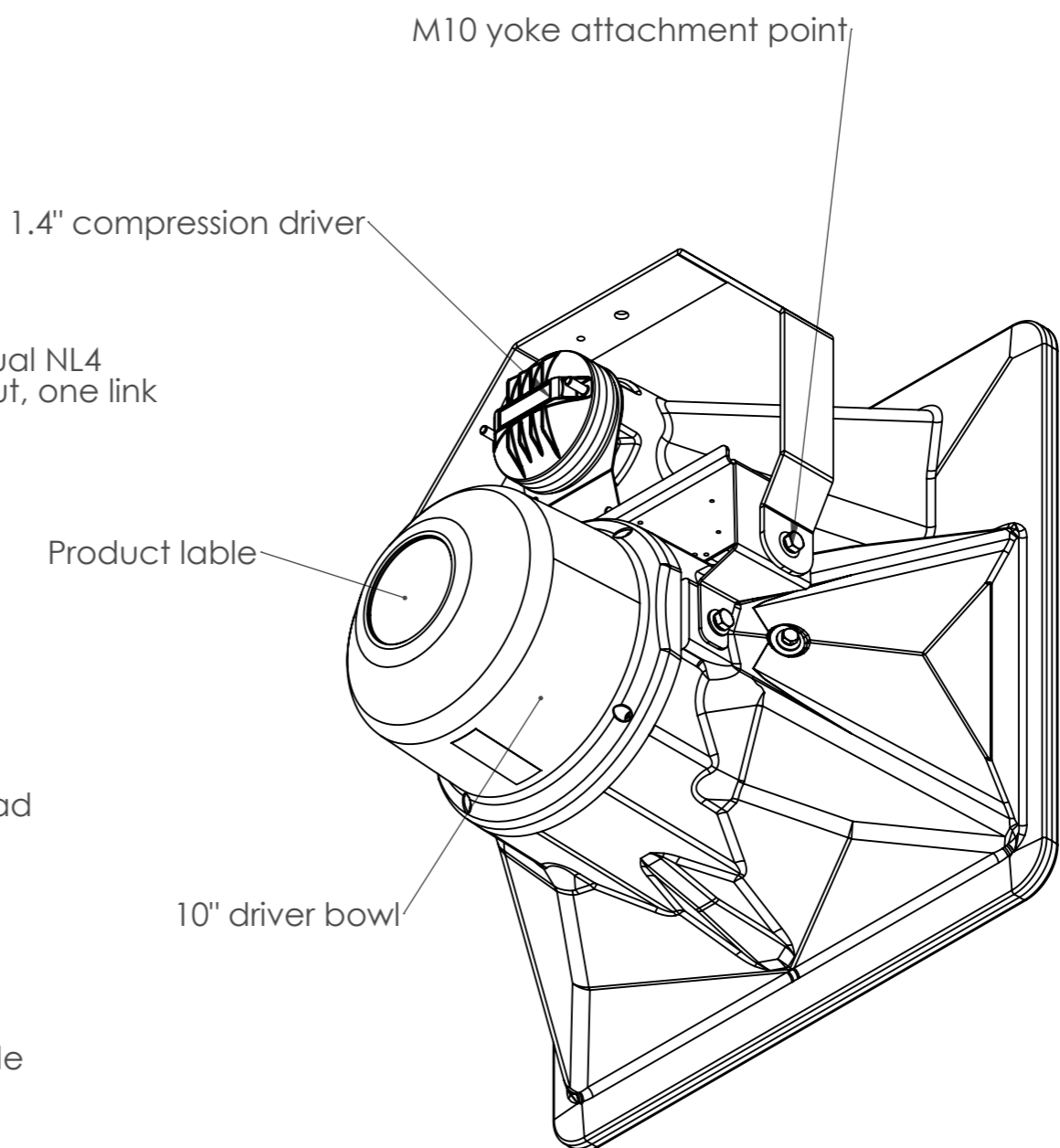
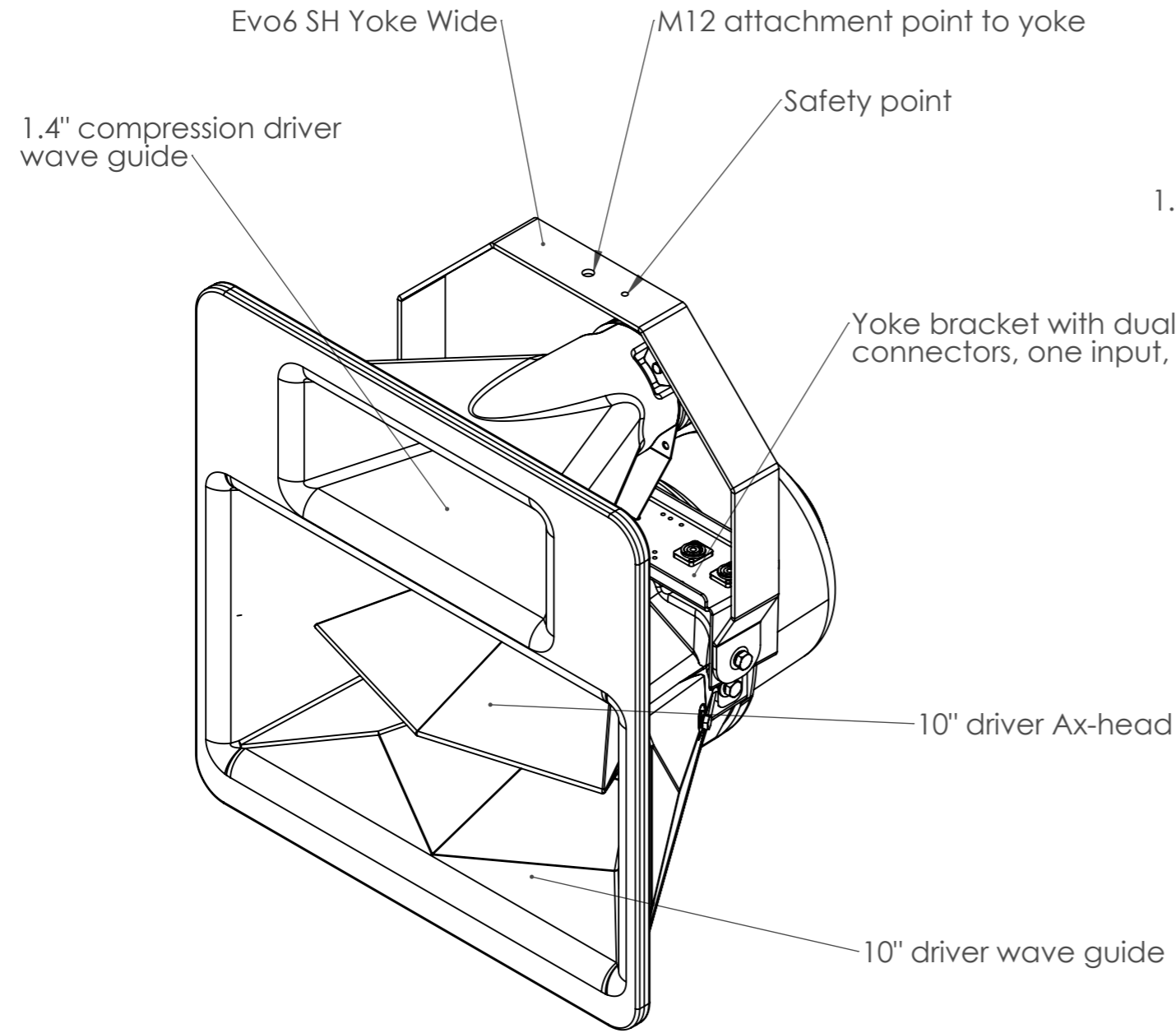


A B C D E F G H I J K L

1
2
3
4
5
6
7
8
9
10



1
2
3
4
5
6
7
8
9
10

A B C D E F G H I J K L

Funktion-One Research LTD
 Hoyle, Beare Green, Dorking, Surrey, RH5 4PS, UK
 mail@funktion-one.com +44 (0)1306 712820

Sheet:Overview
 Funktion-One Product Detail Drawing

A3 Sheet Scale: 1:6

Drawn By: Mike Igglesden

30/09/2021

Filename:

Evo6SH-F1-DD=T0031-00

Evo67SH Yoke Wide is fitted as standard, suitable for top down and bottom up attachment. This larger yoke clears around the back of the loudspeaker enabling 240° of rotation.

Evo67SH Yoke Small is an optional alternative. This yoke does not clear around the back, but offers two attachment points. This is suitable for discreet installation where the loudspeaker should be close mounted.

