

9 off M10 fly points for use with M10 x 35mm eye bolts and F1 installation accessories

Top handle. Loop strap passes through here with ground stack kit.

Recesses for latch keeper required with wheel board

Recessed connector panel with dual NL8M connectors, one input, one link

Product label

8" driver Ax-head

1" compression driver with diffraction waveguide

8" driver wave guide

4 off M8 squaring bracket points

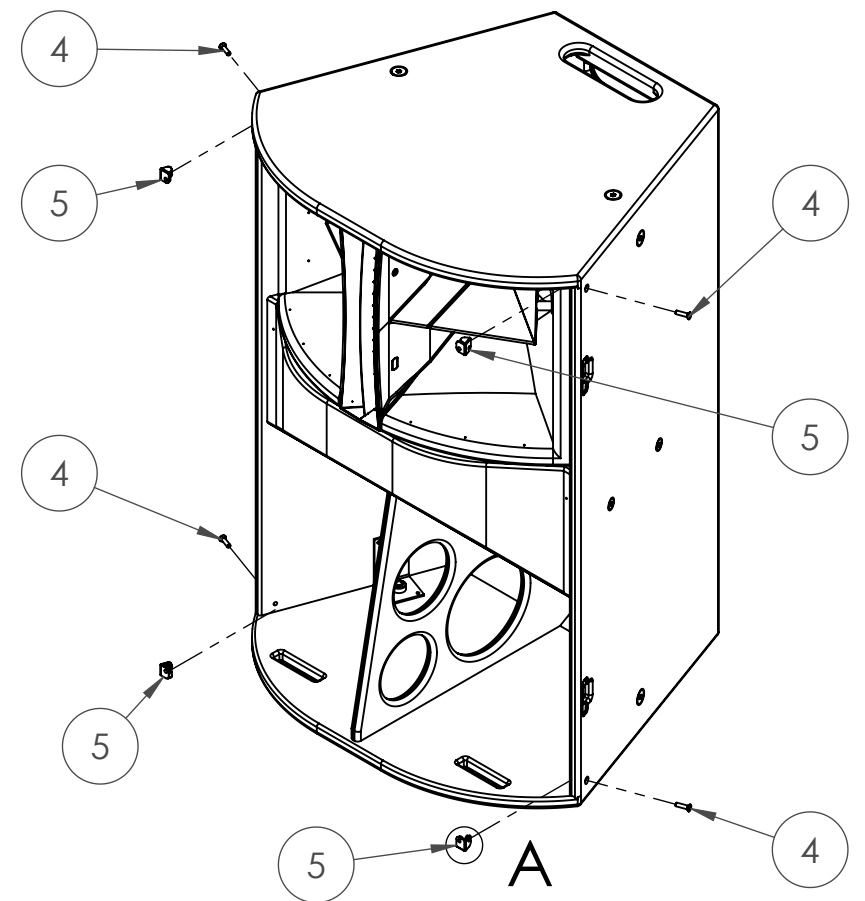
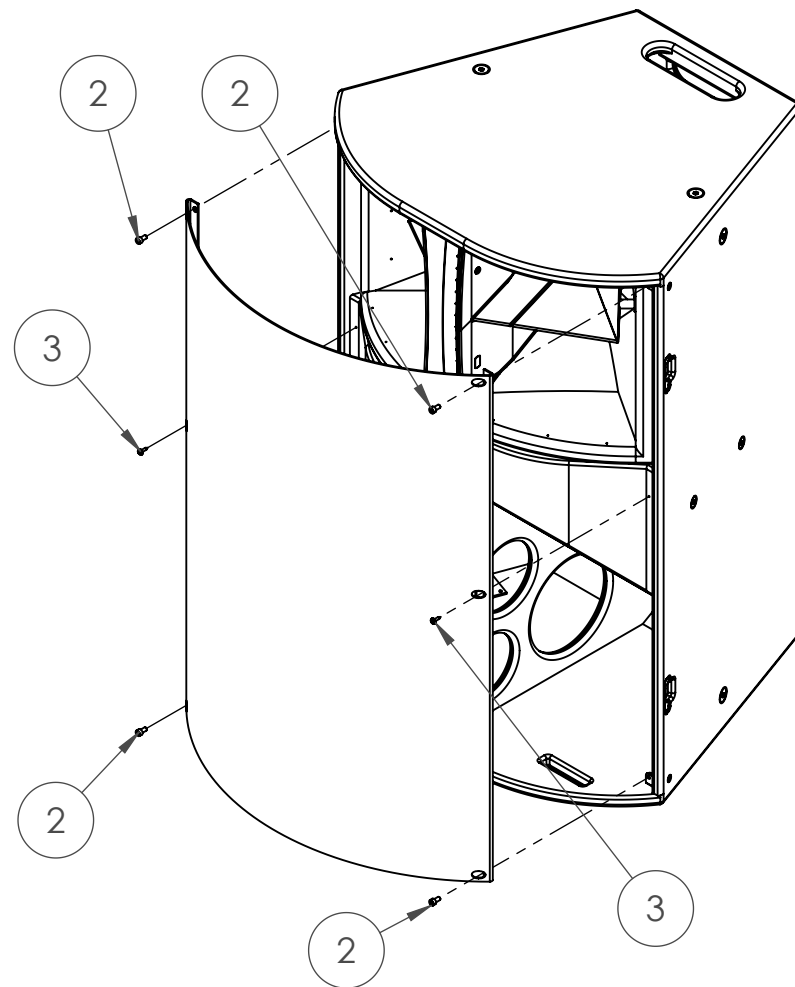
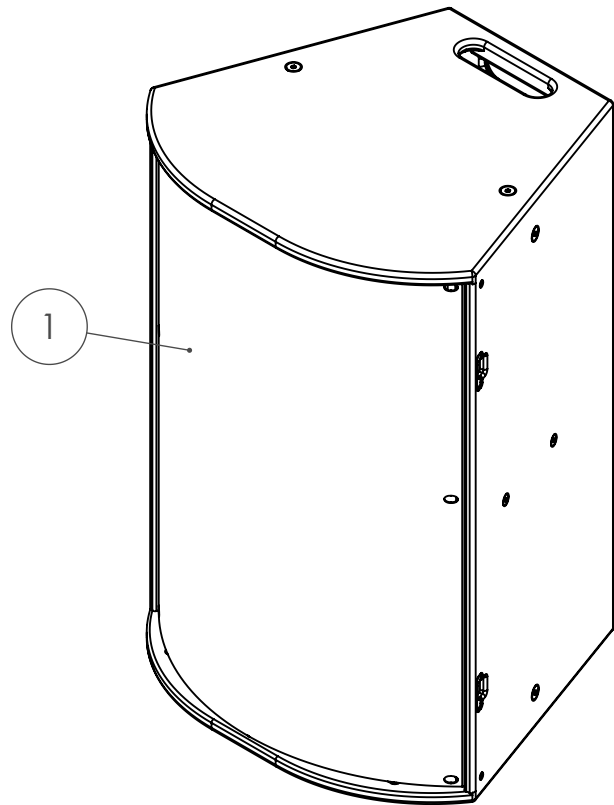
Rear M10 flypoint used to provide tilt

Twin slots required for ground stack kit

Horn brace can be used for manual lifting

15" driver horn

Funktion-One Research LTD Hoyle, Beare Green, Dorking, Surrey, RH5 4PS, UK mail@funktion-one.com +44 (0)1306 712820				Sheet:Overview Funktion-One Product Detail Drawing			A3 Sheet Scale: 1:5 Filename:		Drawn By: Mike Igglesden 22/08/2021		EvoX-F1-DD=T0002-00	
--	--	--	--	---	--	--	----------------------------------	--	--	--	----------------------------	--

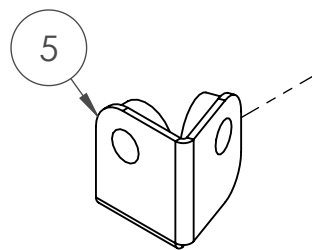


EvoX ordered with grille fitted.
Hex punched 2mm steel, black powder coat and foam backed for discreet aesthetic.

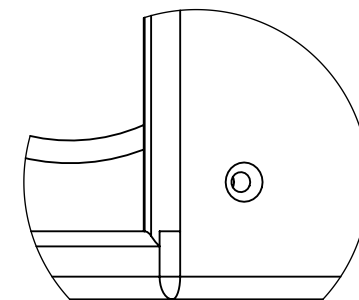
Removal and reattachment of grill with 4 x M5 x 10mm hex socket (4mm) cap head bolts and 2 x 3.5mm x 16mm pozi (PZ2) pan head screws.

Evo X ordered without grille, but grille required to be retro fitted. 4 x Evo X grille brackets to be fitted with M5 x 20mm hex socket (4mm) counter-sunk bolts. Clearance holes for these bolts to be cleared with 5.5mm drill using the pilot holes. To ensure the hole is true, suggest using an intermediate drill, 3-4mm.

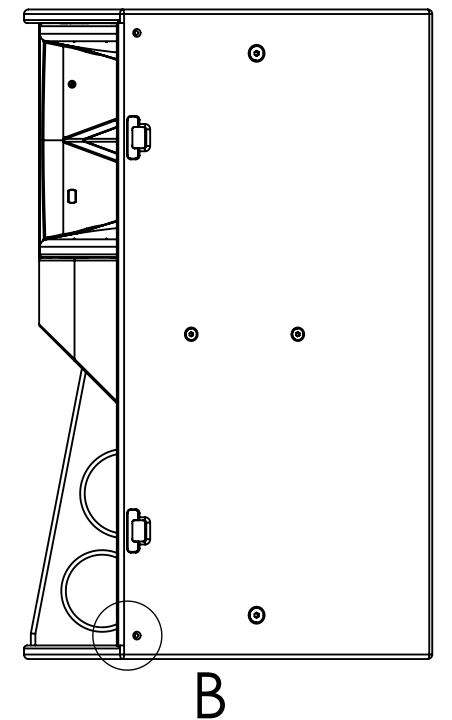
ITEM	DESCRIPTION	QUANTITY
1	EVOX GRILLE, BLACK, HEX PUNCHED, FOAM BACKED	1
2	M5 X 10mm HEX SOCKET CAP HEAD BOLT	4
3	3.5mm X 16mm POZI PAN HEAD SCREW	2
4	M5 X 20mm HEX SOCKET COUNTERSUNK HEAD BOLT	4
5	GRILLE BRACKET, 2 X M5 BUSHES	4

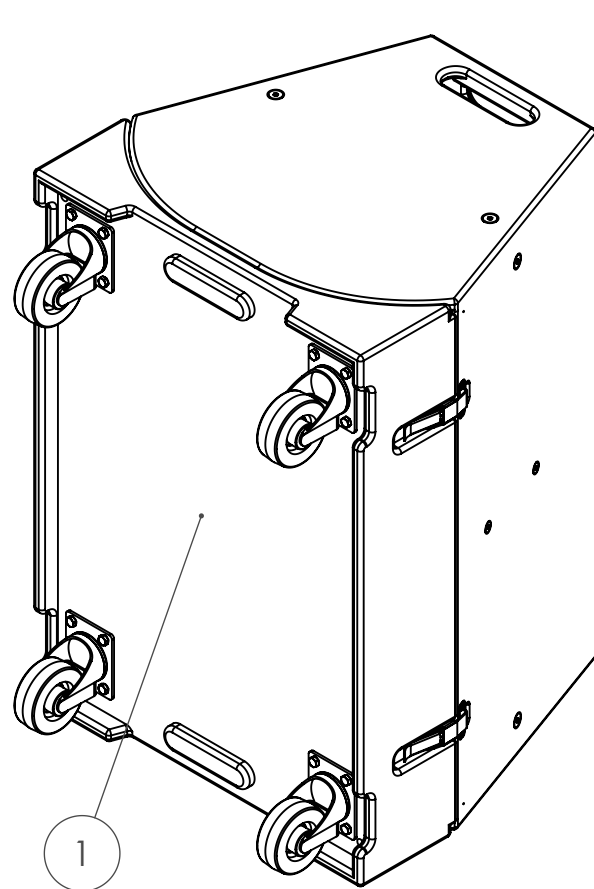


DETAIL A
SCALE 1 : 1

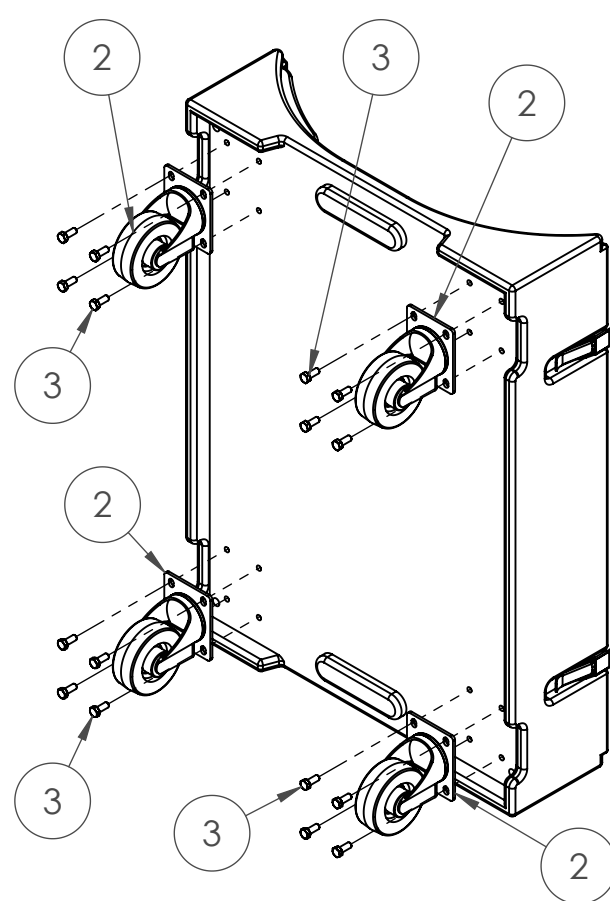


DETAIL B
SCALE 1 : 2

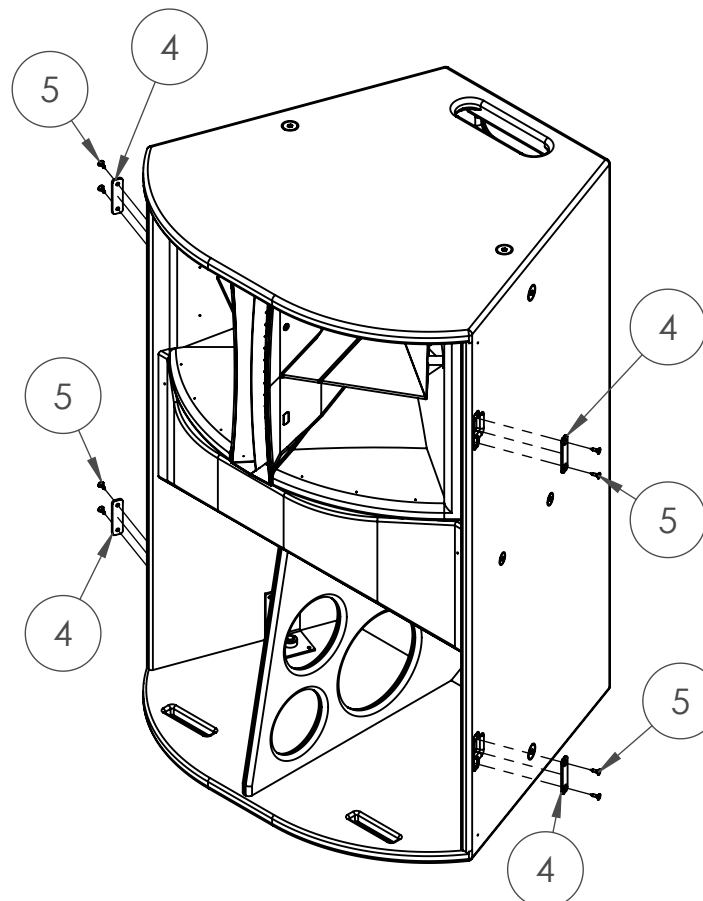




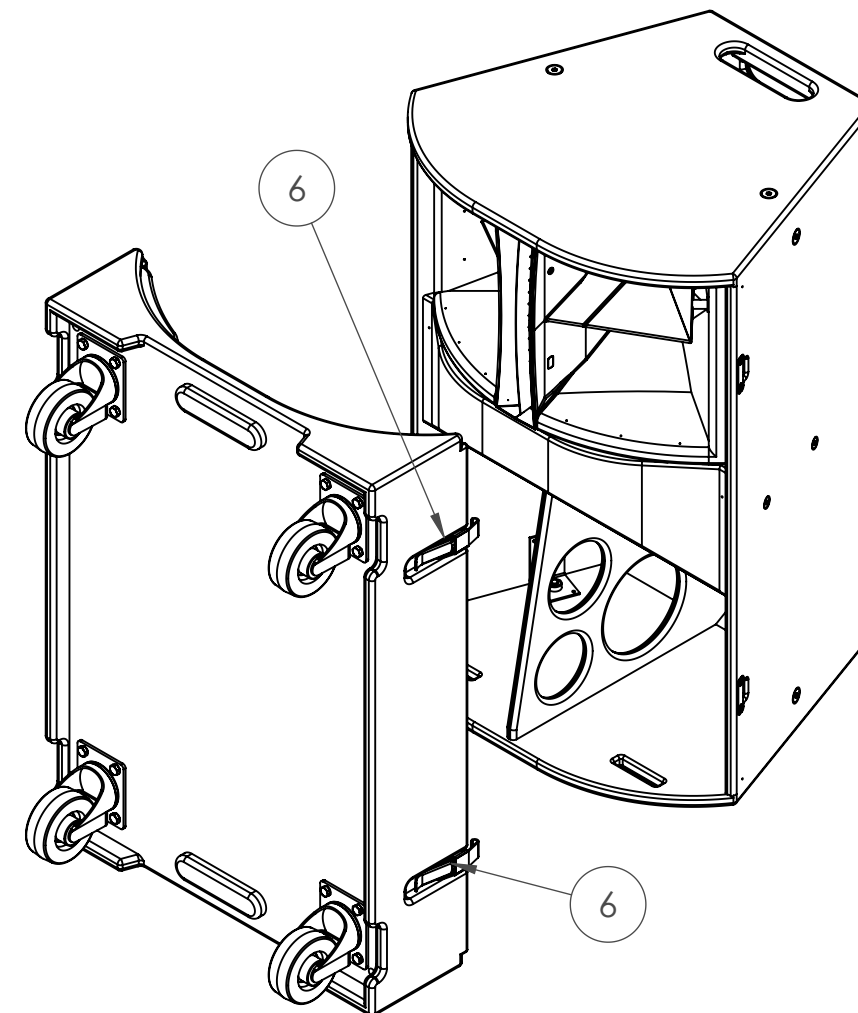
EvoX with Wheel board fitted.



EvoX packed with wheel board, but without wheels fitted. Each wheel requires 4 x M8 x 20mm Hex bolts fitted. We suggest using a contact adhesive on the bolt thread to secure bolts.

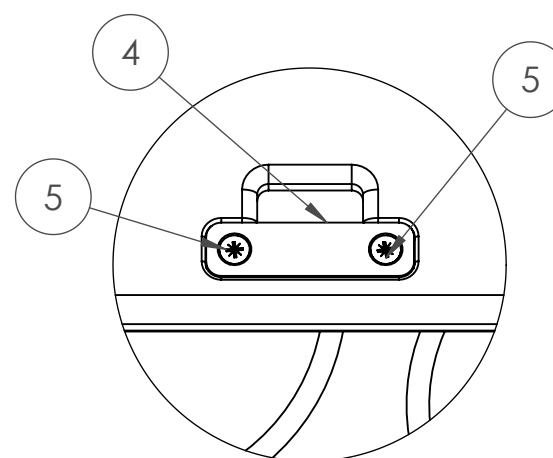


When EvoX ordered without wheel board, but required later, 4 x toggle latch keepers are to be fitted to the EvoX. There are recesses on the cabinet to receive these, they are fitted with 8 x 3.5mm x 12mm pozi (PZ2) countersink head screws.



The 4 x over centre latches hook onto the toggle latch keepers on the EvoX. Should these work loose over time, the latches can be readjusted on their mounting plate for a secure fit.

ITEM	DESCRIPTION	QUANTITY
1	EVOX WHEEL BOARD	1
2	4" CASTOR WHEEL	4
3	M8 X 20mm HEX BOLT	16
4	TOGGLE LATCH KEEPERS	4
5	3.5mm X 12mm POZI COUNTERSUNK HEAD SCREW	8
6	OVER CENTRE LATCHES	4



DETAIL E
SCALE 1 : 2

