

Funktion-One Research LTD  
 Hoyle, Beare Green, Dorking, Surrey, RH5 4PS, UK  
 mail@funktion-one.com +44 (0)1306 712820

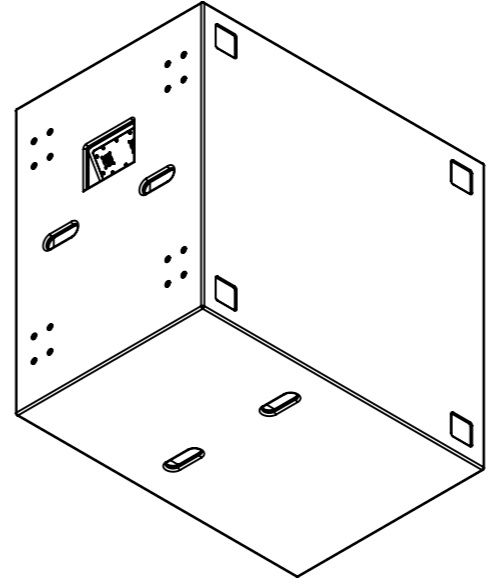
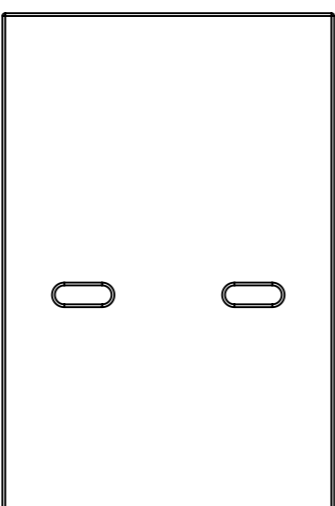
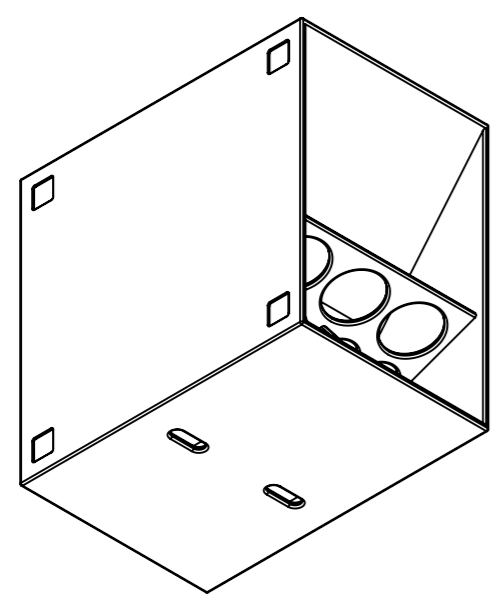
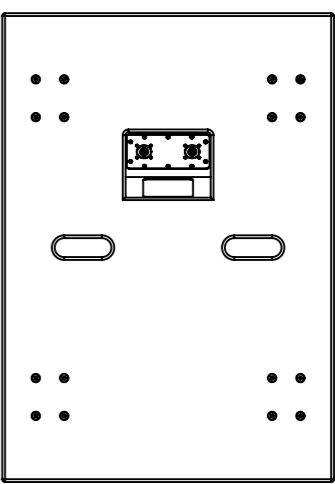
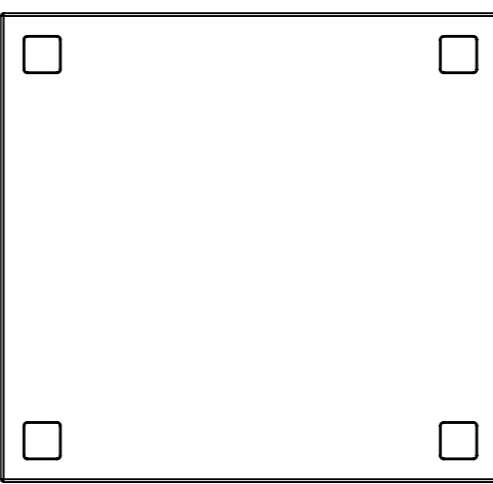
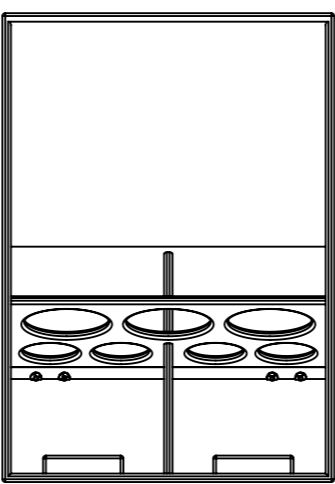
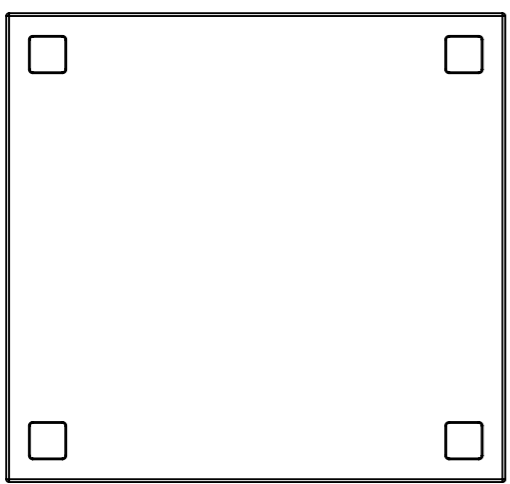
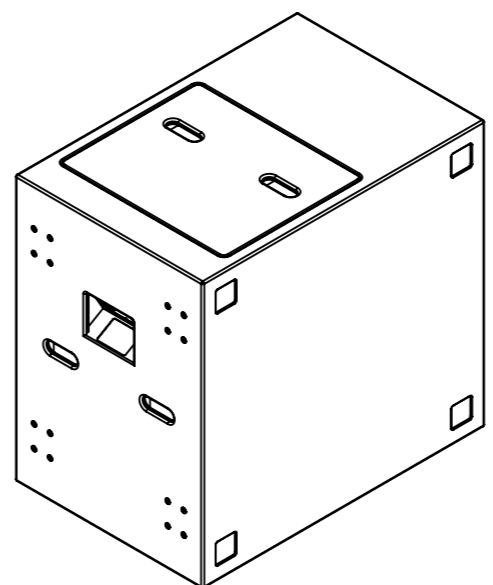
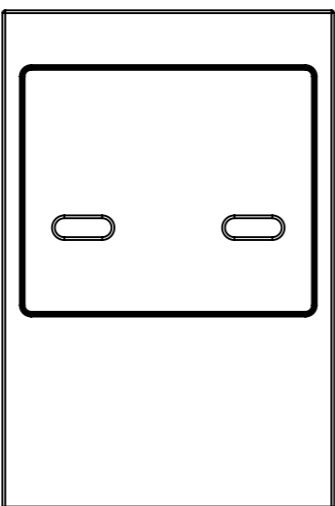
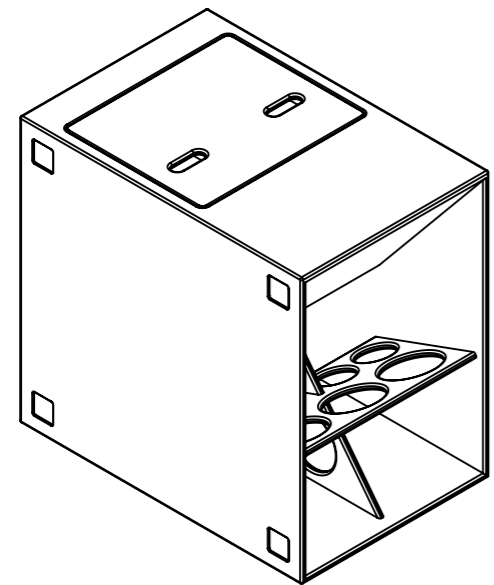
Sheet: Dimensions  
 Funktion-One Product Technical Drawing

A3 Sheet Scale: 1:16

Drawn By: Mike Igglesden 20/10/2023

Filename:

F124-F1-TD=T0220-00

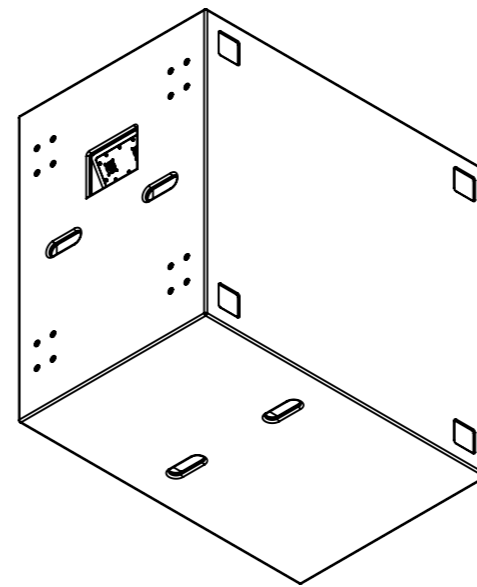
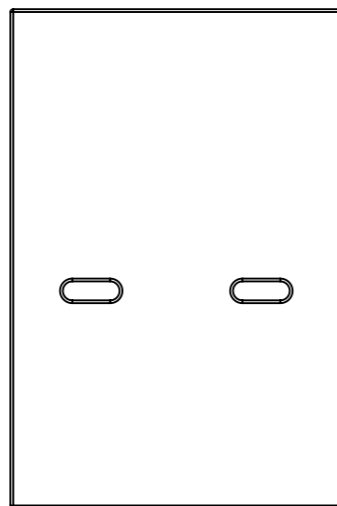
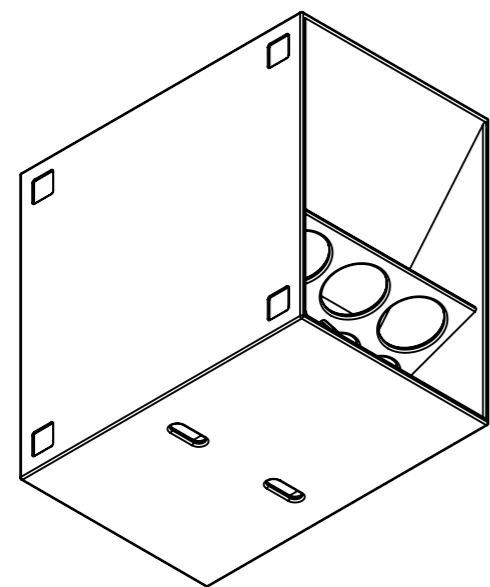
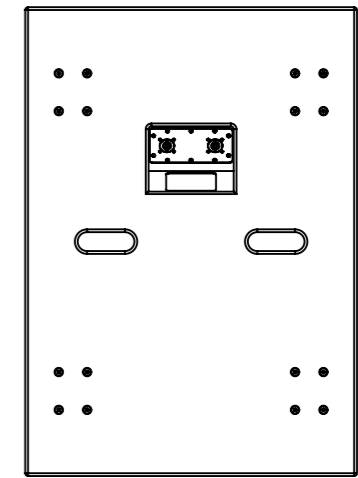
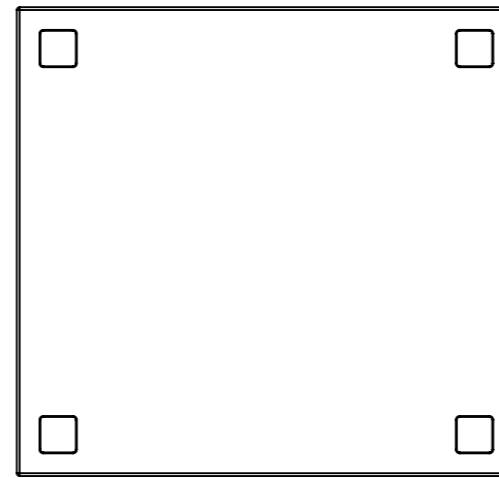
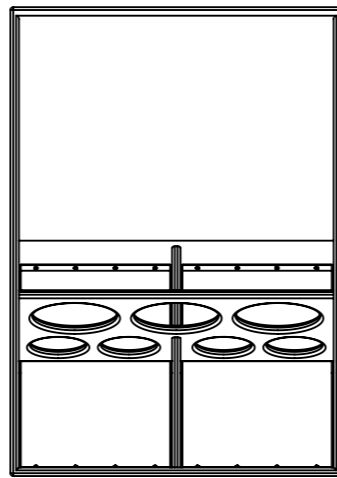
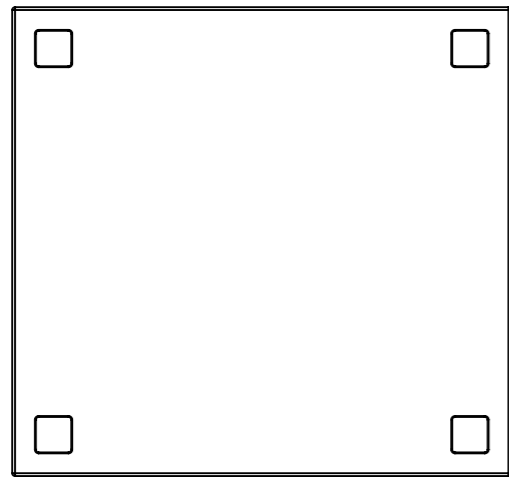
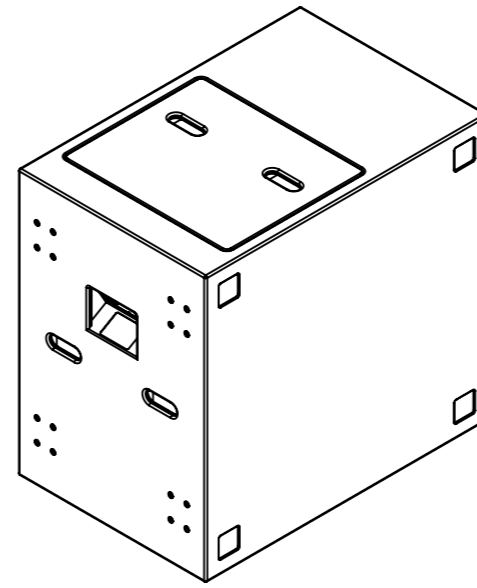
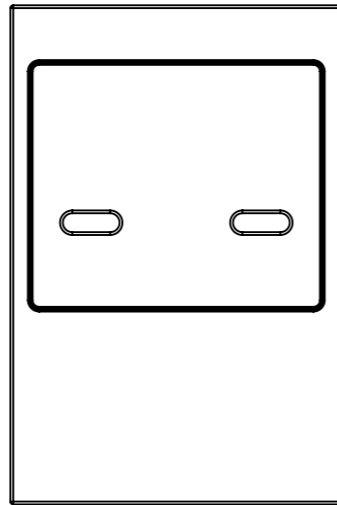
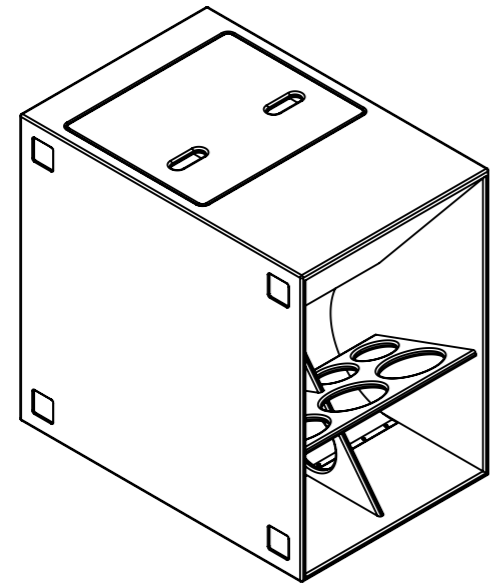


Funktion-One Research LTD  
 Hoyle, Beare Green, Dorking, Surrey, RH5 4PS, UK  
 mail@funktion-one.com +44 (0)1306 712820

Sheet: Standard  
 Funktion-One Product Technical Drawing

A3 Sheet Scale: 1:16  
 Filename:

Drawn By: Mike Igglesden 20/10/2023  
**F124-F1-TD=T0220-00**



Funktion-One Research LTD  
 Hoyle, Beare Green, Dorking, Surrey, RH5 4PS, UK  
 mail@funktion-one.com +44 (0)1306 712820

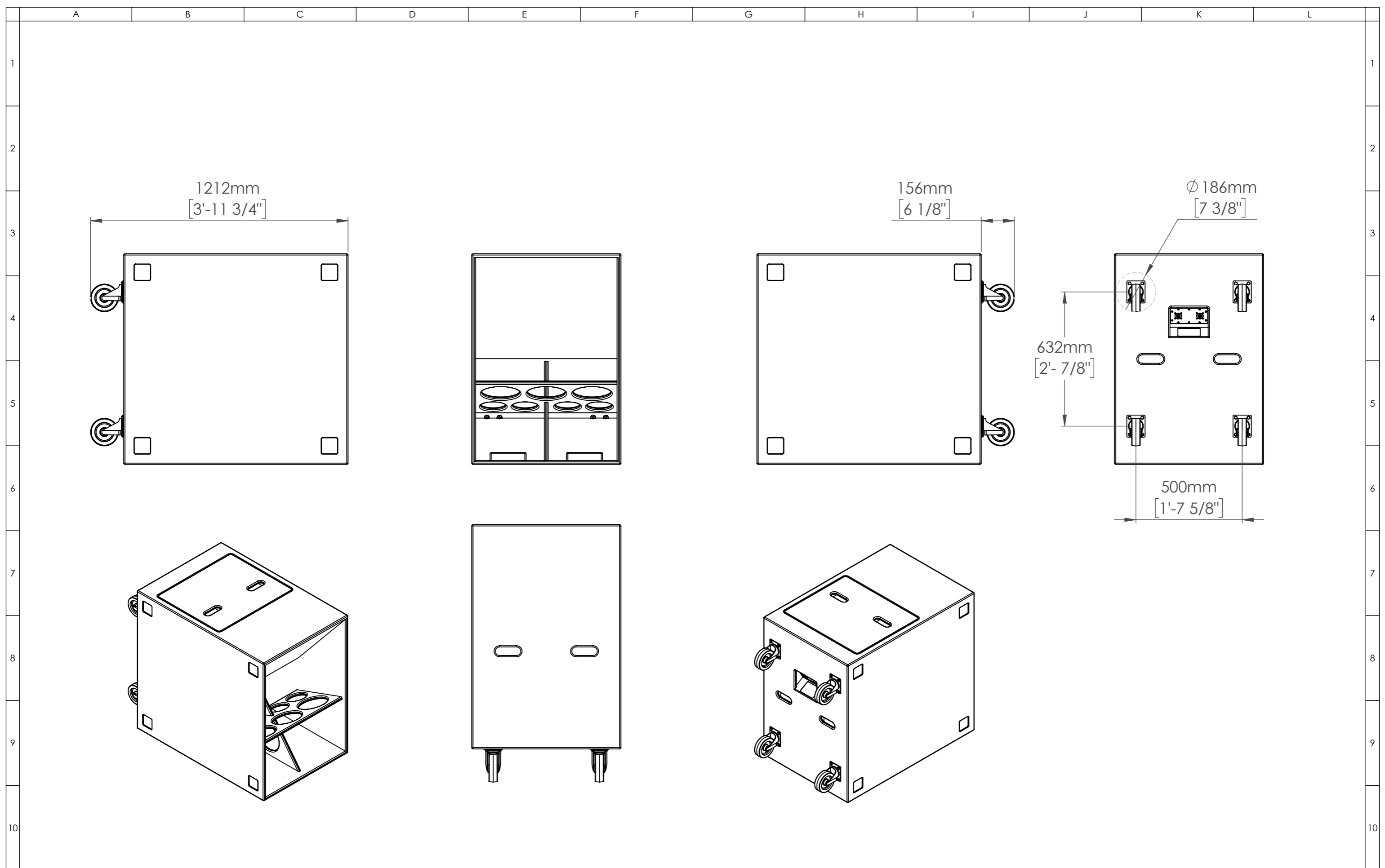
Sheet: Grille  
 Funktion-One Product Technical Drawing

A3 Sheet Scale: 1:16

Drawn By: Mike Igglesden 20/10/2023

Filename:

F124-F1-TD=T0220-00



Funktion-One Research LTD  
 Hoyle, Beare Green, Dorking, Surrey, RH5 4PS, UK  
 mail@funktion-one.com +44 (0)1306 712820

Sheet: Wheels  
 Funktion-One Product Technical Drawing

A3 Sheet Scale: 1:16  
 Filename:

Drawn By: Mike Igglesden 20/10/2023  
**F124-F1-TD=T0220-00**