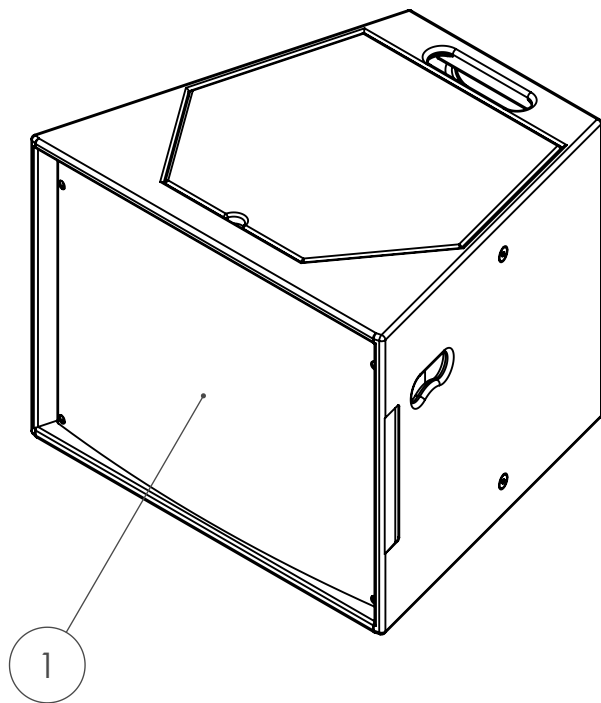


Funktion-One Research LTD
 Hoyle, Beare Green, Dorking, Surrey, RH5 4PS, UK
 mail@funktion-one.com +44 (0)1306 712820

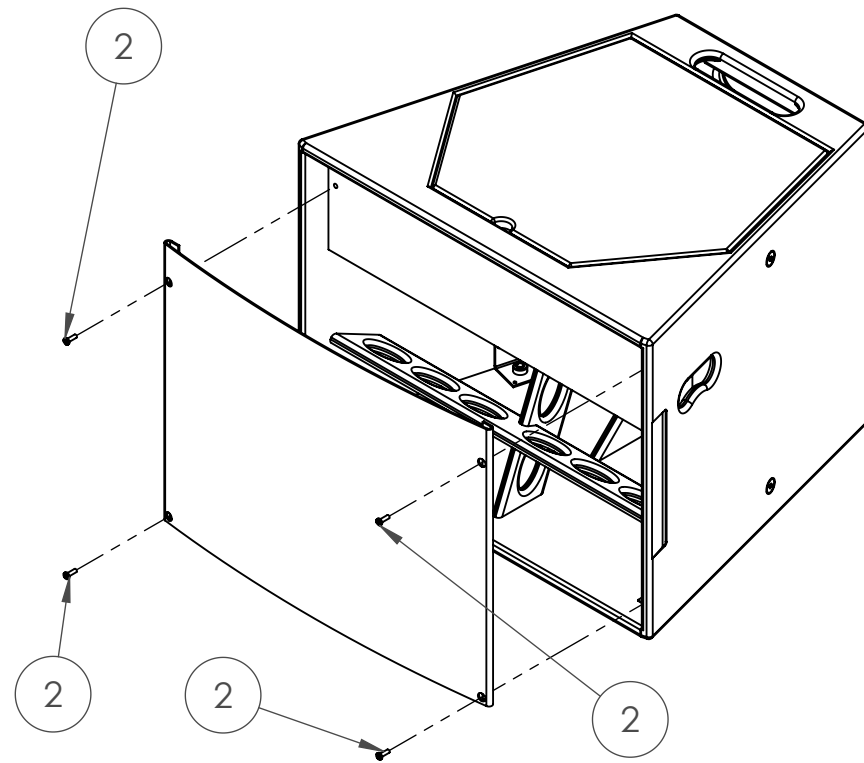
Sheet: Overview
 Funktion-One Product Detail Drawing

A3 Sheet Scale: 1:6
 Filename:

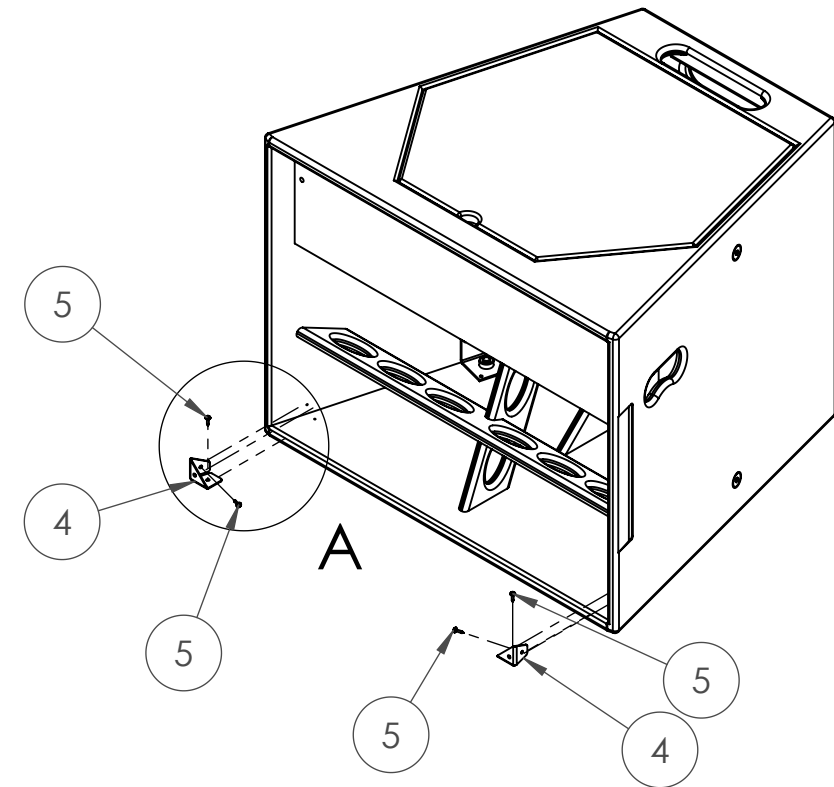
Drawn By: Mike Igglesden 24/10/2022
Evo7EL-F1-DD=T0091-00



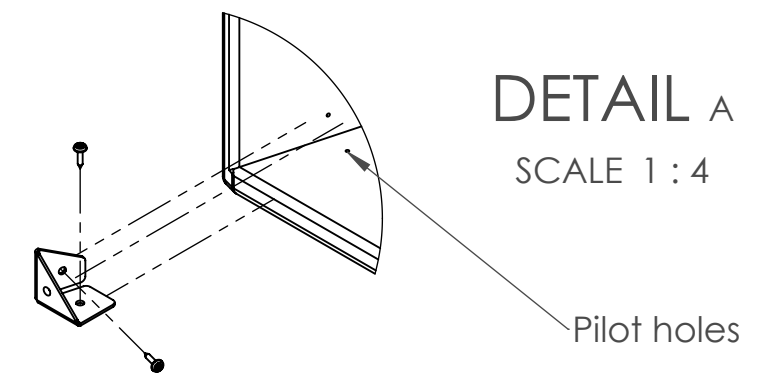
Evo 7EL ordered with grille fitted. Hex punched 2mm steel, black powder coat and foam backed for discreet aesthetic.



Removal and reattachment of grille with 2 x M5 x 16mm pozi (PZ2) pan head bolts and 2 x M5 x 25mm pozi (PZ2) pan head bolts.



Evo7EL ordered without grille, but grille required to be retro fitted. 2 x Evo7 grille brackets to be fitted with 2 x 3.5mm x 12mm pozi (PZ2) pan head screws per bracket. Fitment and location of grille brackets set with the use of the pilot holes.



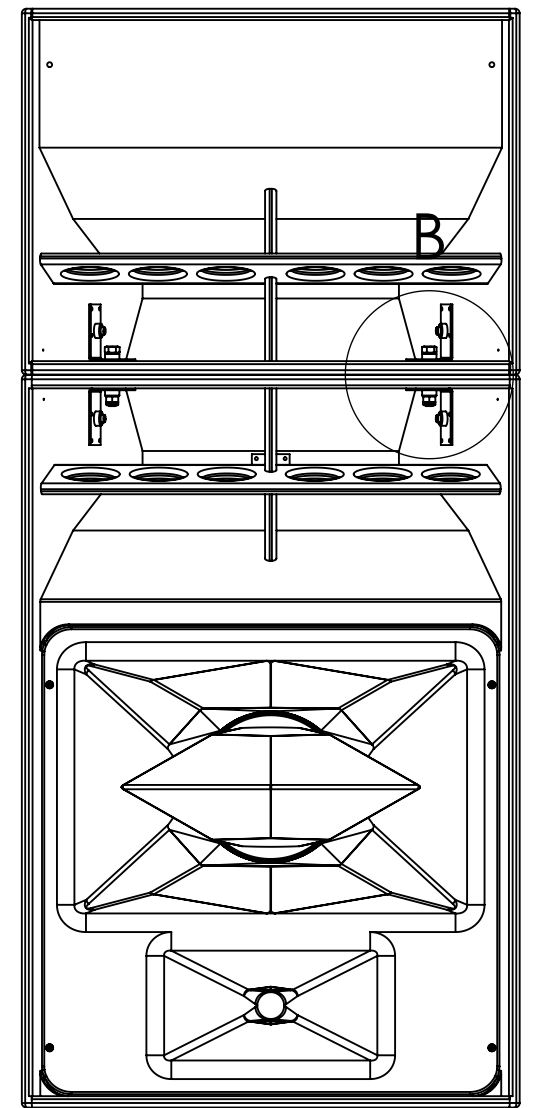
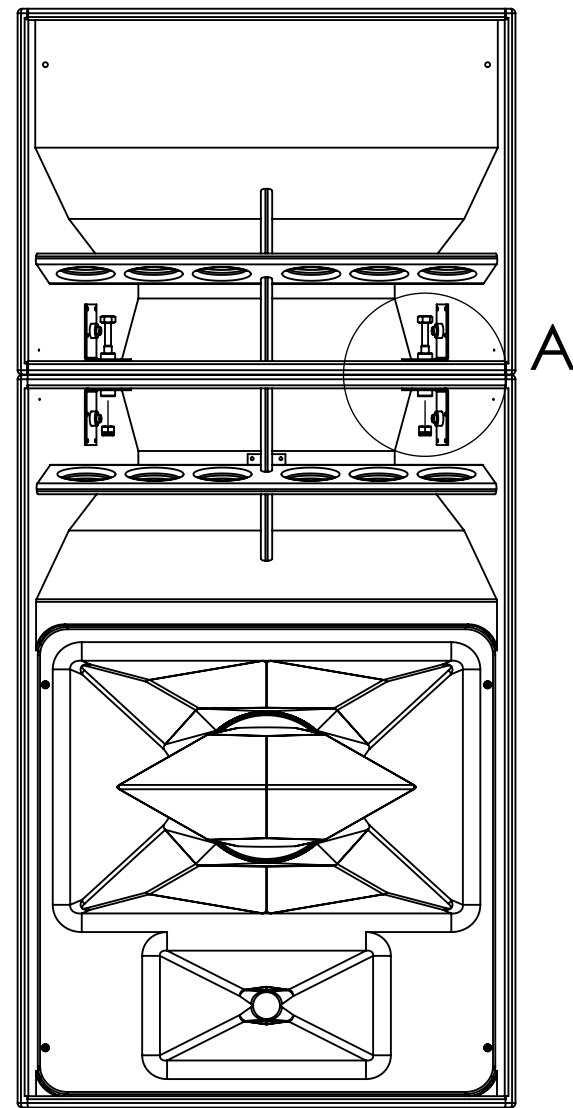
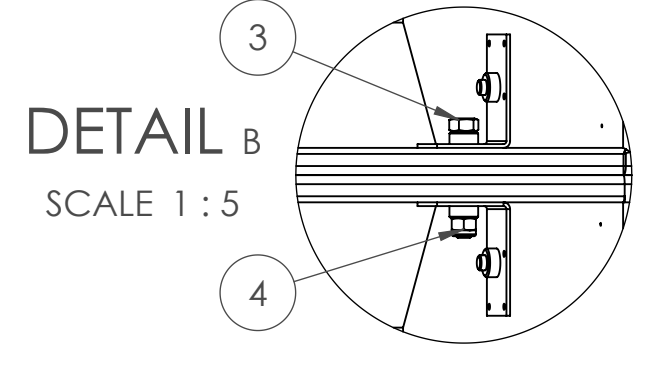
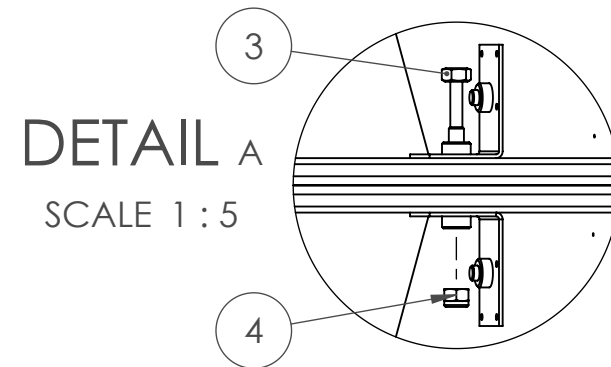
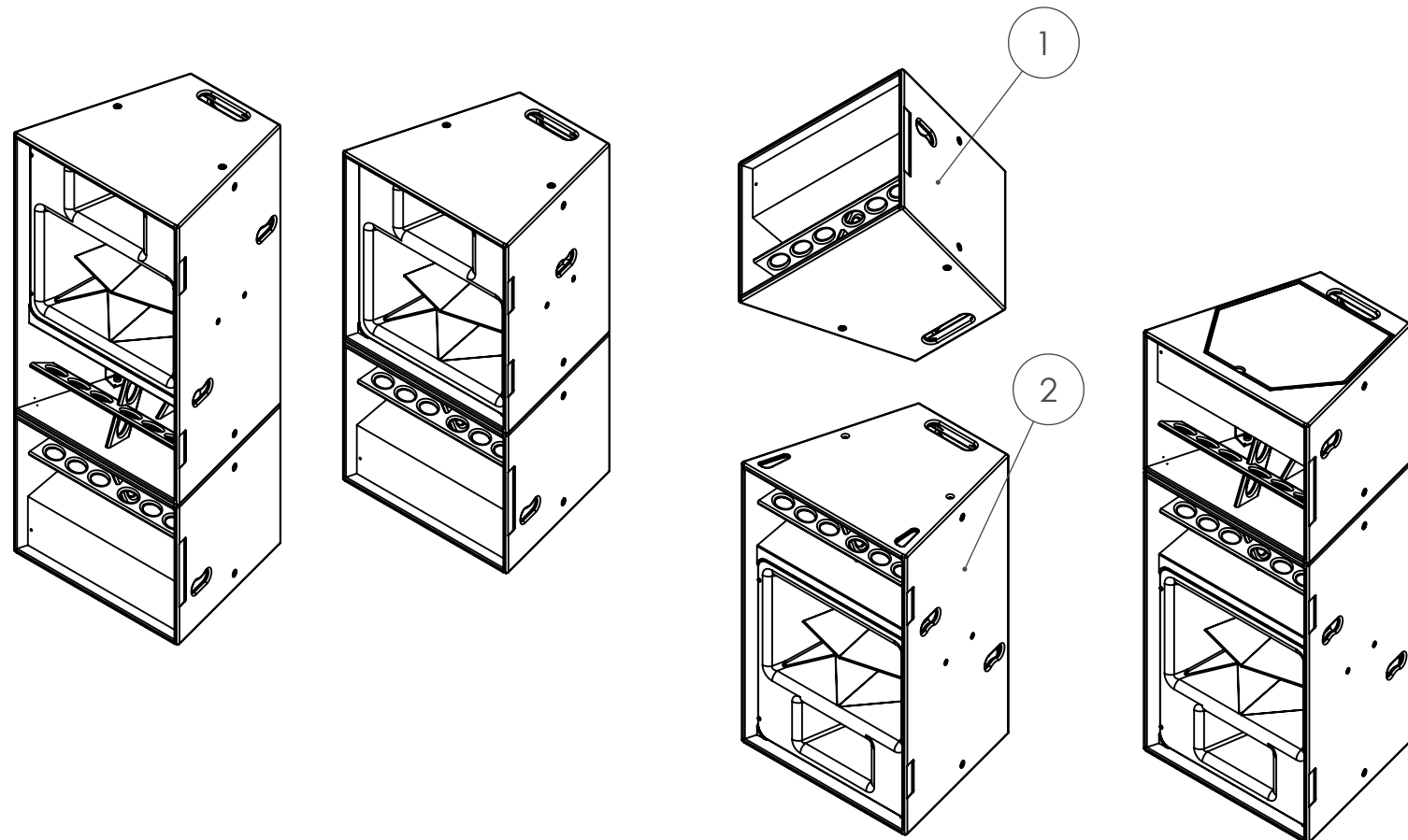
ITEM	DESCRIPTION	QUANTITY
1	EVO7EL GRILLE, HEX PUNCHED, FOAM BACKED	1
2	M5 X 25mm POZI PAN HEAD BOLT	2
3	M5 X 16mm POZI PAN HEAD BOLT	2
4	EVO7 GRILLE BRACKET, M5 BUSH	2
5	3.5mm X 12mm POZI PAN HEAD SCREW	4

The Evo7EL can be bolted to an Evo7E to increase the low mid frequency output. It can also be attached to an Evo7EH for a modular version of an Evo7E or to another Evo6EL. It can be bolted to either the top or bottom face of the Evo7E and Evo7EH.

To attach an Evo7EL to an Evo7E. The M10 blanking bolts on both the mating face must be removed. Then place the Evo7EL on top of the Evo7E

Through the Evo7EL 15" horn, thread the M10 x 70mm special turned down bolt (17mm) into the M10 flypoint. Once it passes through the flypoint, it will drop down allowing you to thread into the flypoint of the Evo7E.

Repeat on with other bolt on other side. Once you have tightly threaded both bolts into the Evo7E, secure with a M10 lock nuts (17mm).



ITEM	DESCRIPTION	QUANTITY
1	EVO7EL	1
2	EVO7E	1
3	M10 X 70mm SPECIAL TURNED DOWN BOLT	2
4	M10 NYLOCK NUT	2