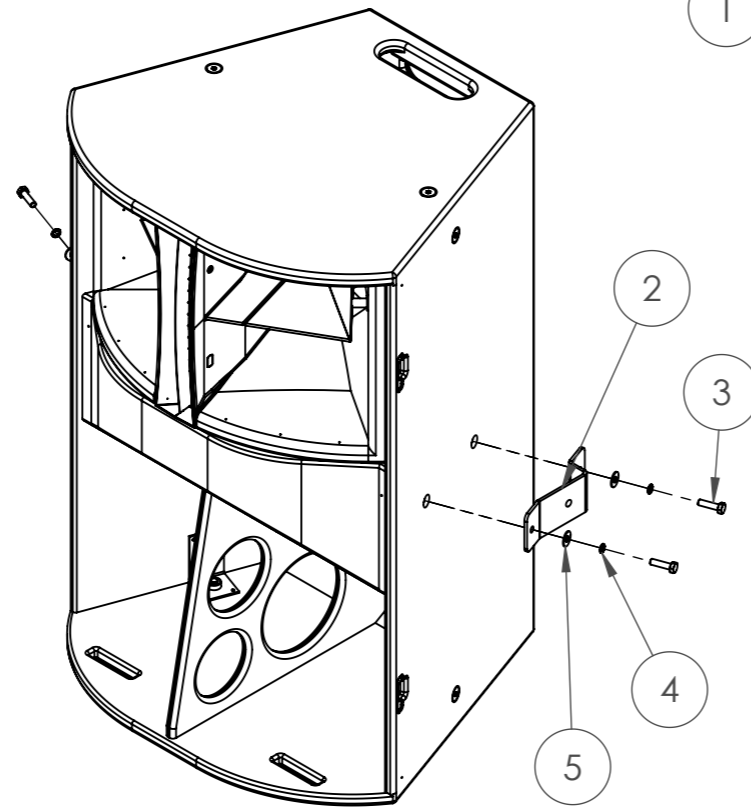
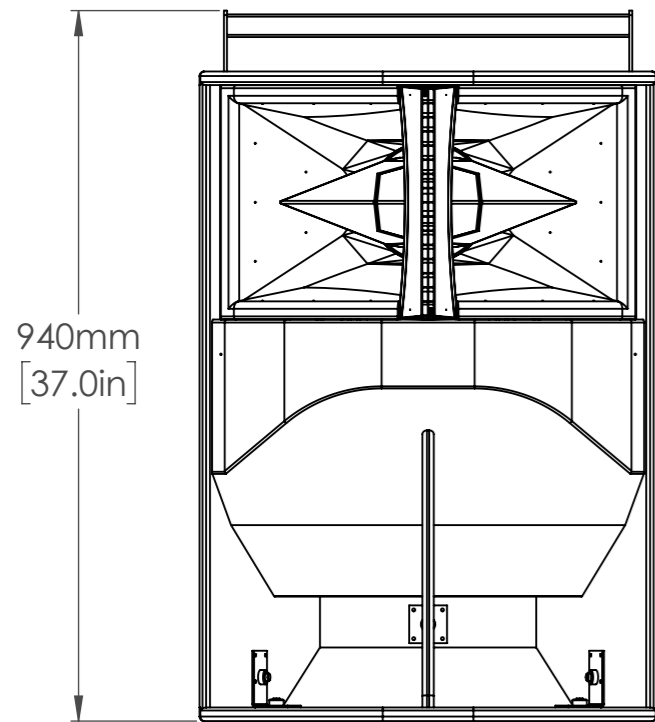
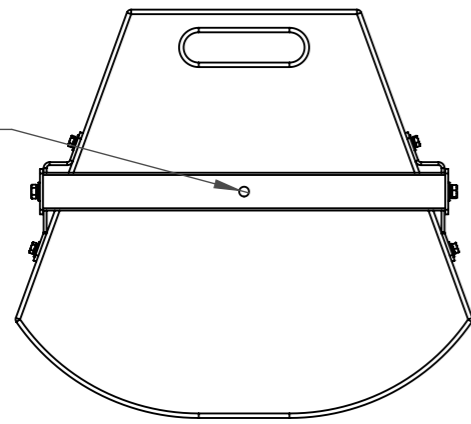
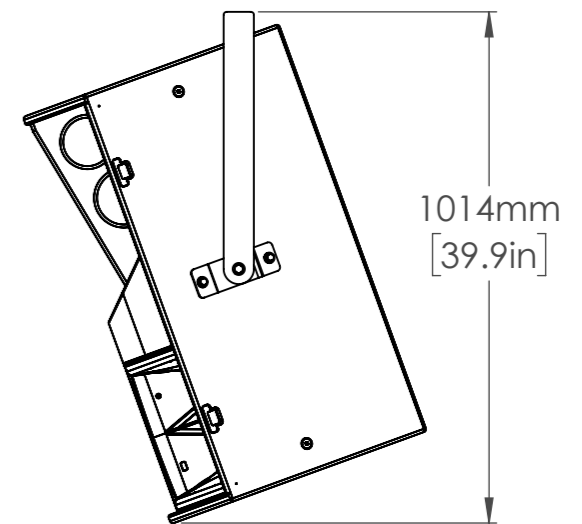
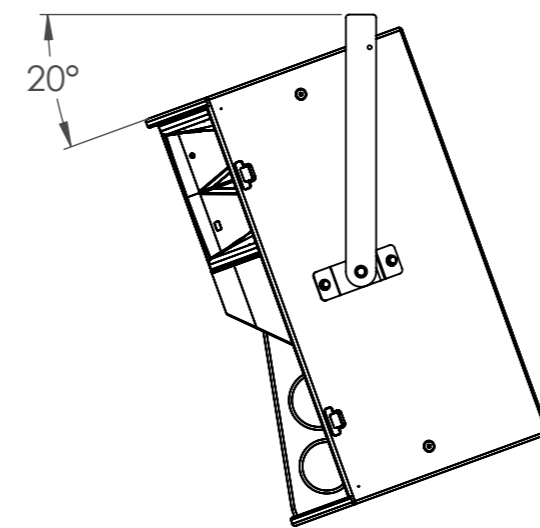


Ø 13mm
[0.5in]



To mount the SB6 squaring brackets, remove the 4 x M8 blanking bolts on the cabinet. Fit the brackets with 2 x M8 x 30mm Hex Bolts, split washer & C-form washer per bracket. Keep the blanking bolts as these are required to seal the cabinet should you remove the brackets.

The YSX yoke fits to the brackets with 1 x M10 x 30mm hex bolt, 1 x split washer and 1 x C-form washer per side. The nitrile washer fits between the yoke and the bracket.



Maximum possible downward tilt is 20°. Often optimum installation is with the cabinet upside down with the bottom of the cabinet at 2.2 - 2.4m. Yoke does not pass all the way round the back. Remove and reattach the yoke only to change orientation.

ITEM	DESCRIPTION	QUANTITY
1	YSX - EVOX YOKE	1
2	SB6 - 20 DEGREE SQUARING BRACKET WITH M10 BUSH	2
3	M8 X 30mm HEX BOLT	4
4	M8 SPLIT WASHER	4
5	M8 C-FORM WASHER	4
6	M10 X 30mm HEX BOLT	2
7	M10 SPLIT WASHER	2
8	M10 C-FORM WASHER	2
9	M10 NITRILE WASHER	2