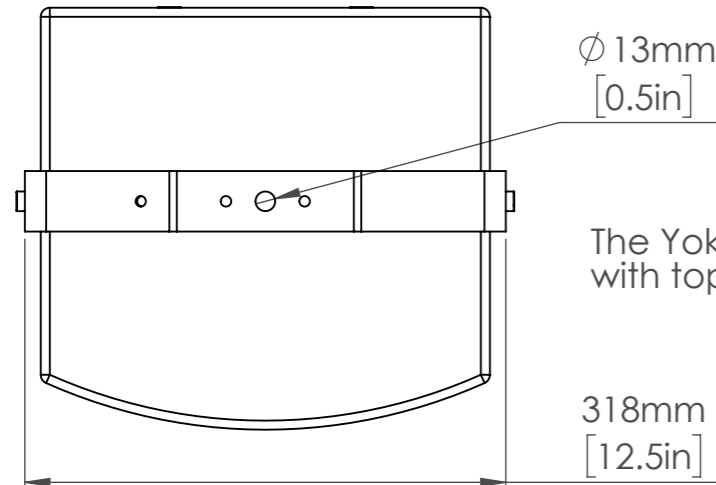
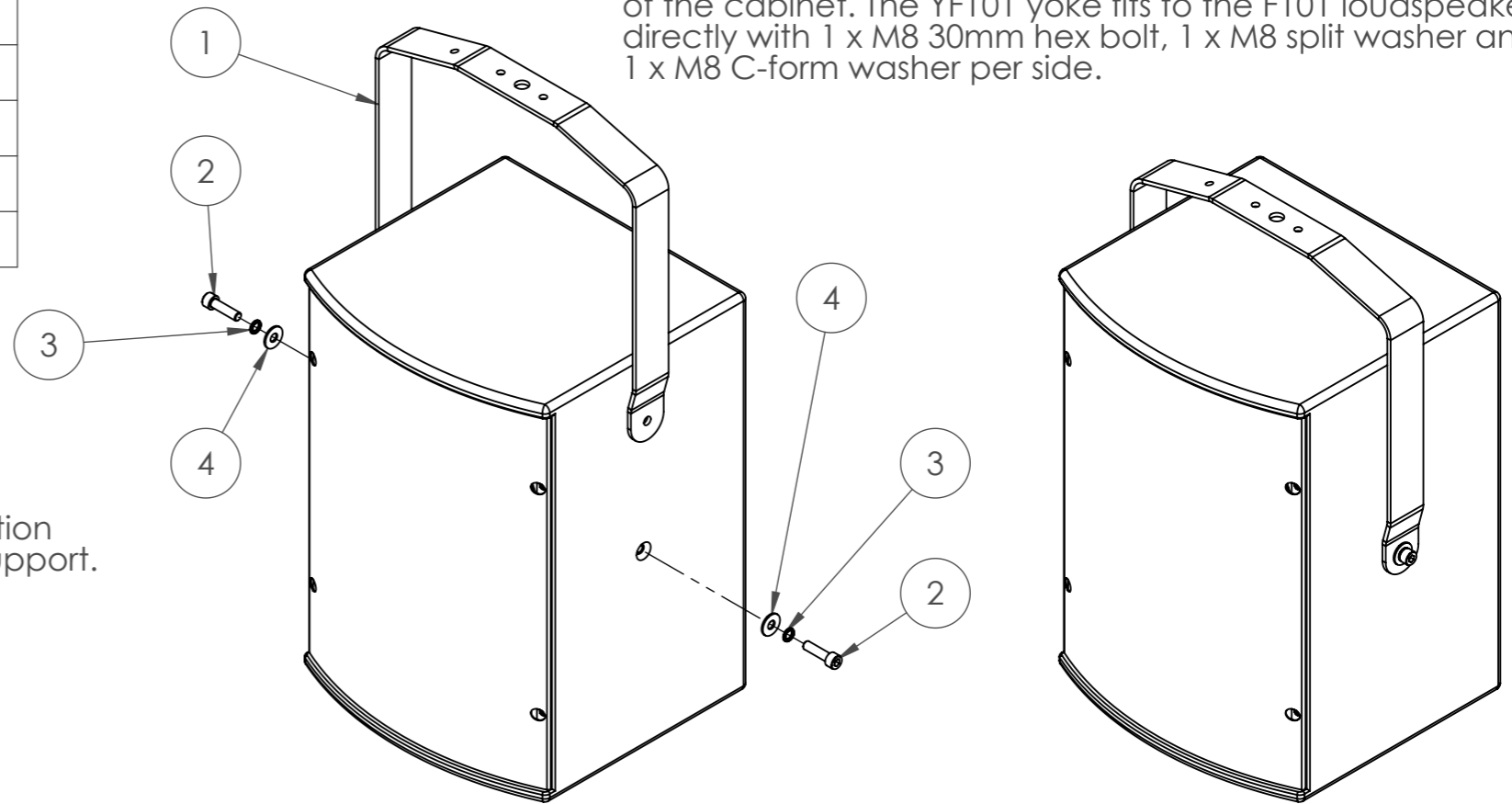
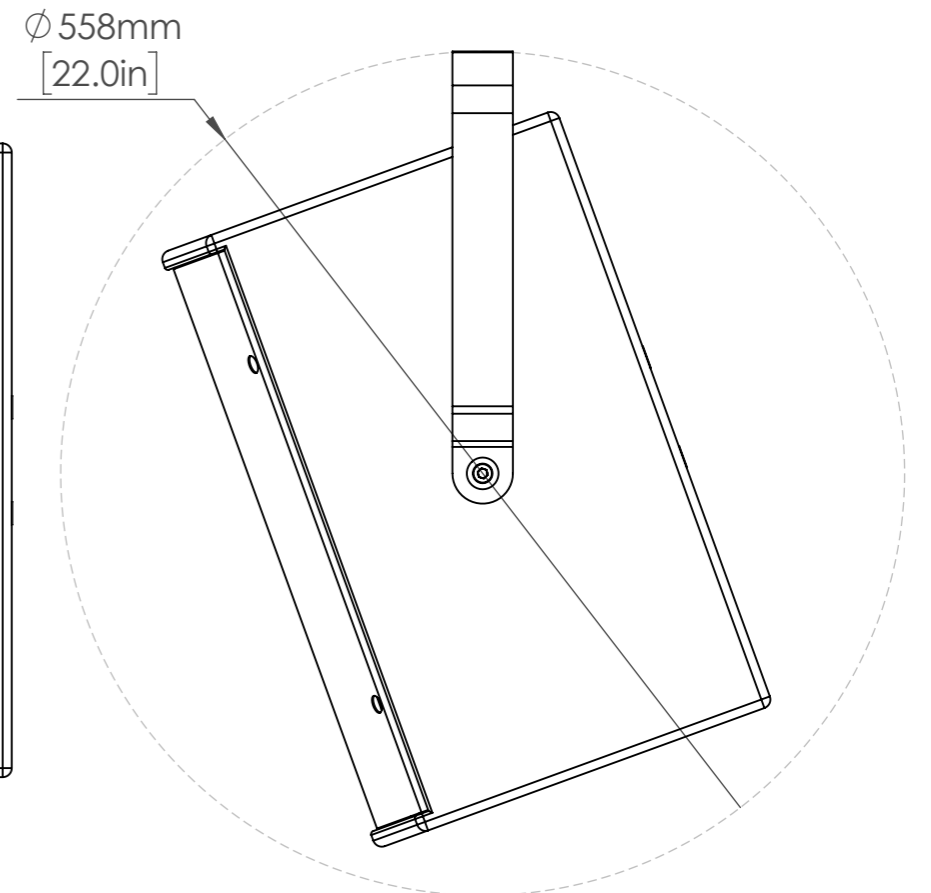
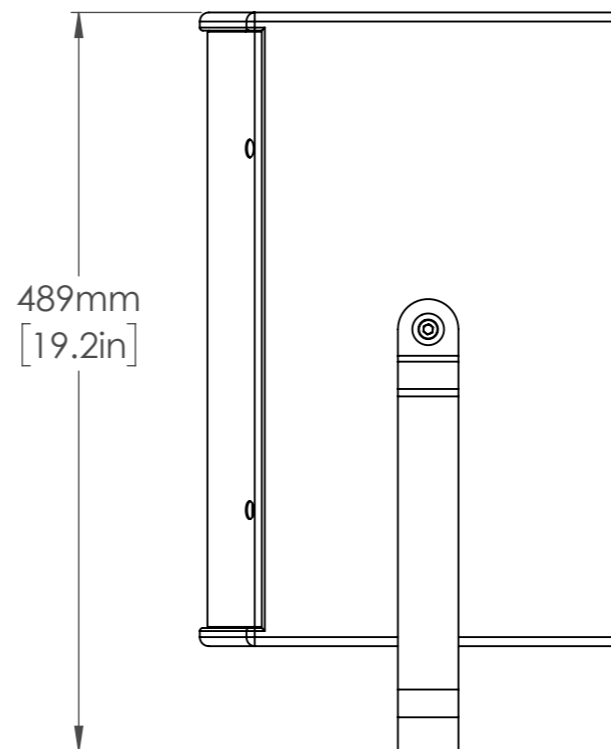
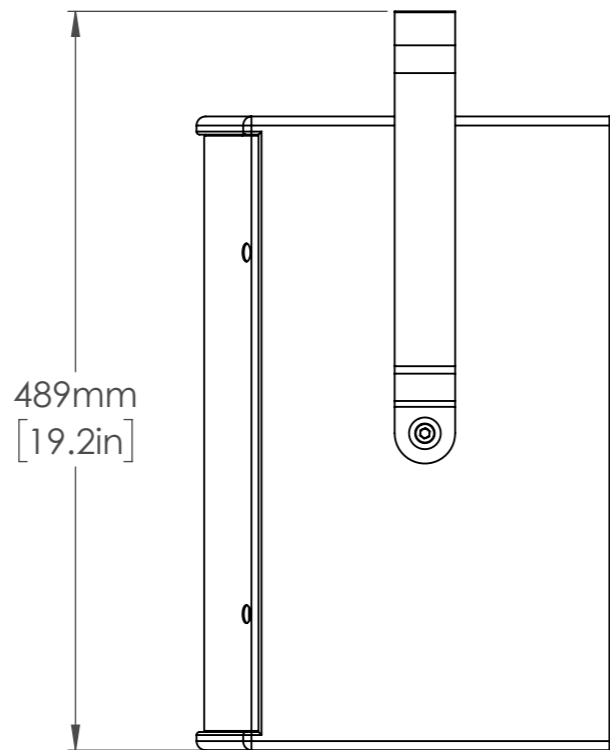
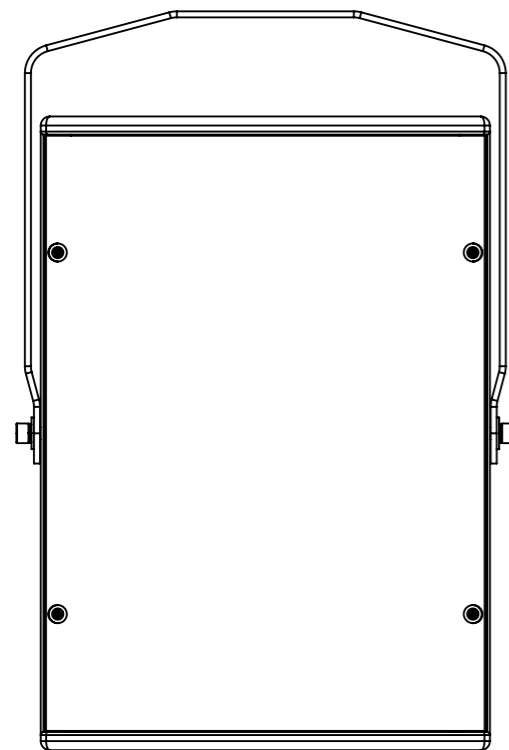


ITEM	DESCRIPTION	QUANTITY
1	YF101 - F101 YOKE	1
2	M8 X 30mm HEX BOLT	2
3	M8 C-FORM WASHER	2
4	M8 SPLIT WASHER	2

To mount YF101, remove 2 x M8 blanking bolts on the side of the cabinet. The YF101 yoke fits to the F101 loudspeaker directly with 1 x M8 30mm hex bolt, 1 x M8 split washer and 1 x M8 C-form washer per side.



The Yoke provides 360° of rotation with top down or bottom up support.



Funktion-One Research LTD
 Hoyle, Beare Green, Dorking, Surrey, RH5 4PS, UK
 mail@funktion-one.com +44 (0)1306 712820

Sheet: Overview
 Funktion-One Product Detail Drawing

A3 Sheet Scale: 1:5
 Filename:

Drawn By: Mike Igglesden 14/12/2021

F101+YF101-F1-DD=T0058-00