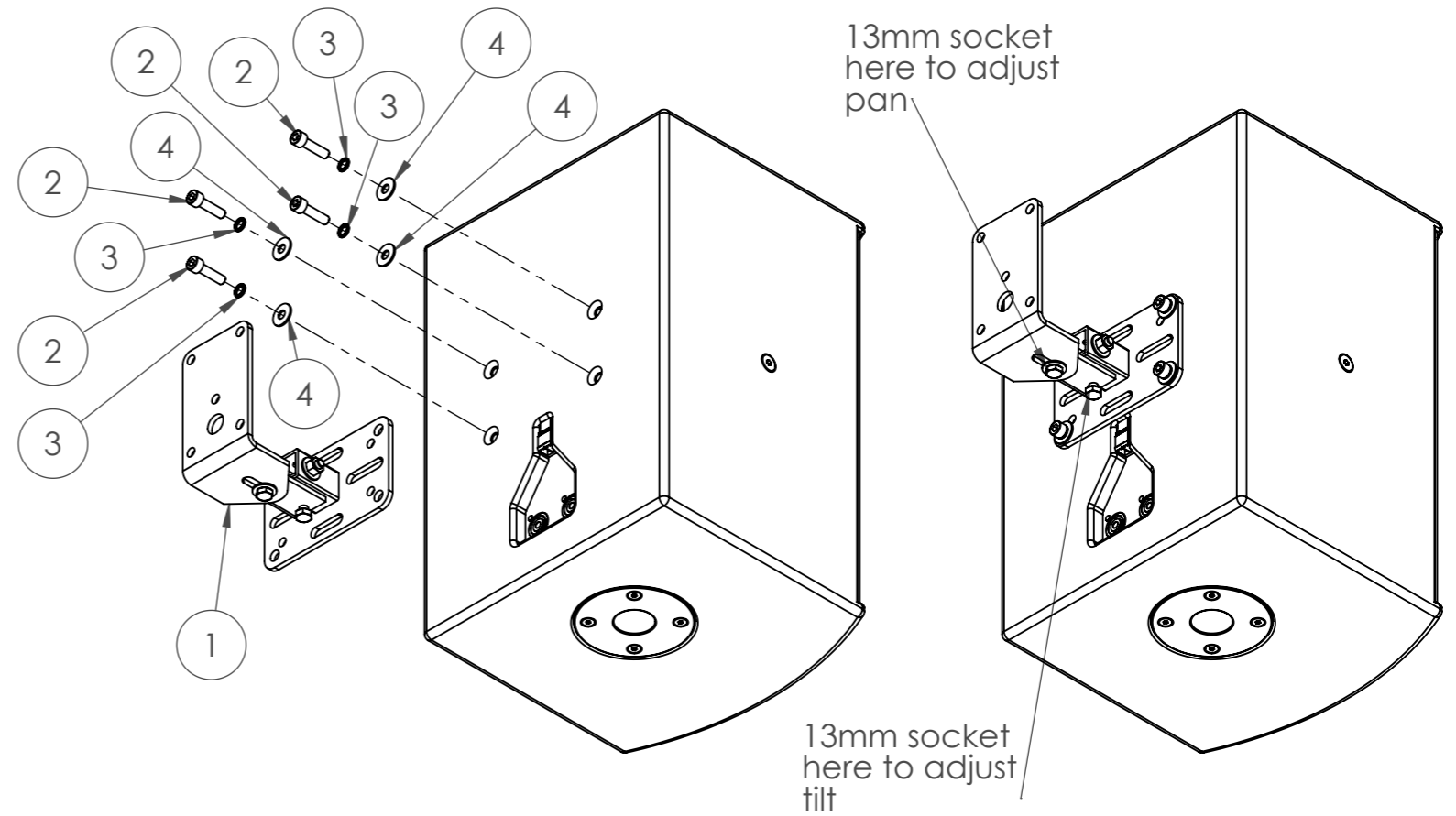
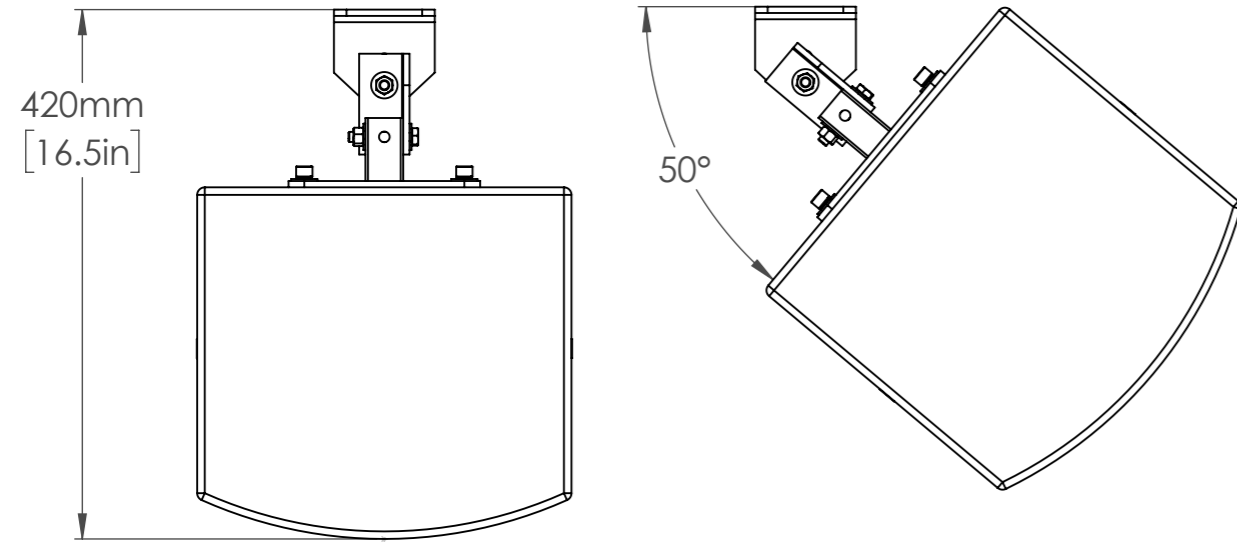
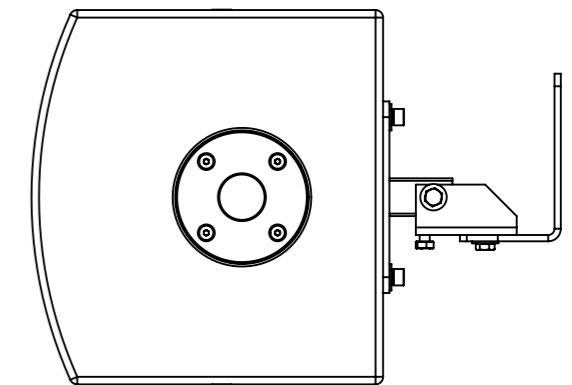
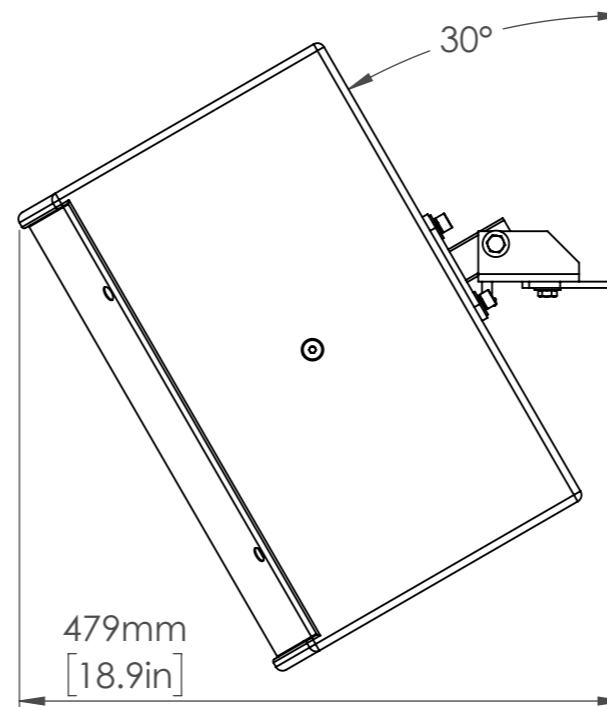
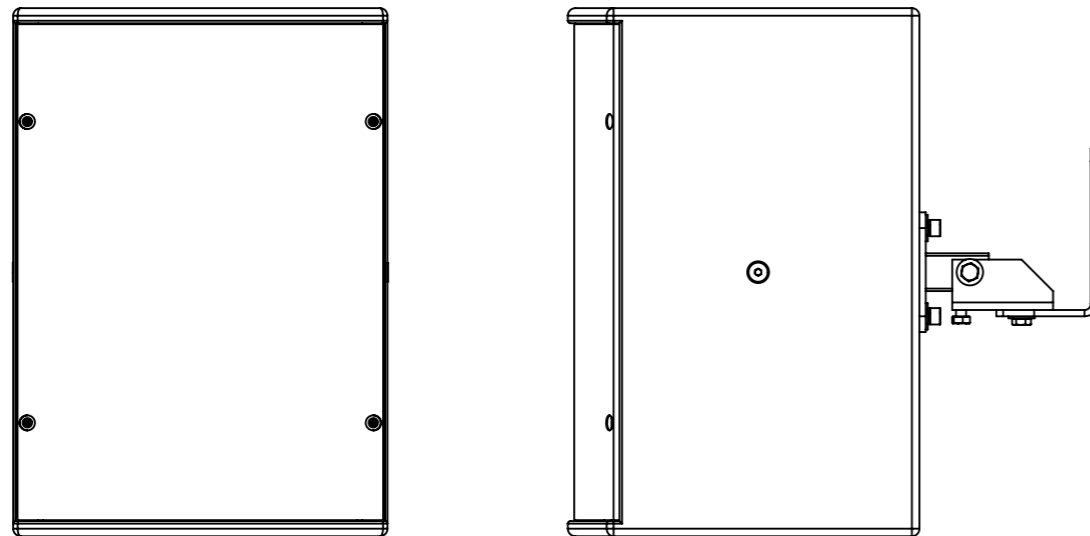


ITEM	DESCRIPTION	QUANTITY
1	WME100 - F101 WALL MOUNT BRACKET	1
2	M8 X 30mm HEX BOLT	4
3	M8 SPLIT WASHER	4
4	M8 C-FORM WASHER	4



With no vertical tilt, maximum horizontal pan is 50°. This reduces when introducing tilt. Maximum vertical tilt is 30°

Remove 4 x M8 blanking bolts. WME100 wall mount bracket is fitted directly to the F101 loudspeaker using 4 x M8 x 30mm hex bolts (13mm), 4 x M8 split washers and 4 x M8 C-form washers.



Possible to horizontally mount the F101 by rotating the speaker plate on the WME100.

Funktion-One Research LTD
 Hoyle, Beare Green, Dorking, Surrey, RH5 4PS, UK
 mail@funktion-one.com +44 (0)1306 712820

Sheet: Overview
 Funktion-One Product Detail Drawing

A3 Sheet Scale: 1:6
 Filename:

Drawn By: Mike Igglesden 16/12/2021

F101+WME100-F1-DD=T0061-00