

Funktion-One Research LTD
 Hoyle, Beare Green, Dorking, Surrey, RH5 4PS, UK
 mail@funktion-one.com +44 (0)1306 712820

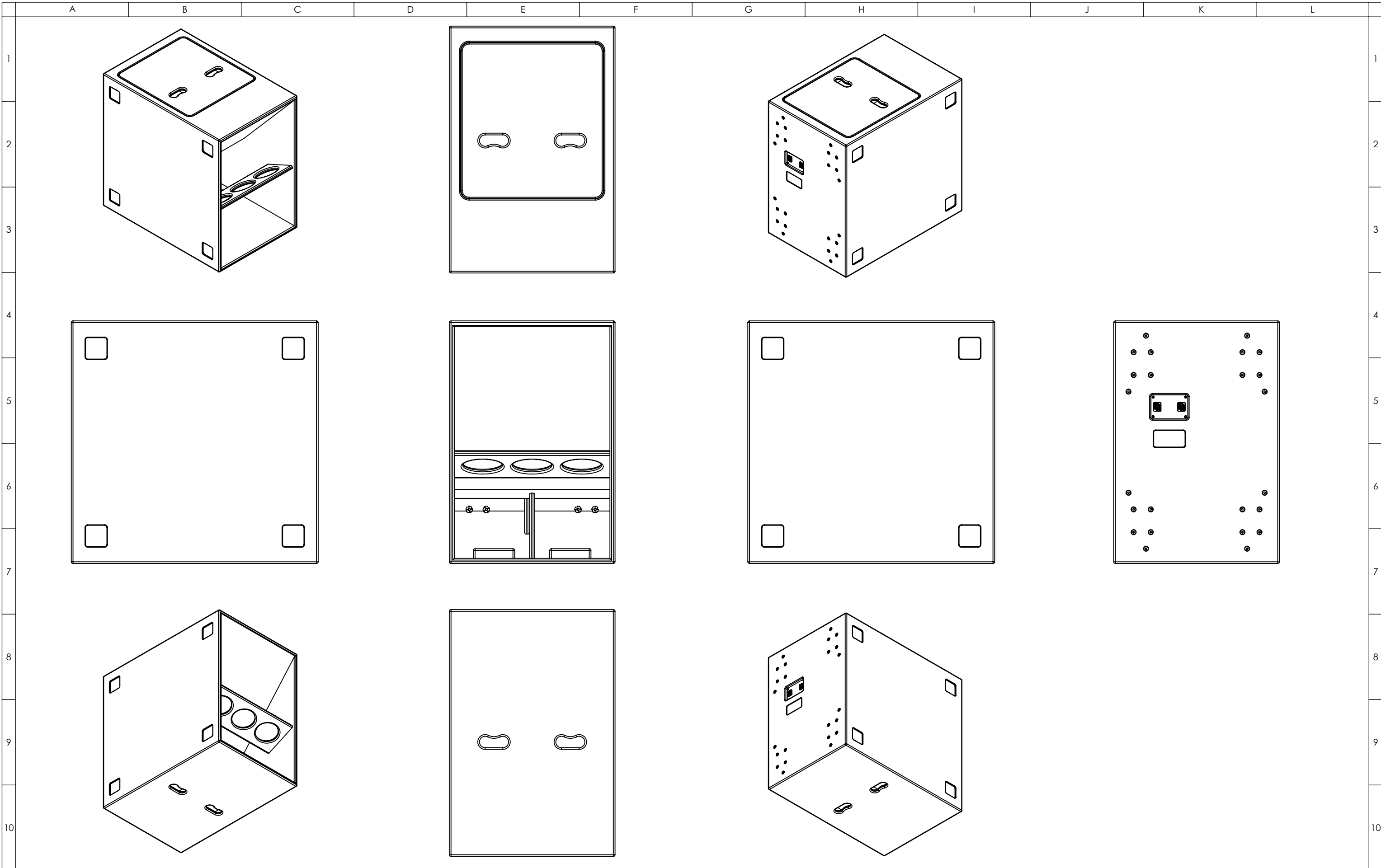
Sheet: Dimensions
 Funktion-One Product Technical Drawing

A3 Sheet Scale: 1:12

Drawn By: Mike Igglesden 07/02/2024

Filename:

F121-F1-TD=T0212-02



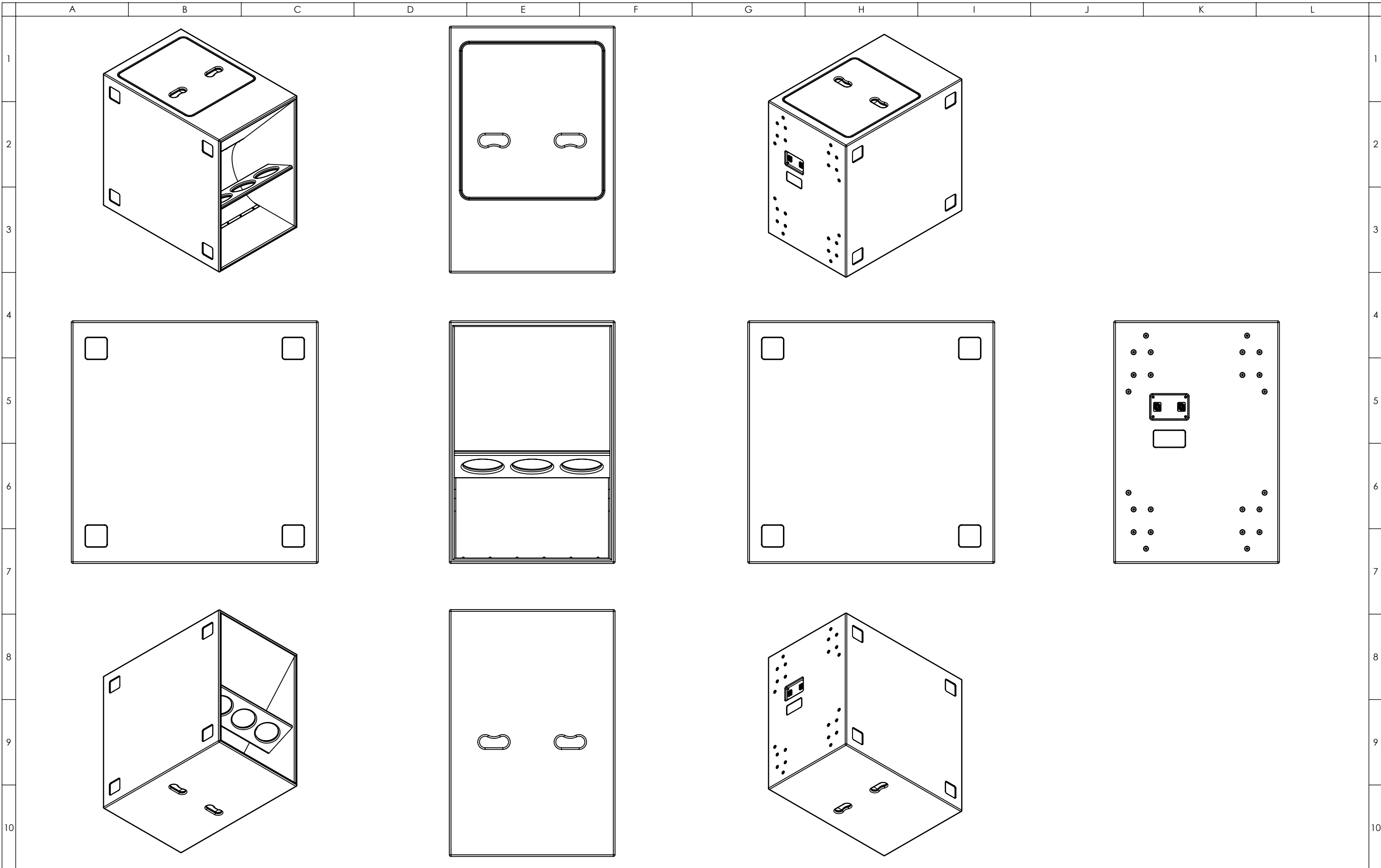
Funktion-One Research LTD
 Hoyle, Beare Green, Dorking, Surrey, RH5 4PS, UK
 mail@funktion-one.com +44 (0)1306 712820

Sheet: Standard
 Funktion-One Product Technical Drawing

A3 Sheet Scale: 1:12
 Filename:

Drawn By: Mike Igglesden 07/02/2024

F121-F1-TD=T0212-02



Funktion-One Research LTD
 Hoyle, Beare Green, Dorking, Surrey, RH5 4PS, UK
 mail@funktion-one.com +44 (0)1306 712820

Sheet: Grille
 Funktion-One Product Technical Drawing

A3 Sheet Scale: 1:12

Drawn By: Mike Igglesden

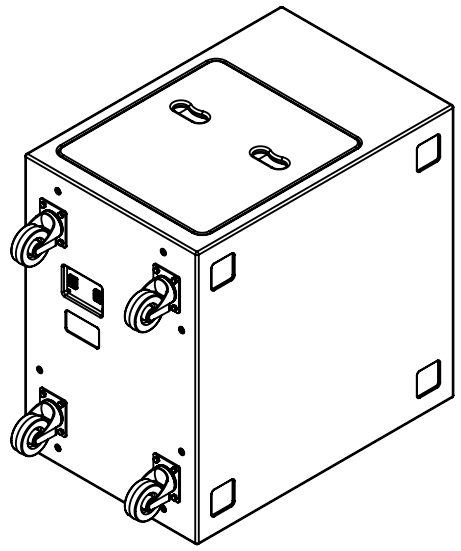
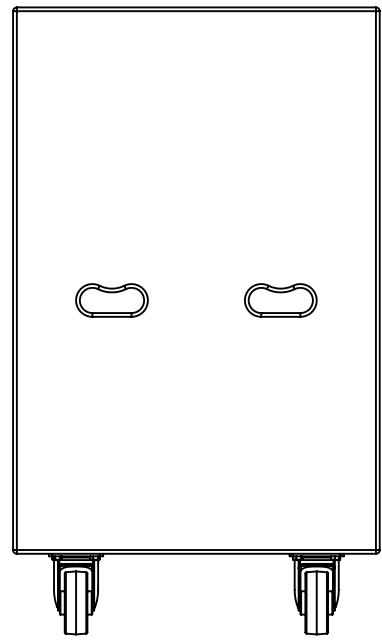
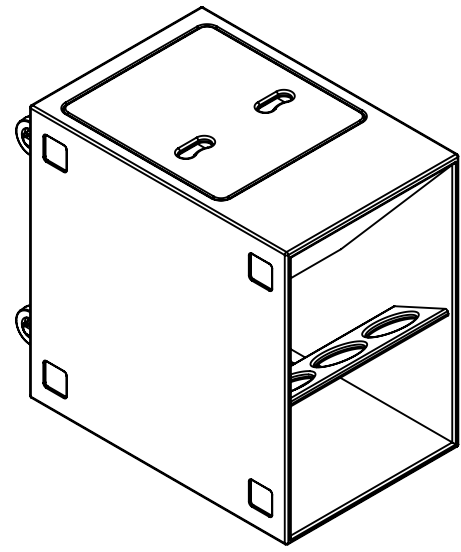
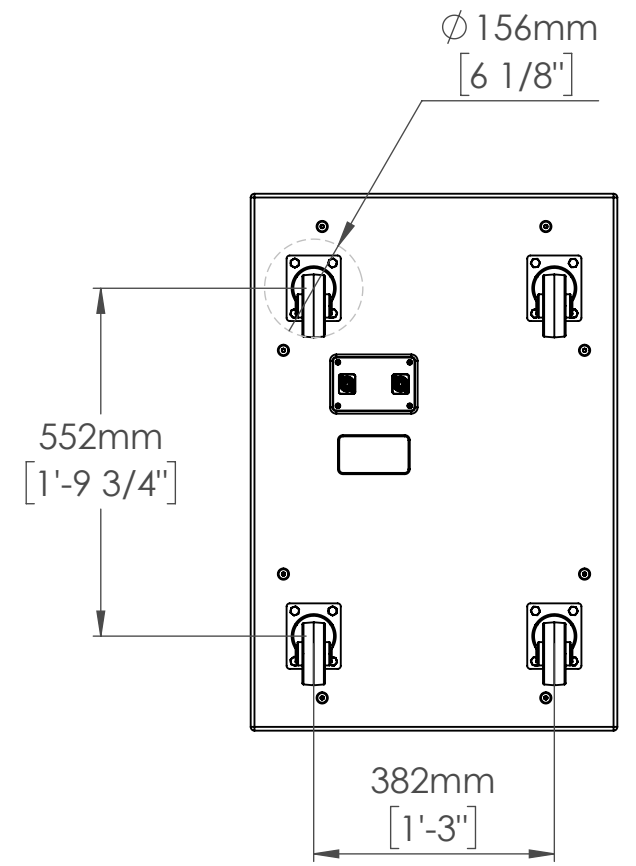
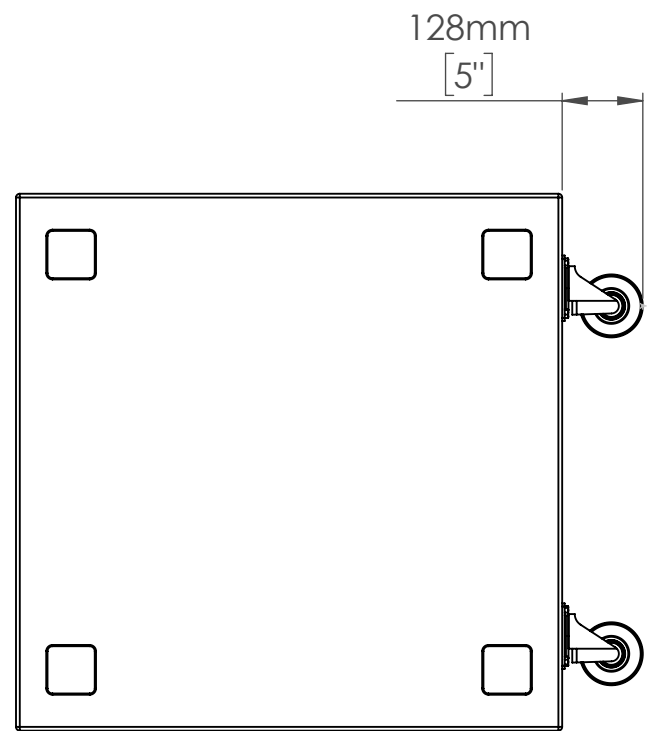
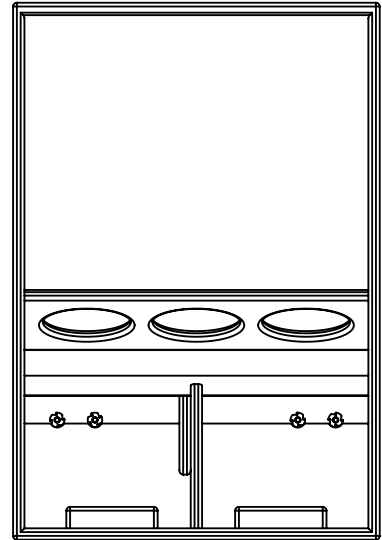
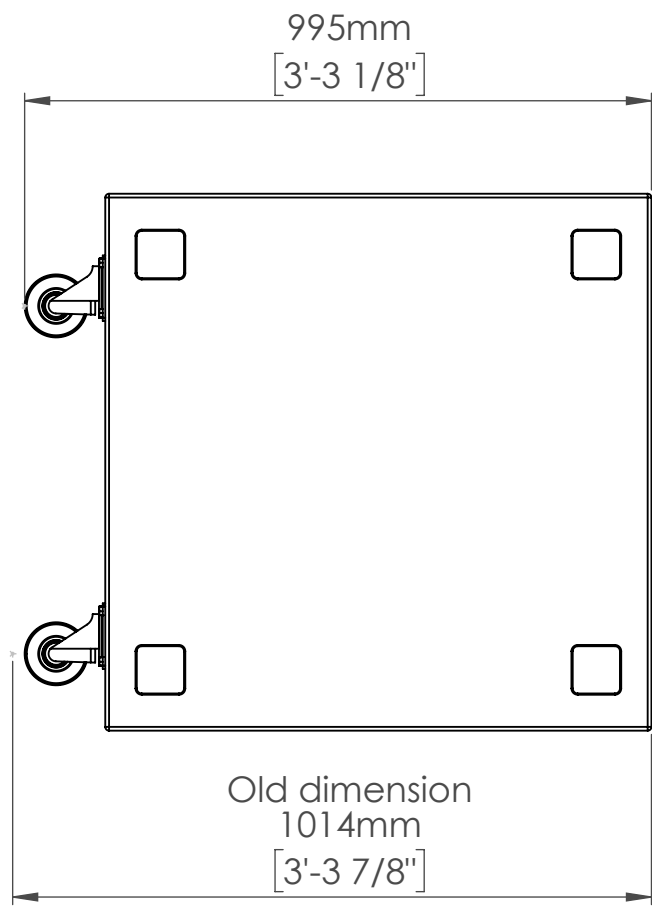
07/02/2024

Filename:

F121-F1-TD=T0212-02

A B C D E F G H I J K L

1
2
3
4
5
6
7
8
9
10



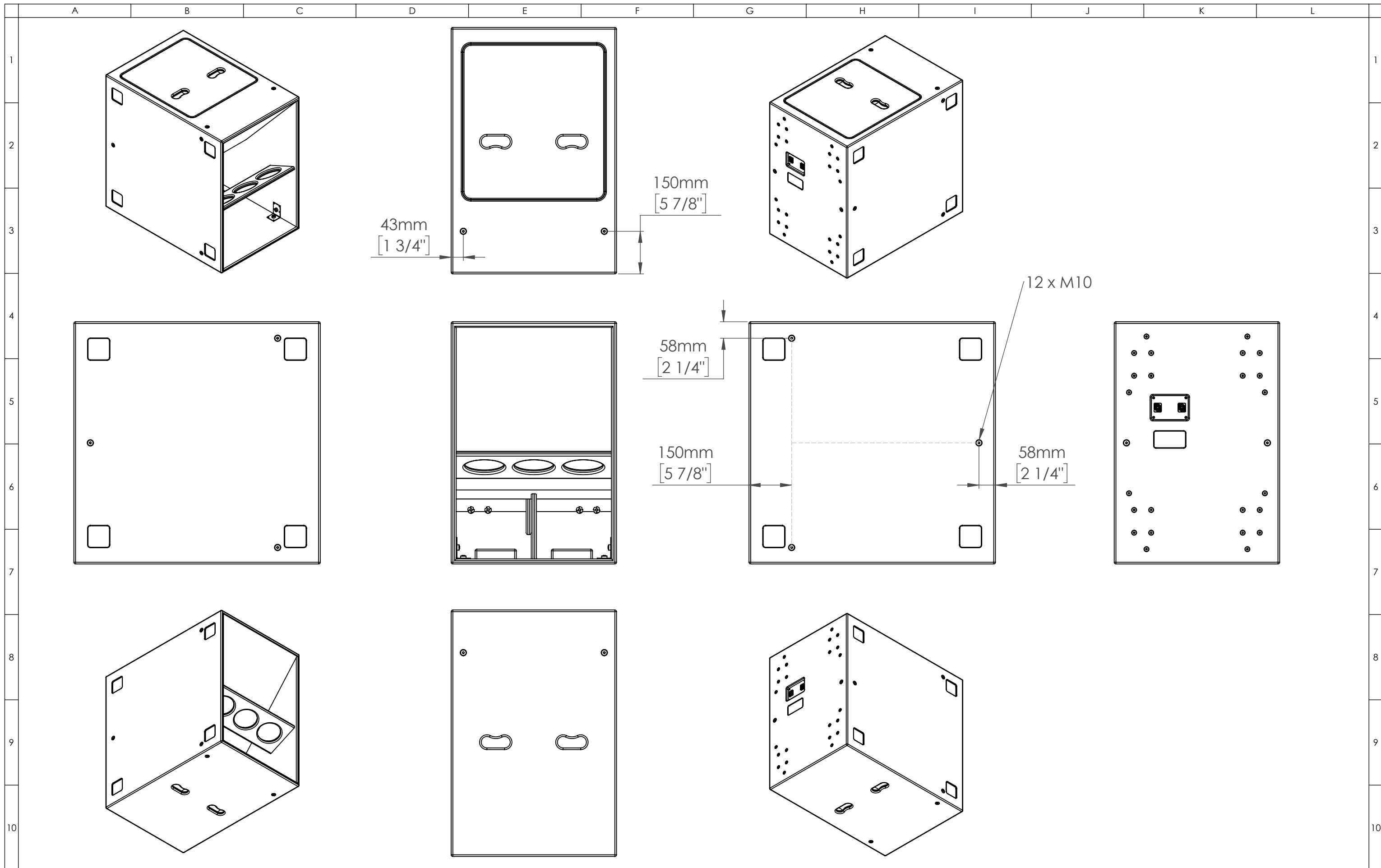
A B C D E F G H I J K L

Funktion-One Research LTD
Hoyle, Beare Green, Dorking, Surrey, RH5 4PS, UK
mail@funktion-one.com +44 (0)1306 712820

Sheet: Wheels
Funktion-One Product Technical Drawing

A3 Sheet Scale: 1:12
Filename:

Drawn By: Mike Igglesden 07/02/2024
F121-F1-TD=T0212-02



Funktion-One Research LTD
 Hoyle, Beare Green, Dorking, Surrey, RH5 4PS, UK
 mail@funktion-one.com +44 (0)1306 712820

Sheet: F121F
 Funktion-One Product Technical Drawing

A3 Sheet Scale: 1:12

Drawn By: Mike Igglesden

07/02/2024

Filename:

F121-F1-TD=T0212-02