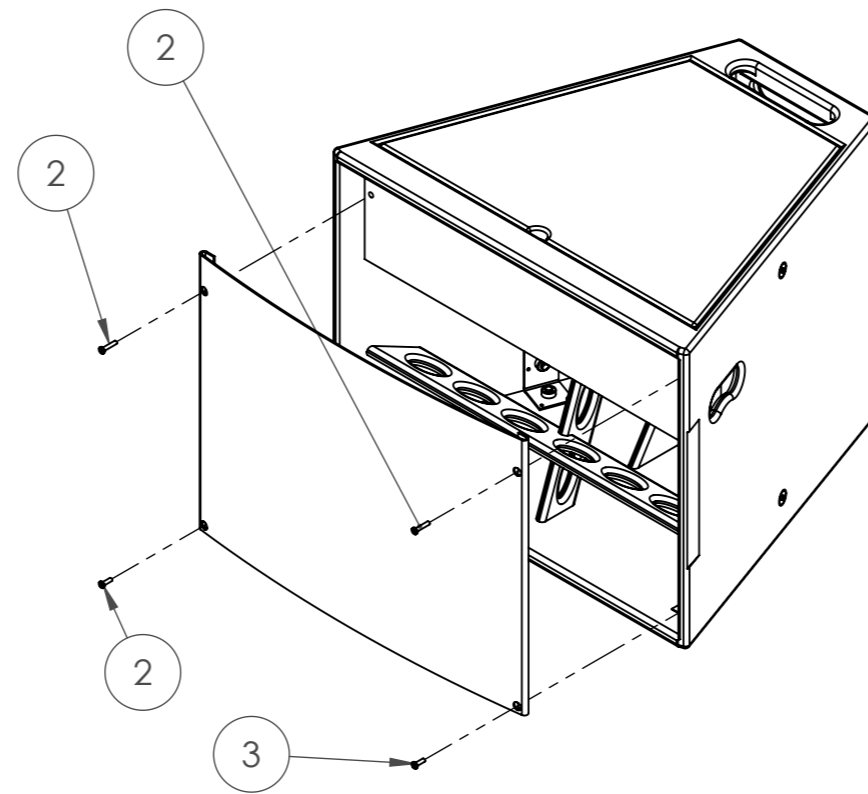
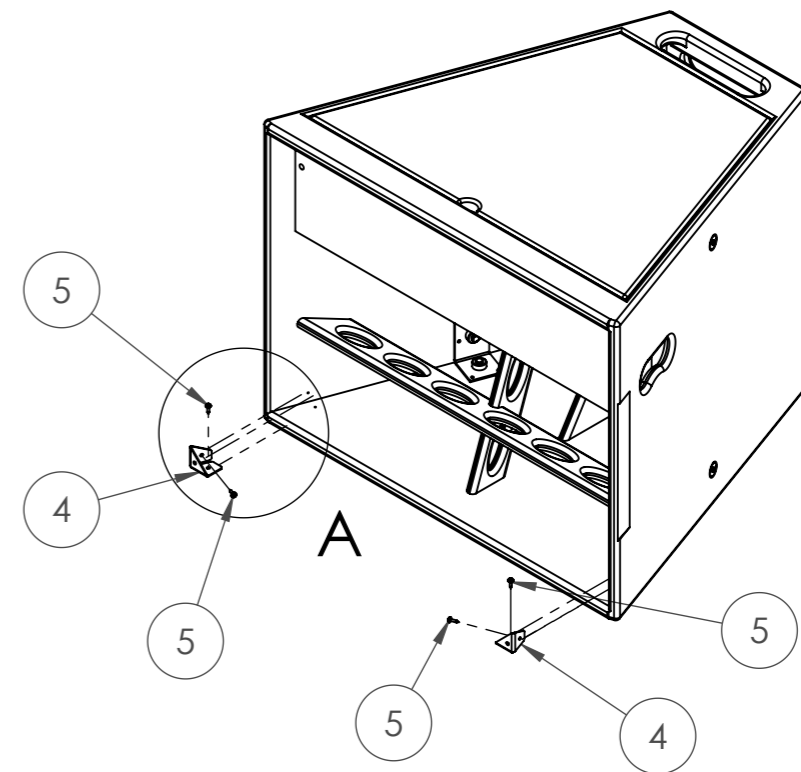


Evo 6E ordered with grille fitted. Hex punched 2mm steel, black powder coat and foam backed for discreet aesthetic.

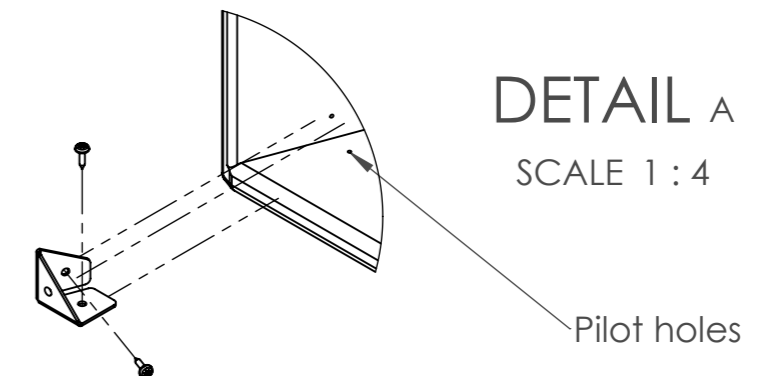


Removal and reattachment of grille with 2 x M5 x 16mm pozi (PZ2) pan head bolts and 2 x M5 x 25mm pozi (PZ2) pan head bolts.



Evo6EL ordered without grille, but grille required to be retro fitted. 2 x Evo6 grille brackets to be fitted with 2 x 3.5mm x 12mm pozi (PZ2) pan head screws per bracket. Fitment and location of grille brackets set with the use of the pilot holes.

ITEM	DESCRIPTION	QUANTITY
1	EVO6EL GRILLE, HEX PUNCHED, FOAM BACKED	1
2	M5 X 25mm POZI PAN HEAD BOLT	2
3	M5 X 16mm POZI PAN HEAD BOLT	2
4	EVO6 GRILLE BRACKET, M5 BUSH	2
5	3.5mm X 12mm POZI PAN HEAD SCREW	4

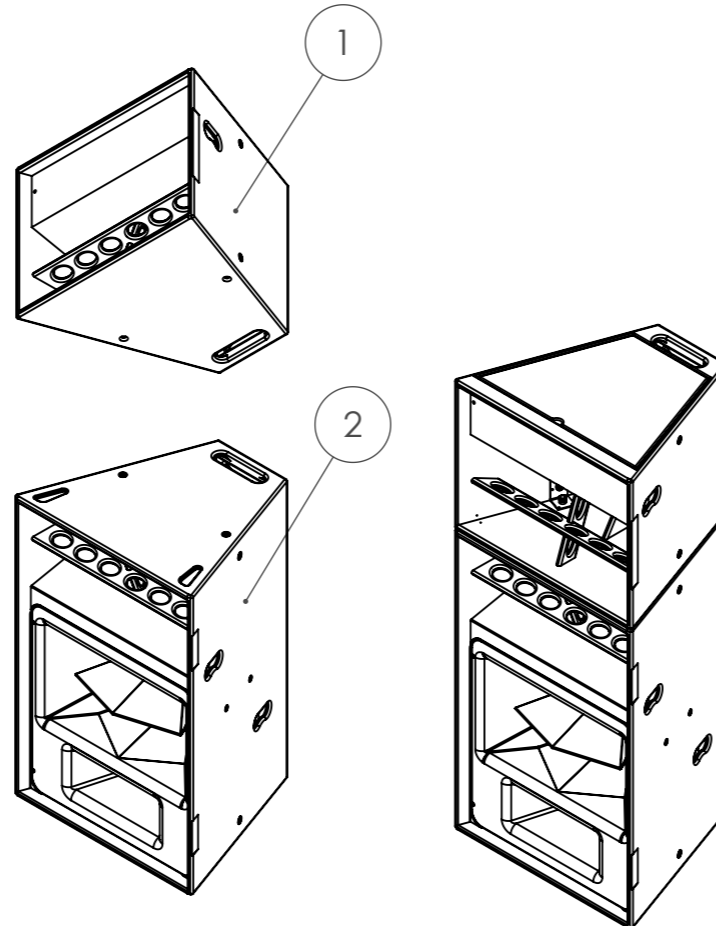
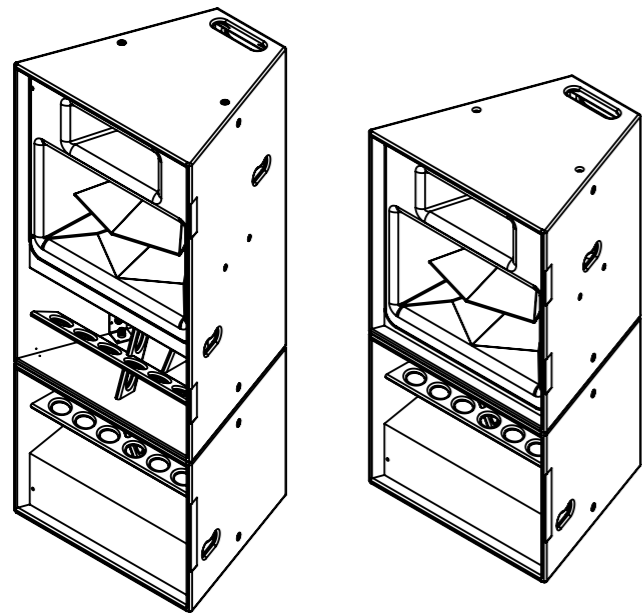


The Evo6EL can be bolted to an Evo6E to increase the low mid frequency output. It can also be attached to an Evo6EH for a modular version of an Evo6E or to another Evo6EL. It can be bolted to either the top or bottom face of the Evo6E and Evo6EH.

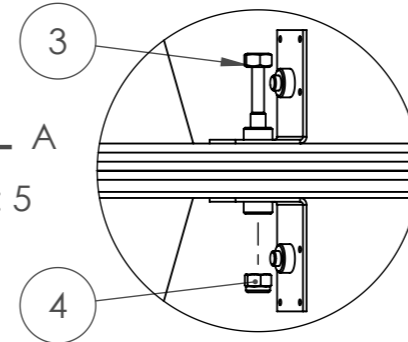
To attach an Evo6EL to an Evo6E. The M10 blanking bolts on both the mating face must be removed. Then place the Evo6EL on top of the Evo6E

Through the Evo6EL 15" horn, thread the M10 x 70mm special turned down bolt (17mm) into the M10 flypoint. Once it passes through the flypoint, it will drop down allowing you to thread into the flypoint of the Evo6E.

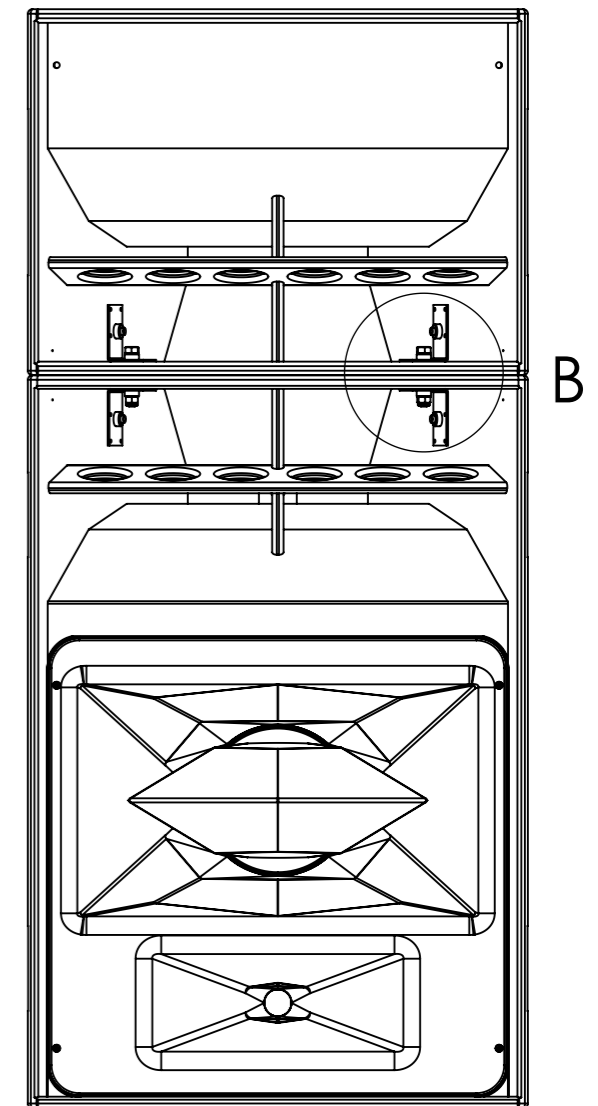
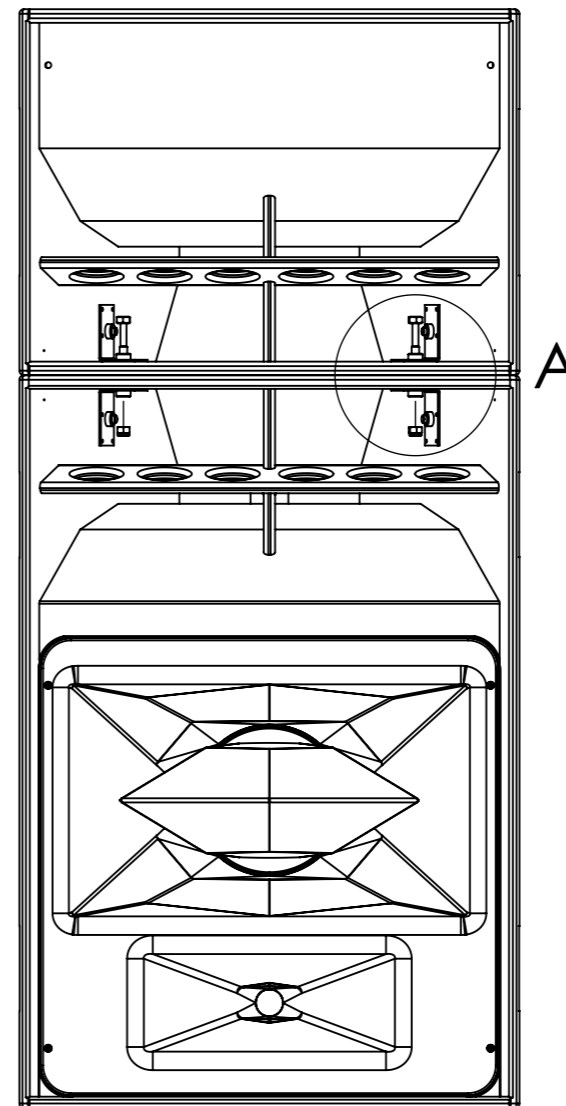
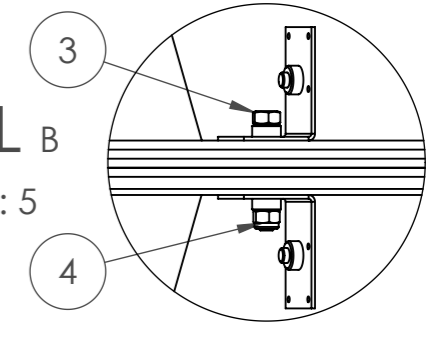
Repeat on with other bolt on other side. Once you have tightly threaded both bolts into the Evo6E, secure with a M10 lock nuts (17mm).



DETAIL A  
SCALE 1 : 5



DETAIL B  
SCALE 1 : 5



ITEM	DESCRIPTION	QUANTITY
1	EVO6EL	1
2	EVO6E	1
3	M10 X 70mm SPECIAL TURNED DOWN BOLT	2
4	M10 NYLOCK NUT	2