

Funktion-One Research LTD
 Hoyle, Beare Green, Dorking, Surrey, RH5 4PS, UK
 mail@funktion-one.com +44 (0)1306 712820

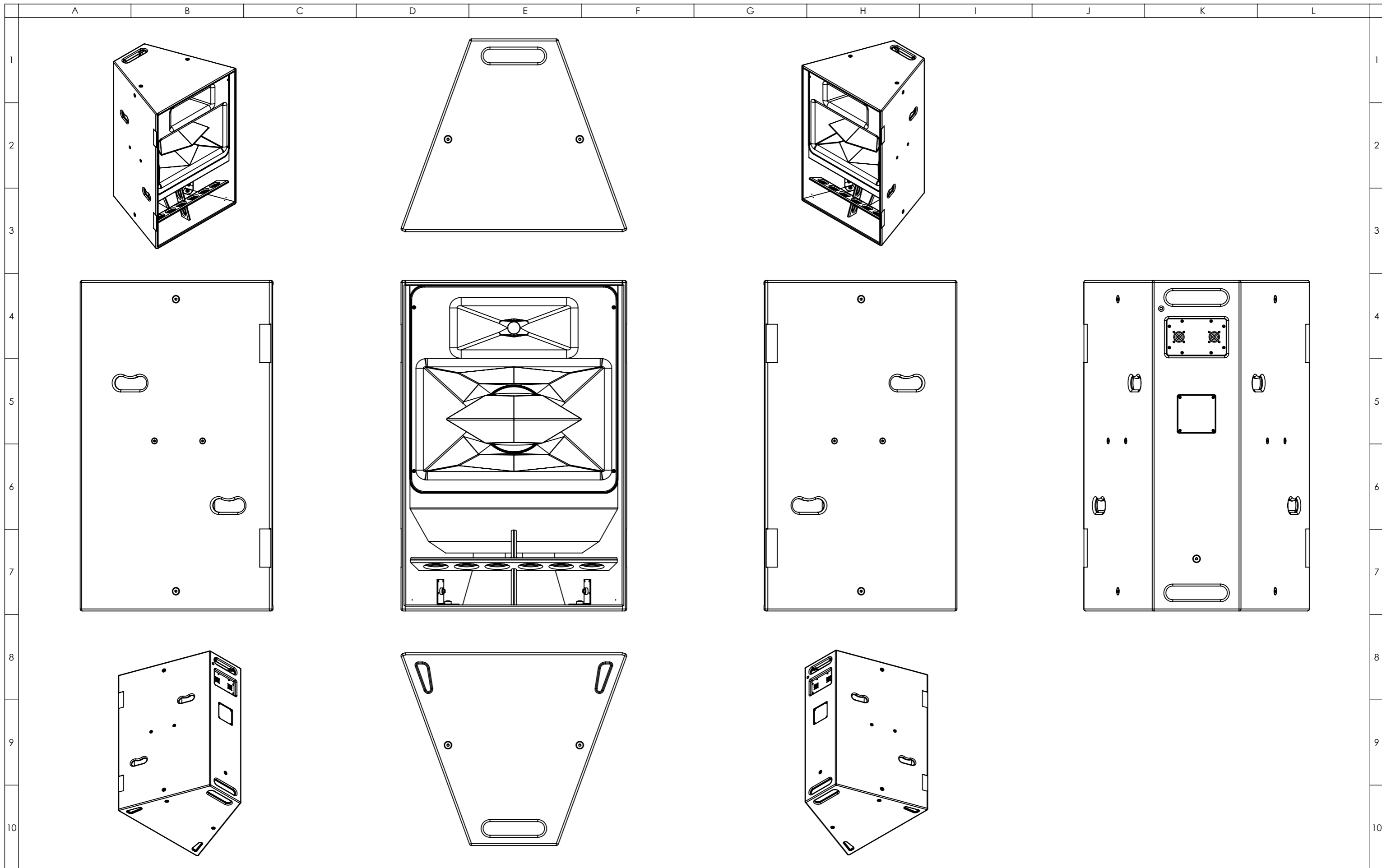
Sheet:Dimensions
 Funktion-One Product Technical Drawing

A3 Sheet Scale: 1:10

Drawn By: Mike Igglesden 20/09/2021

Filename:

Evo6E-F1-TD=T0011-00



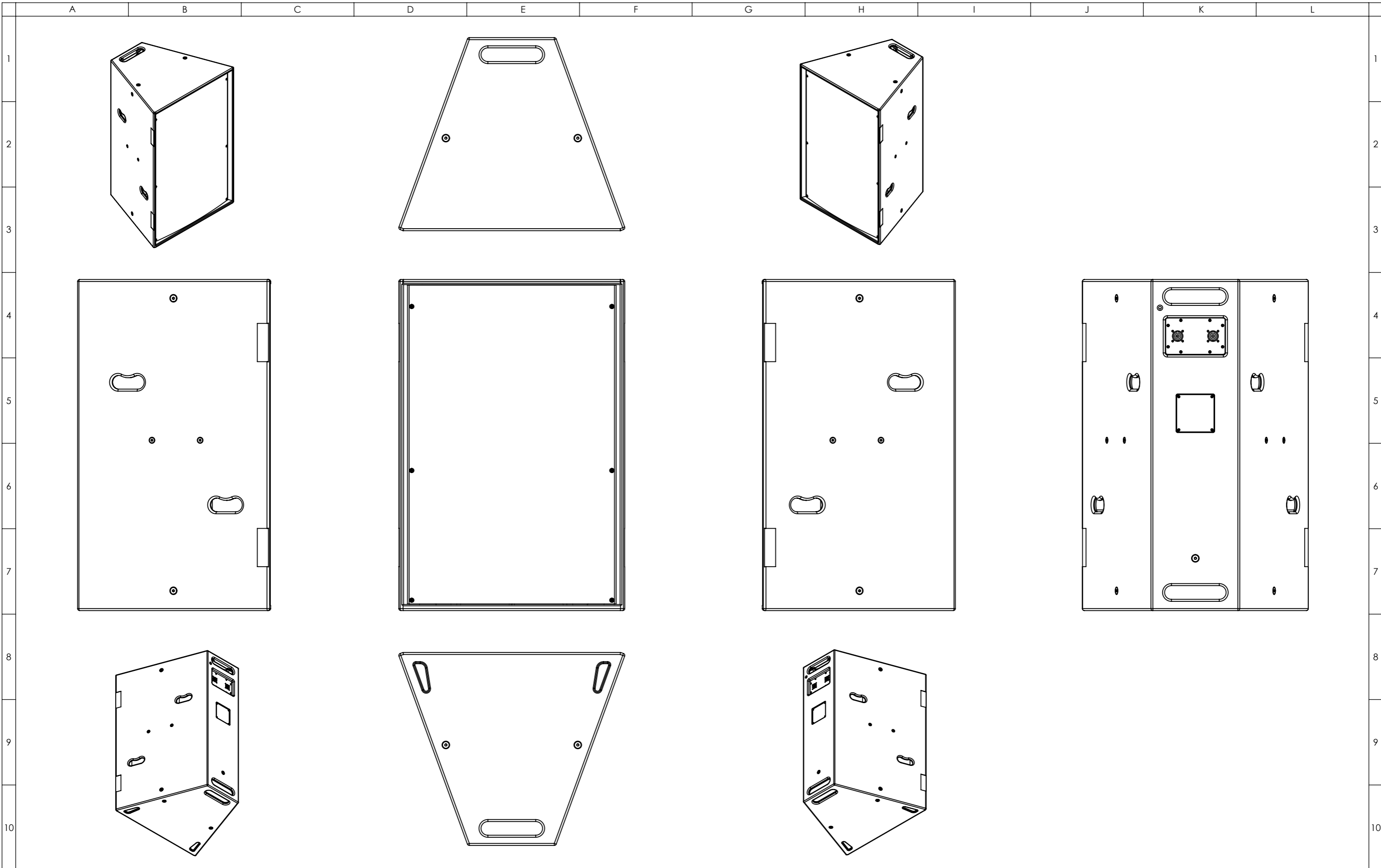
Funktion-One Research LTD
 Hoyle, Beare Green, Dorking, Surrey, RH5 4PS, UK
 mail@funktion-one.com +44 (0)1306 712820

Sheet: Standard
 Funktion-One Product Technical Drawing

A3 Sheet Scale: 1:10
 Filename:

Drawn By: Mike Igglesden 20/09/2021

Evo6E-F1-TD=T0011-00



Funktion-One Research LTD
 Hoyle, Beare Green, Dorking, Surrey, RH5 4PS, UK
 mail@funktion-one.com +44 (0)1306 712820

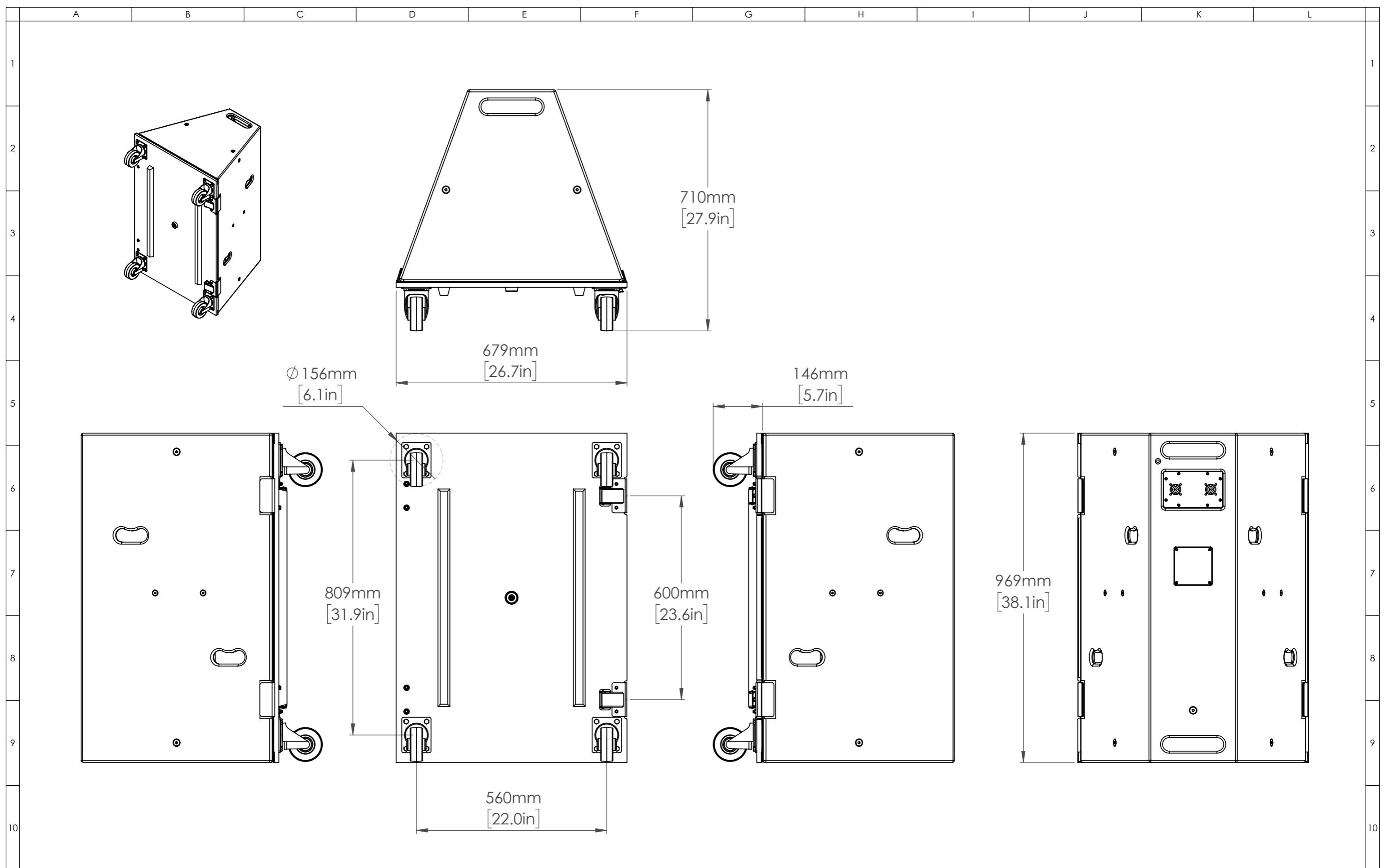
Sheet:Grille
 Funktion-One Product Technical Drawing

A3 Sheet Scale: 1:10

Drawn By: Mike Igglesden 20/09/2021

Filename:

Evo6E-F1-TD=T0011-00



Funktion-One Research LTD
 Hoyle, Beare Green, Dorking, Surrey, RH5 4PS, UK
 mail@funktion-one.com +44 (0)1306 712820

Sheet: Wheel Board
 Funktion-One Product Technical Drawing

A3 Sheet Scale: 1:10
 Filename:

Drawn By: Mike Igglesden 20/09/2021
 Evo6E-F1-TD=T0011-00