

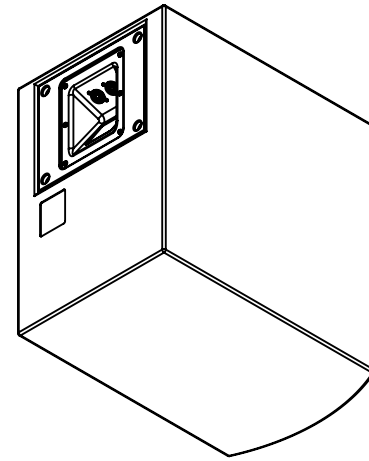
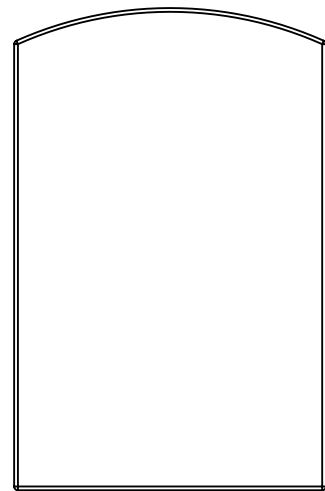
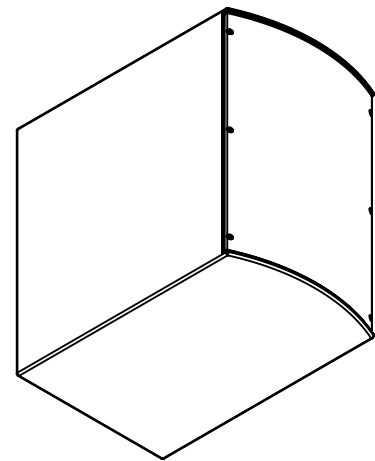
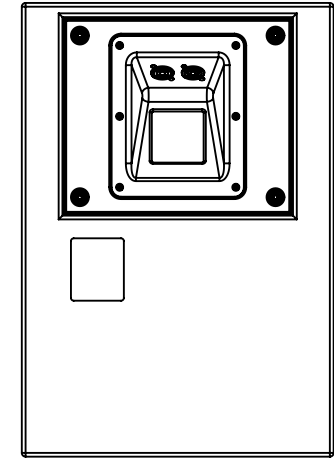
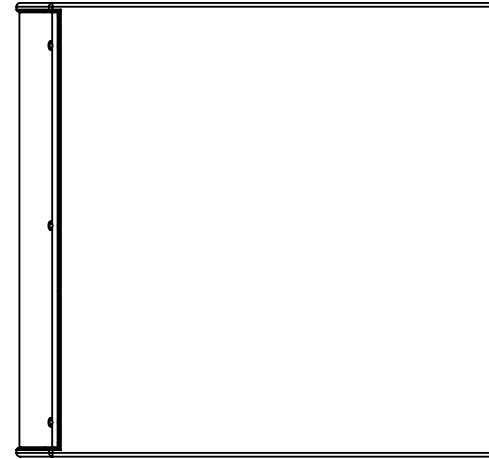
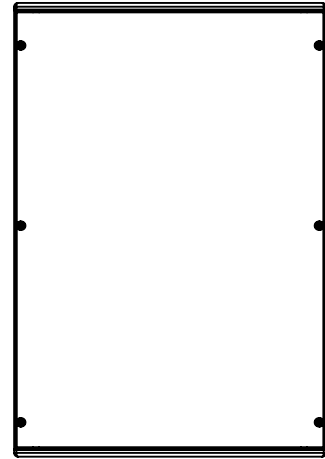
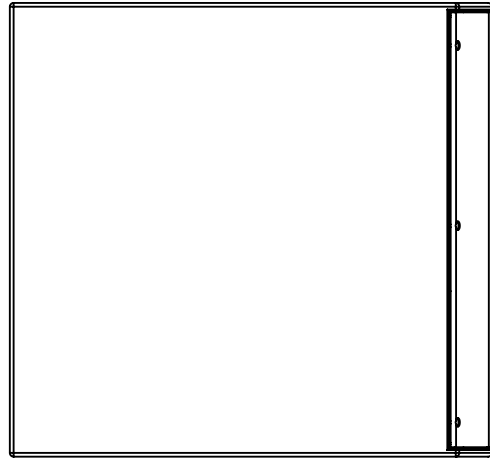
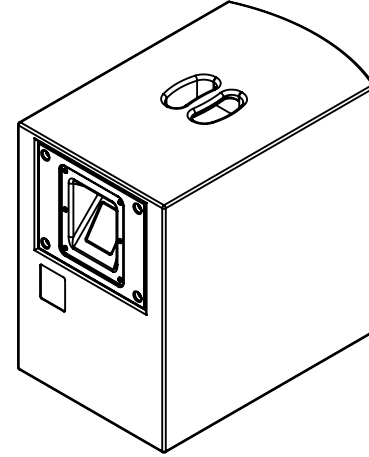
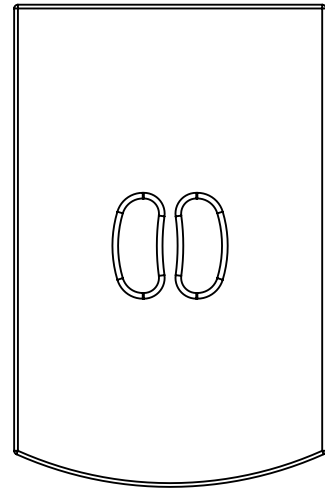
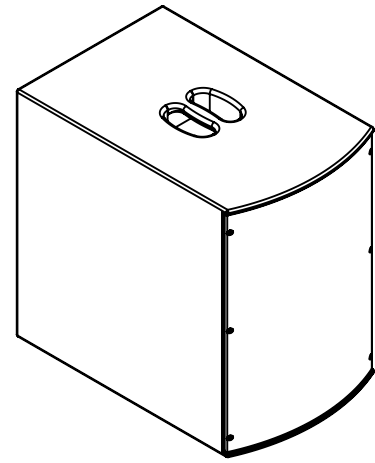
Funktion-One Research LTD
 Hoyle, Beare Green, Dorking, Surrey, RH5 4PS, UK
 mail@funktion-one.com +44 (0)1306 712820

Sheet: Dimensions
 Funktion-One Product Technical Drawing

A3 Sheet Scale: 1:8

Drawn By: Mike Igglesden 10/02/2022

Filename: SB10-F1-TD=T0075-00



Funktion-One Research LTD
 Hoyle, Beare Green, Dorking, Surrey, RH5 4PS, UK
 mail@funktion-one.com +44 (0)1306 712820

Sheet: Standard

Funktion-One Product Technical Drawing

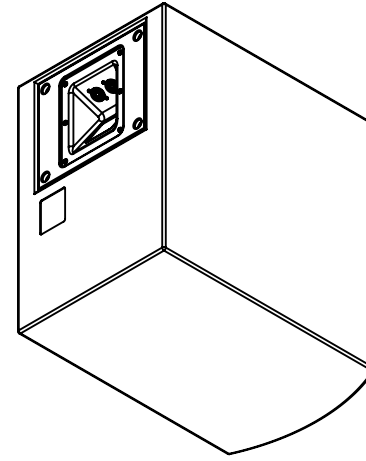
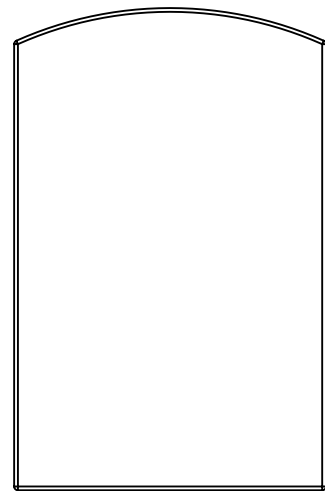
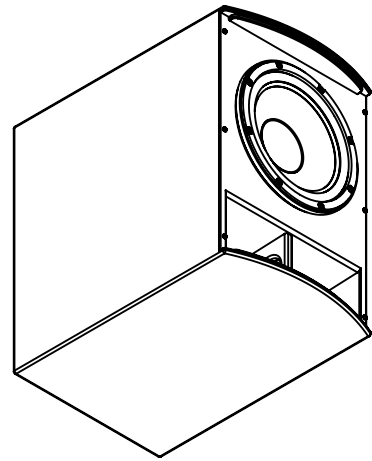
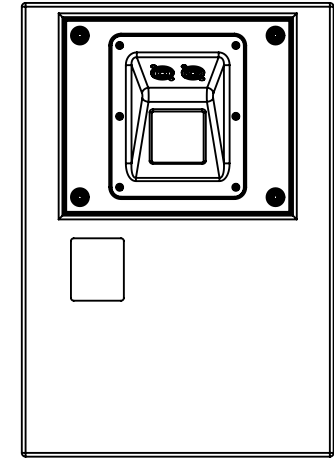
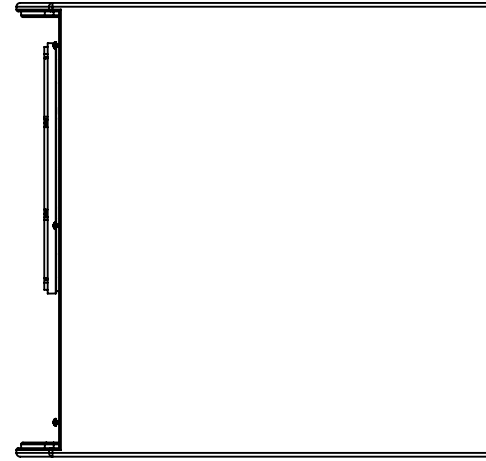
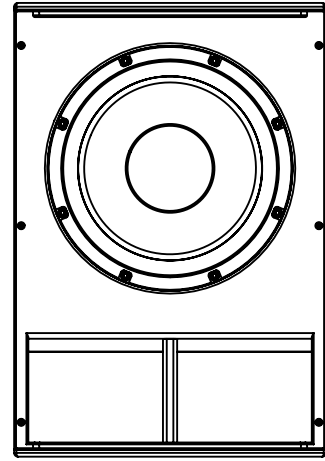
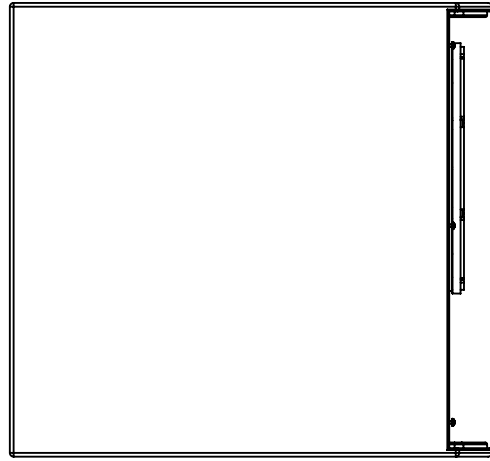
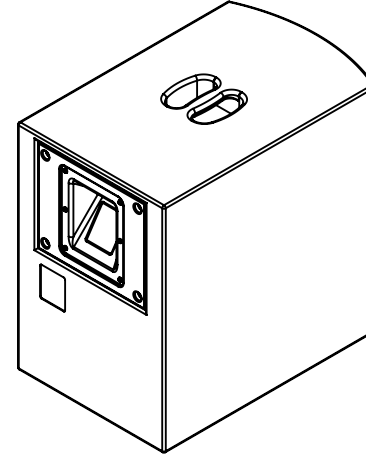
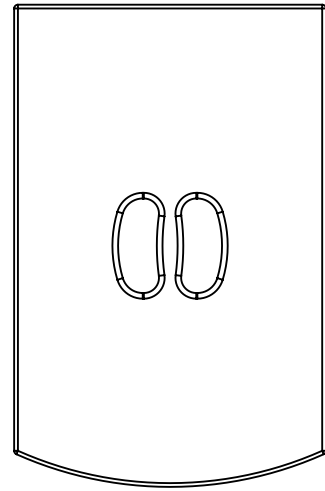
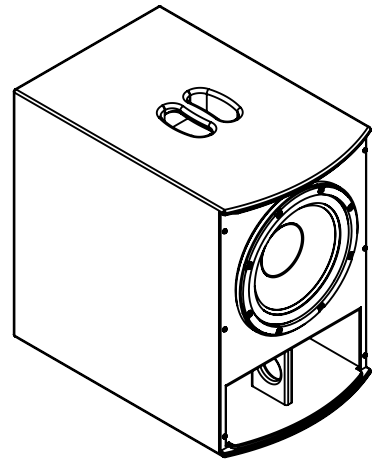
A3 Sheet Scale: 1:8

Filename:

Drawn By: Mike Igglesden

10/02/2022

SB10-F1-TD=T0075-00



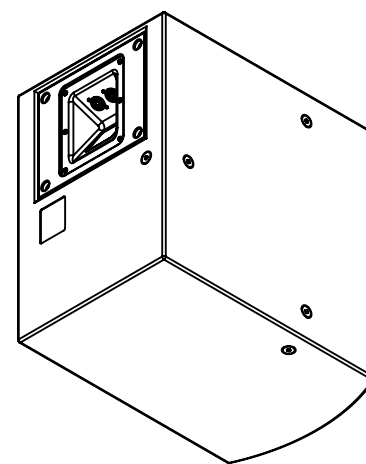
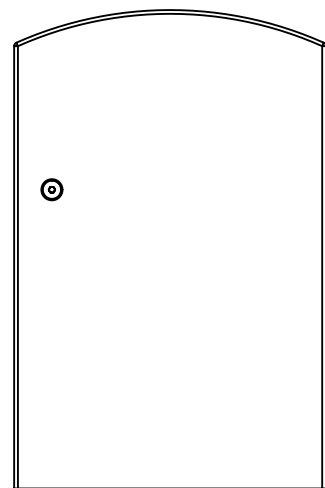
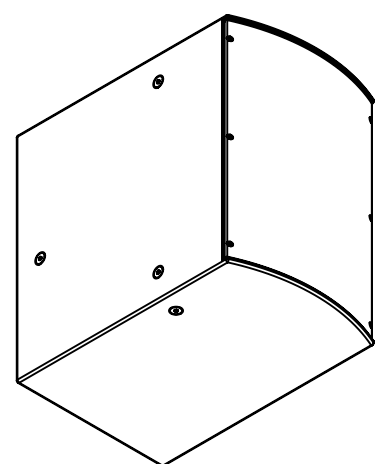
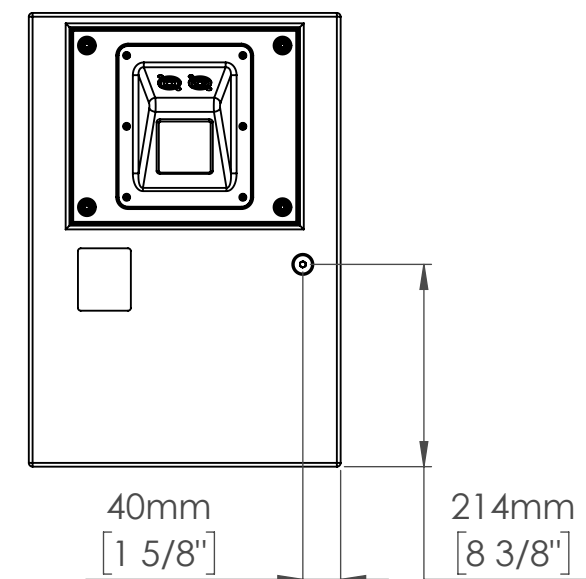
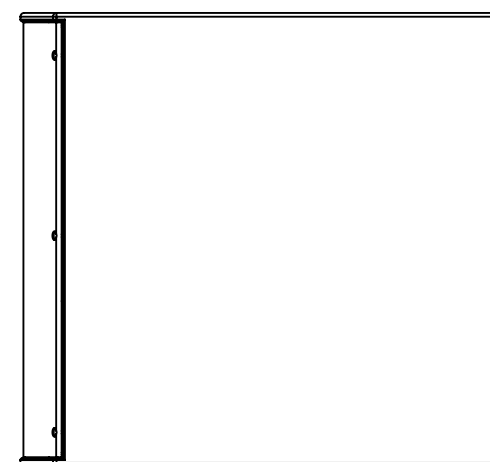
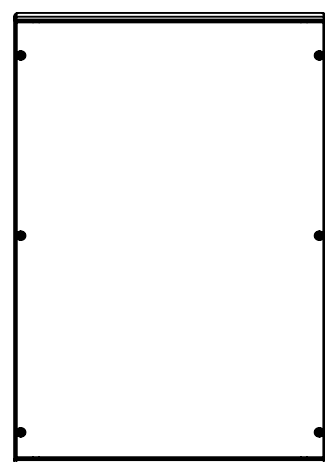
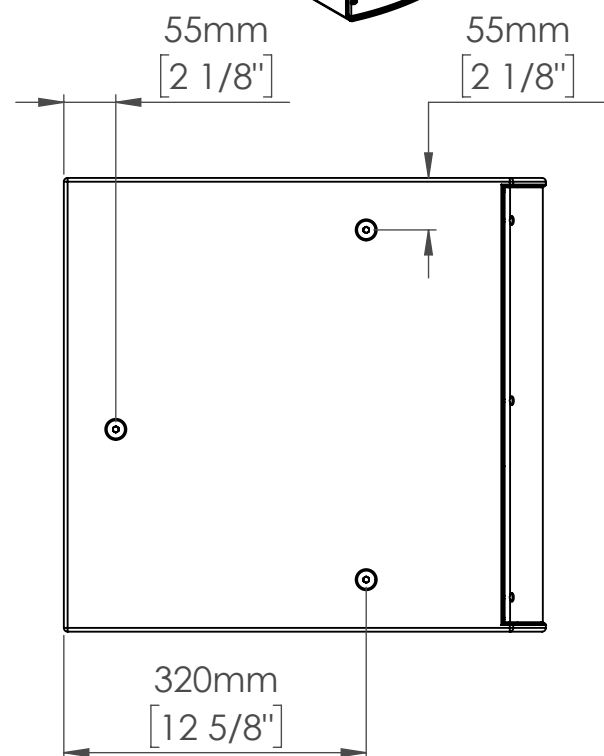
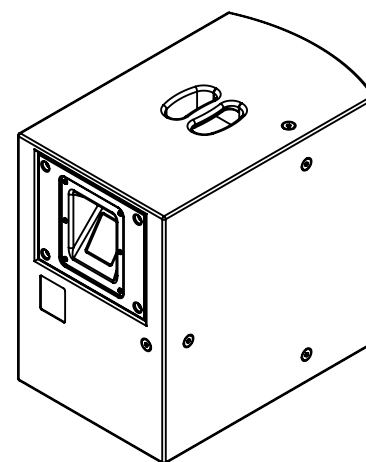
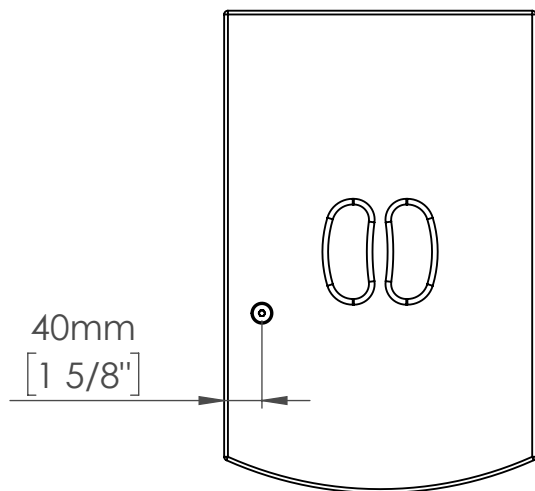
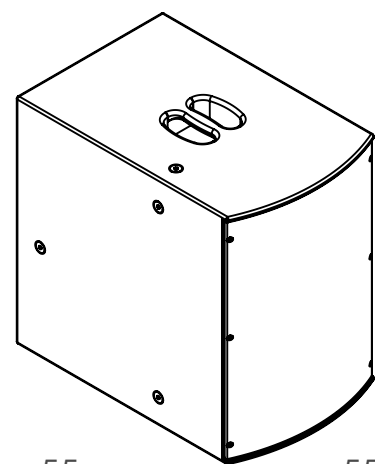
Funktion-One Research LTD
 Hoyle, Beare Green, Dorking, Surrey, RH5 4PS, UK
 mail@funktion-one.com +44 (0)1306 712820

Sheet: No Grille
 Funktion-One Product Technical Drawing

A3 Sheet Scale: 1:8
 Filename:

Drawn By: Mike Igglesden 10/02/2022

SB10-F1-TD=T0075-00



Funktion-One Research LTD
 Hoyle, Beare Green, Dorking, Surrey, RH5 4PS, UK
 mail@funktion-one.com +44 (0)1306 712820

Sheet: SB10F
 Funktion-One Product Technical Drawing

A3 Sheet Scale: 1:8
 Filename:

Drawn By: Mike Igglesden 10/02/2022

SB10-F1-TD=T0075-00