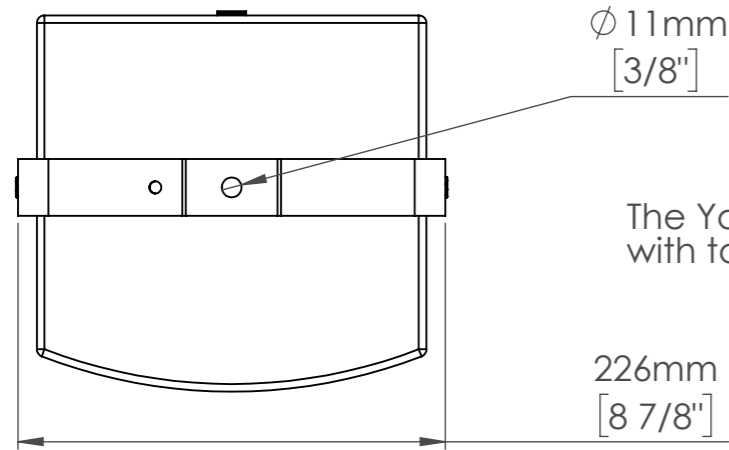
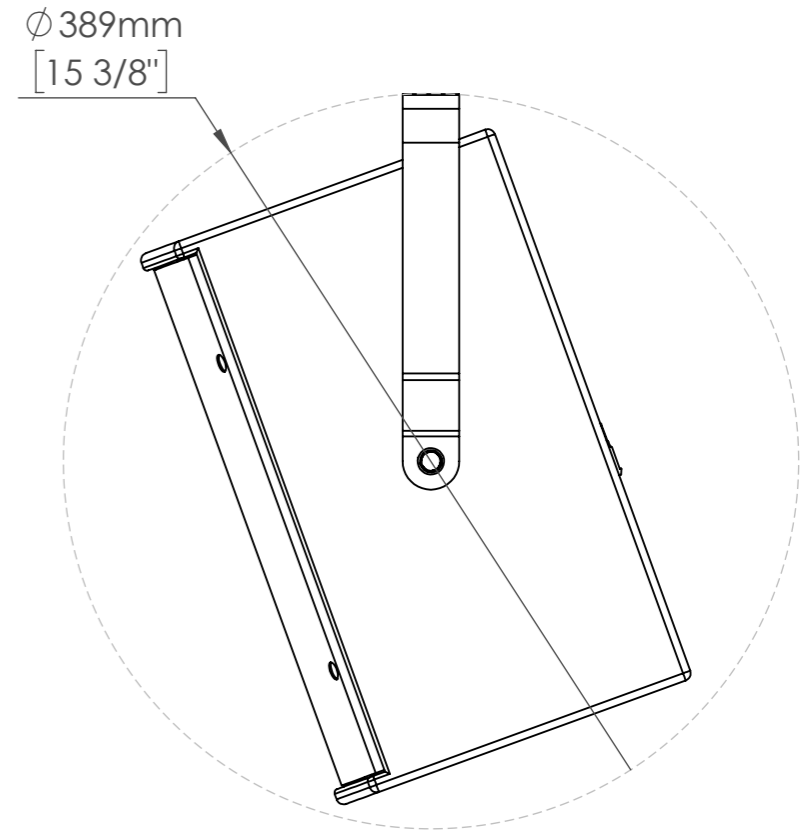
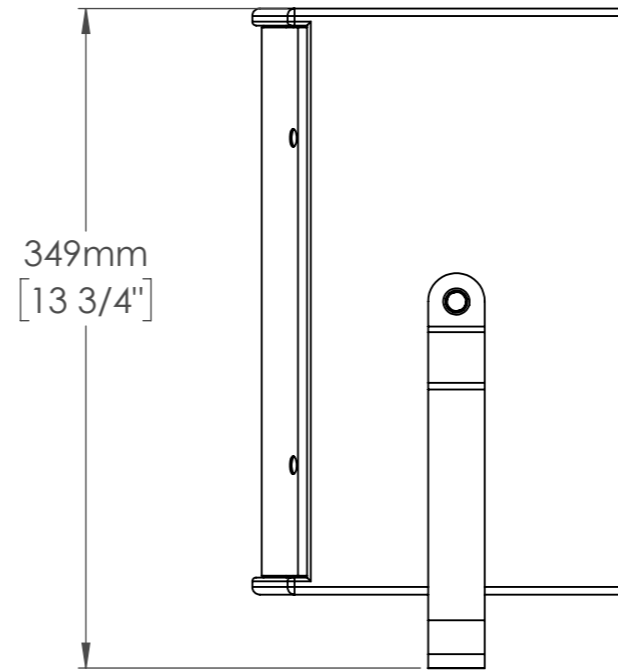
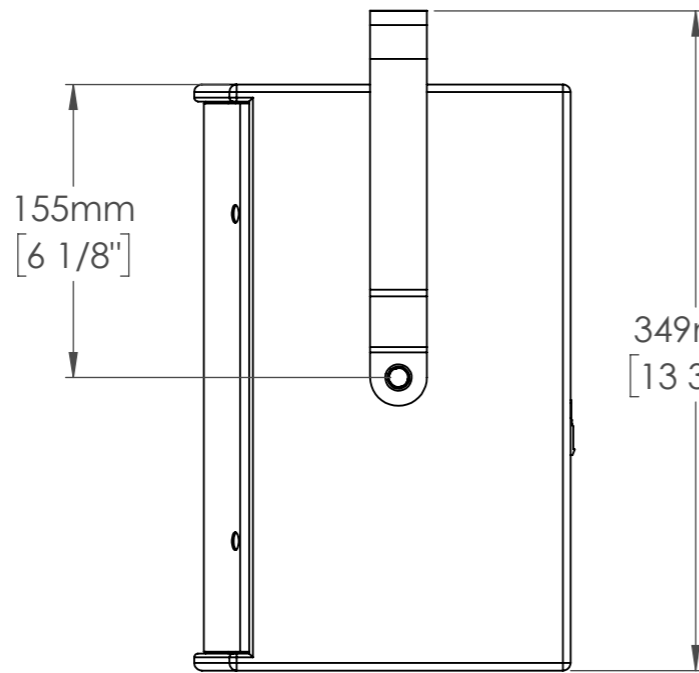
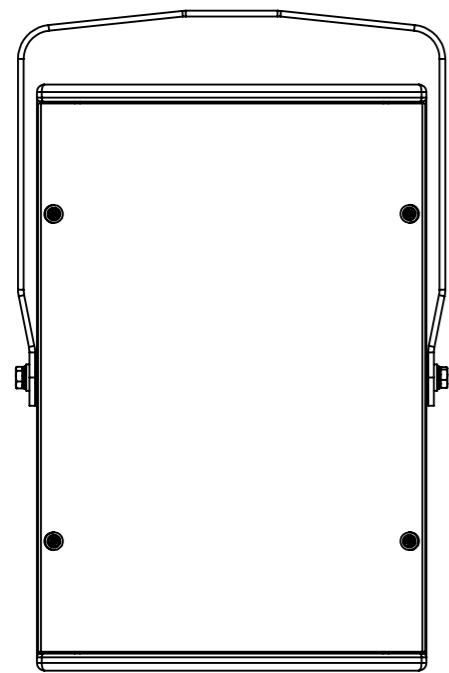
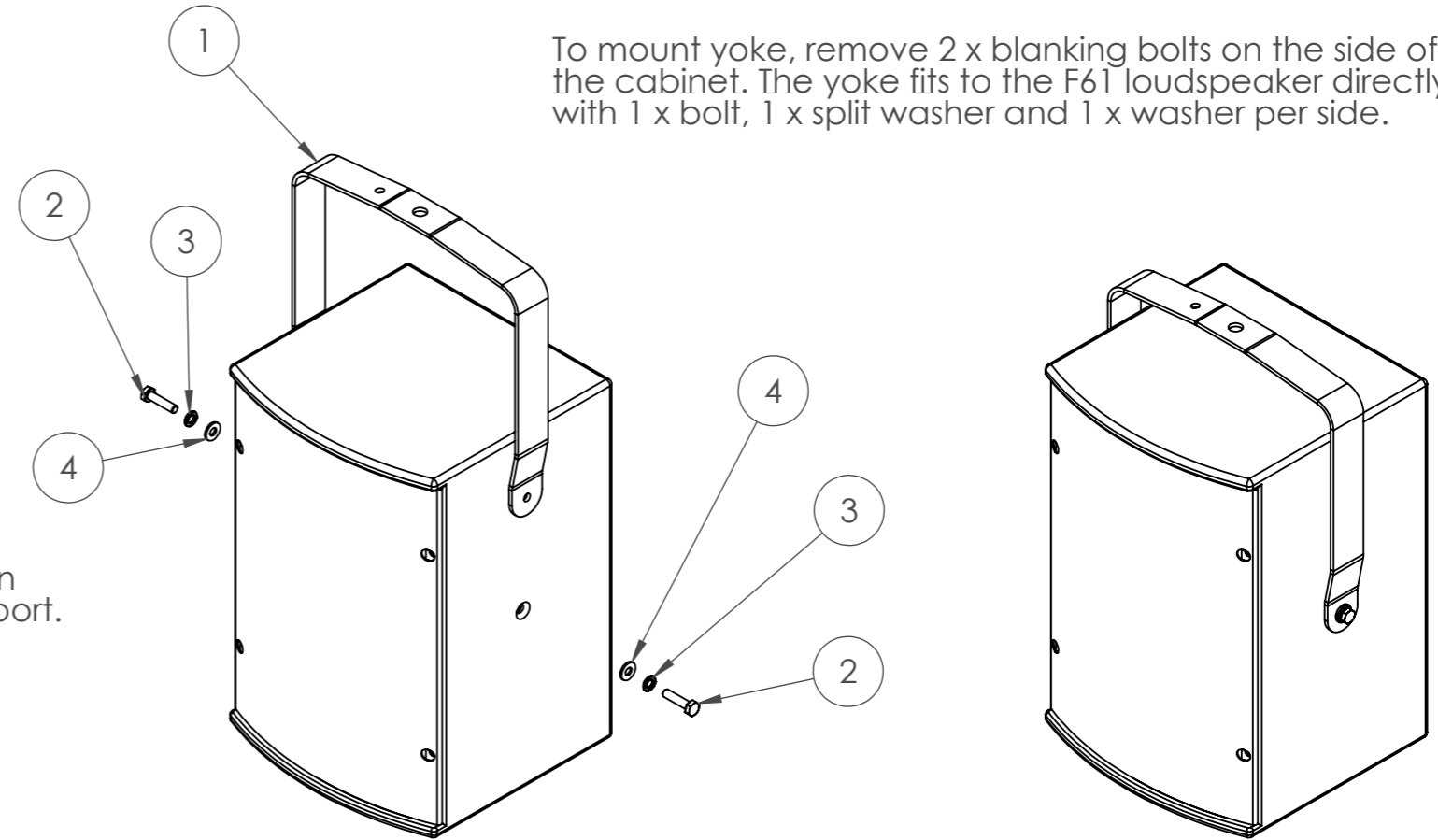


ITEM	DESCRIPTION	QUANTITY
1	F61 YOKE	1
2	M6 X 20mm PAN HEAD BOLT	2
3	M6 C-FORM WASHER	2
4	M6 SPLIT WASHER	2

To mount yoke, remove 2 x blanking bolts on the side of the cabinet. The yoke fits to the F61 loudspeaker directly with 1 x bolt, 1 x split washer and 1 x washer per side.



The Yoke provides 360° of rotation with top down or bottom up support.



Funktion-One Research LTD
 Hoyle, Beare Green, Dorking, Surrey, RH5 4PS, UK
 mail@funktion-one.com +44 (0)1306 712820

Sheet: Detail Drawing

Funktion-One Product Detail Drawing

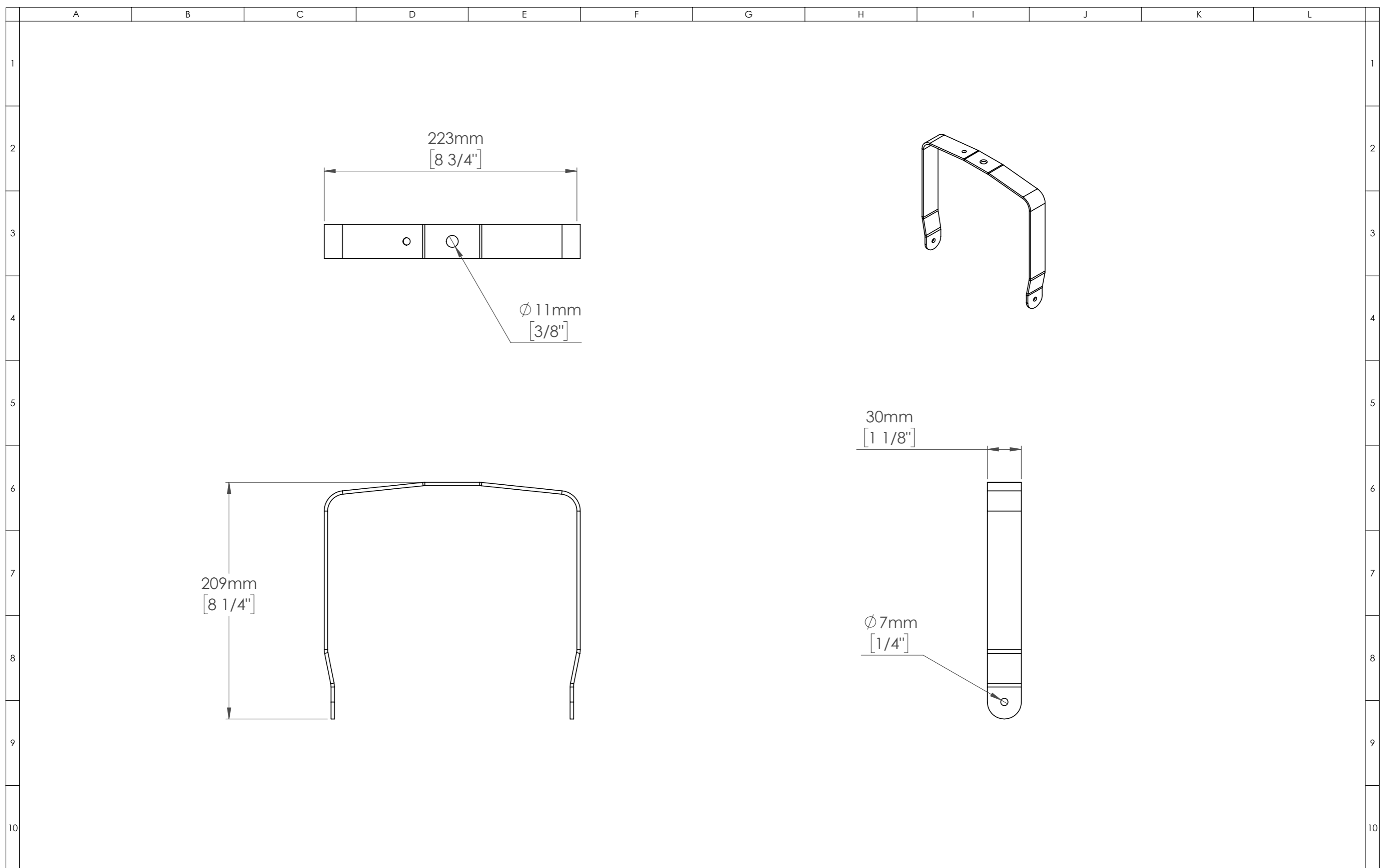
A3 Sheet Scale: 1:4

Filename:

Drawn By: Mike Igglesden

09/10/2024

YK-F61-F1-AD=T0305-00



Funktion-One Research LTD Hoyle, Beare Green, Dorking, Surrey, RH5 4PS, UK mail@funktion-one.com +44 (0)1306 712820				Sheet: Technical drawing Funktion-One Product Technical Drawing			A3 Sheet Scale: 1:3 Filename:		Drawn By: Mike Igglesden 09/10/2024		YK-F61-F1-AD=T0305-00	
--	--	--	--	--	--	--	----------------------------------	--	--	--	------------------------------	--