

Funktion-One Research LTD
 Hoyle, Beare Green, Dorking, Surrey, RH5 4PS, UK
 mail@funktion-one.com +44 (0)1306 712820

Sheet: Dimensions

Funktion-One Product Technical Drawing

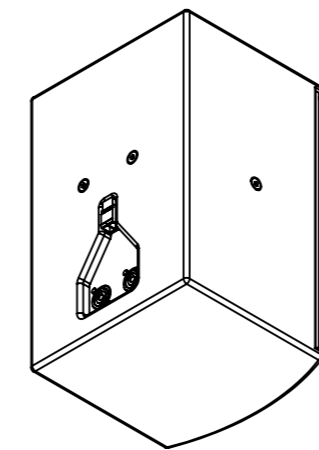
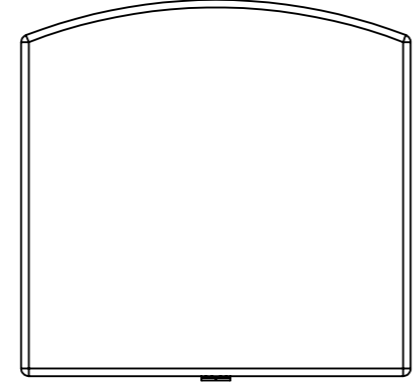
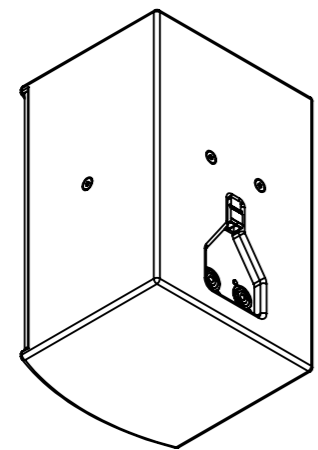
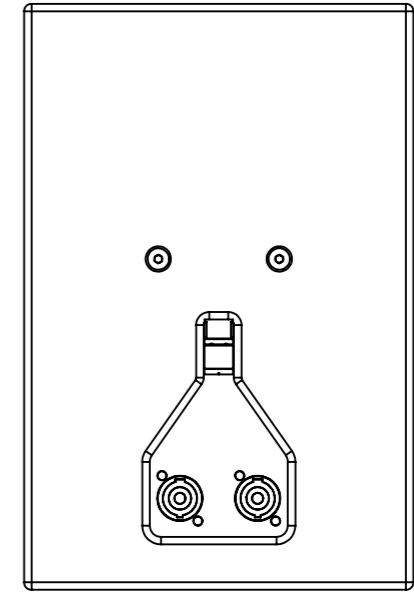
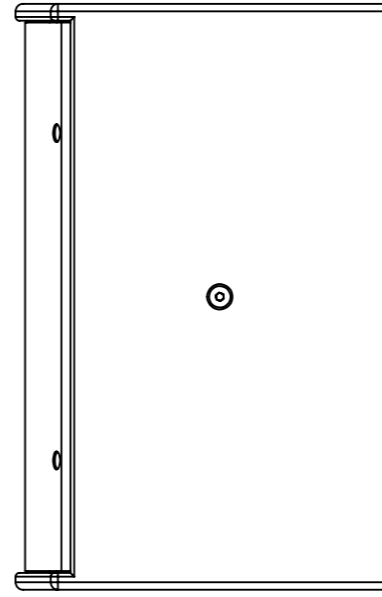
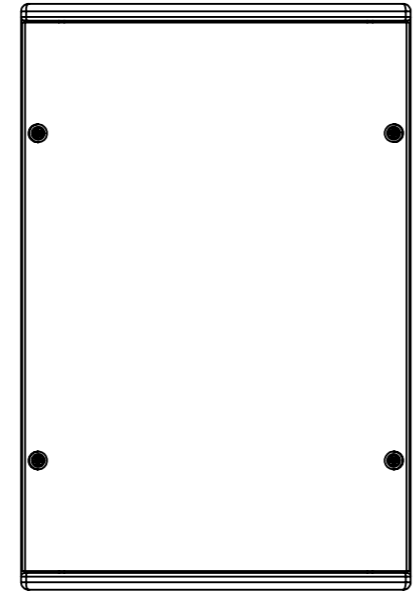
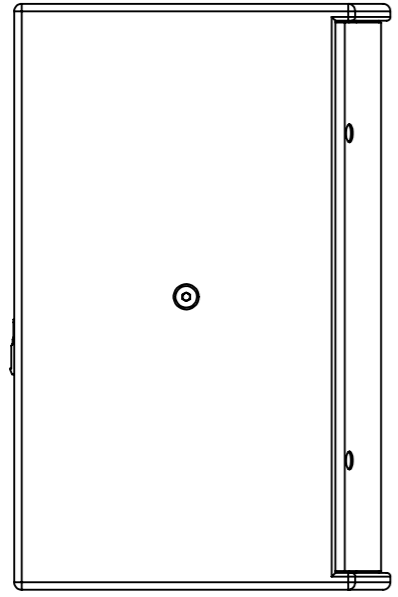
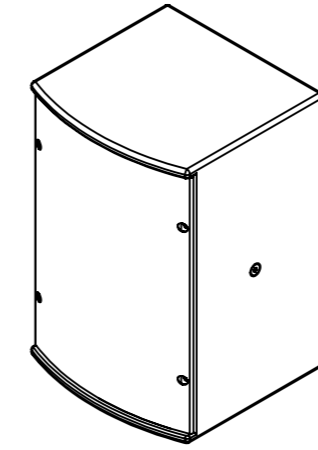
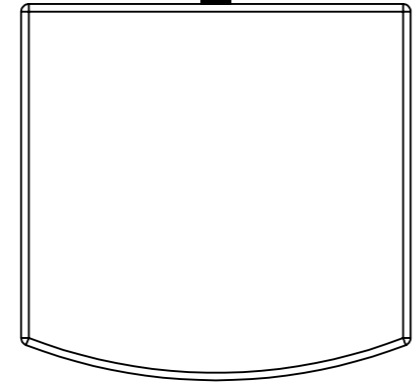
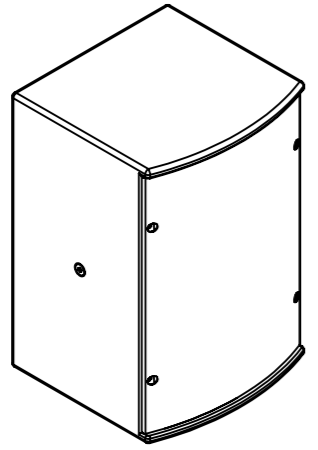
A3 Sheet Scale: 1:4

Filename:

Drawn By: Mike Igglesden

09/10/2024

F61-F1-TD=T0279-00

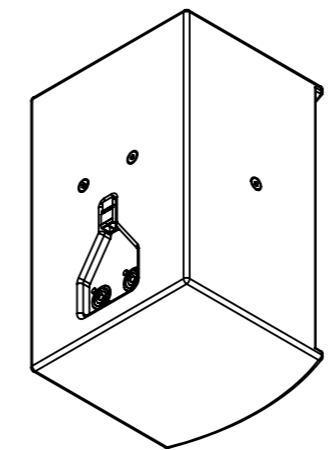
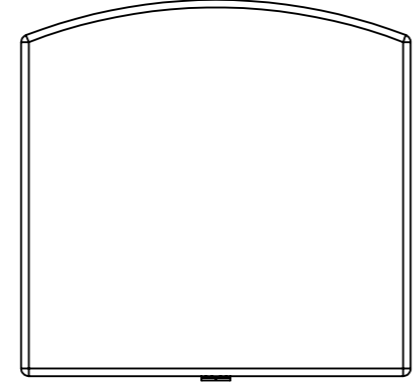
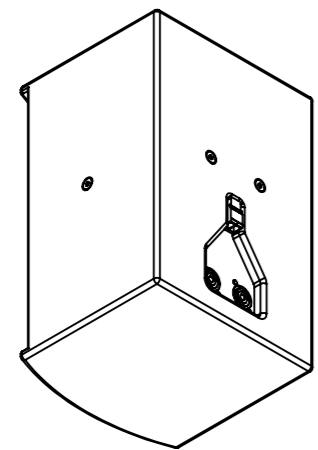
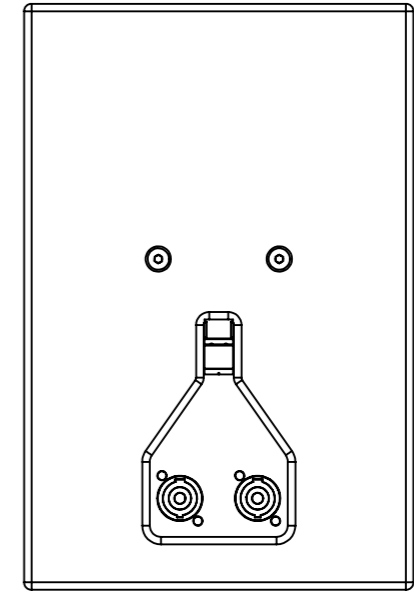
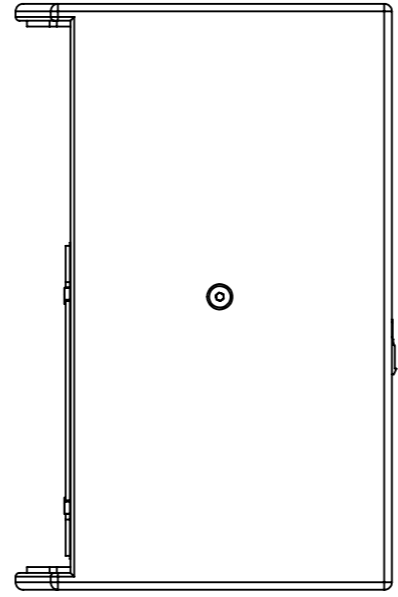
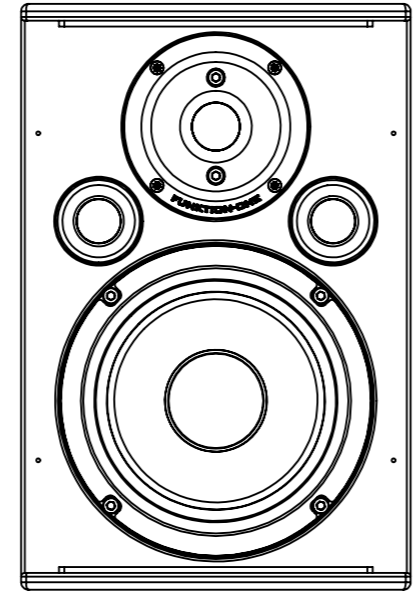
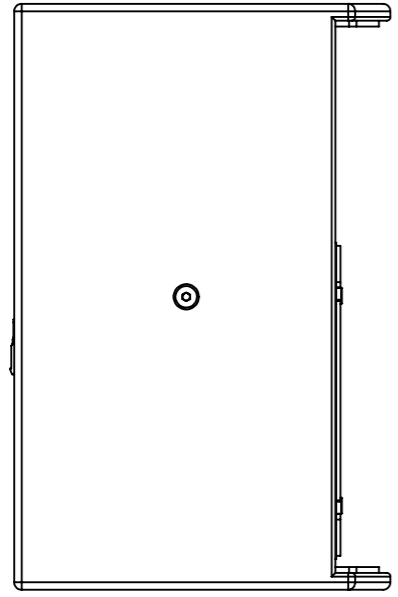
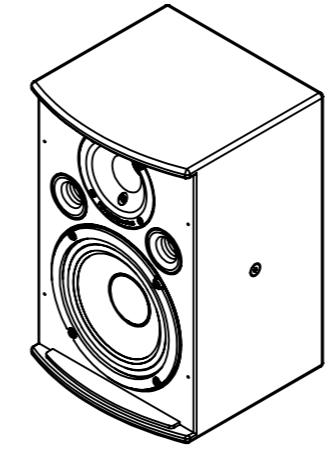
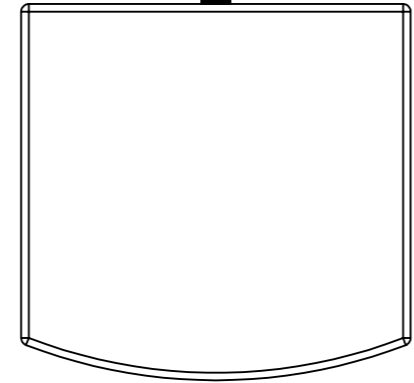
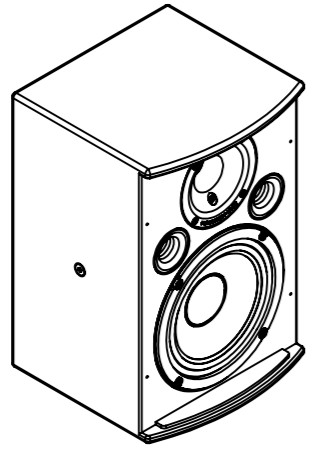


Funktion-One Research LTD
 Hoyle, Beare Green, Dorking, Surrey, RH5 4PS, UK
 mail@funktion-one.com +44 (0)1306 712820

Sheet: Standard
 Funktion-One Product Technical Drawing

A3 Sheet Scale: 1:4
 Filename:

Drawn By: Mike Igglesden 09/10/2024
F61-F1-TD=T0279-00



Funktion-One Research LTD
 Hoyle, Beare Green, Dorking, Surrey, RH5 4PS, UK
 mail@funktion-one.com +44 (0)1306 712820

Sheet: No Grille
 Funktion-One Product Technical Drawing

A3 Sheet Scale: 1:4
 Filename:

Drawn By: Mike Igglesden 09/10/2024
F61-F1-TD=T0279-00