

Funktion-One Research LTD  
 Hoyle, Beare Green, Dorking, Surrey, RH5 4PS, UK  
 mail@funktion-one.com +44 (0)1306 712820

Sheet: Dimensions  
 Funktion-One Product Technical Drawing

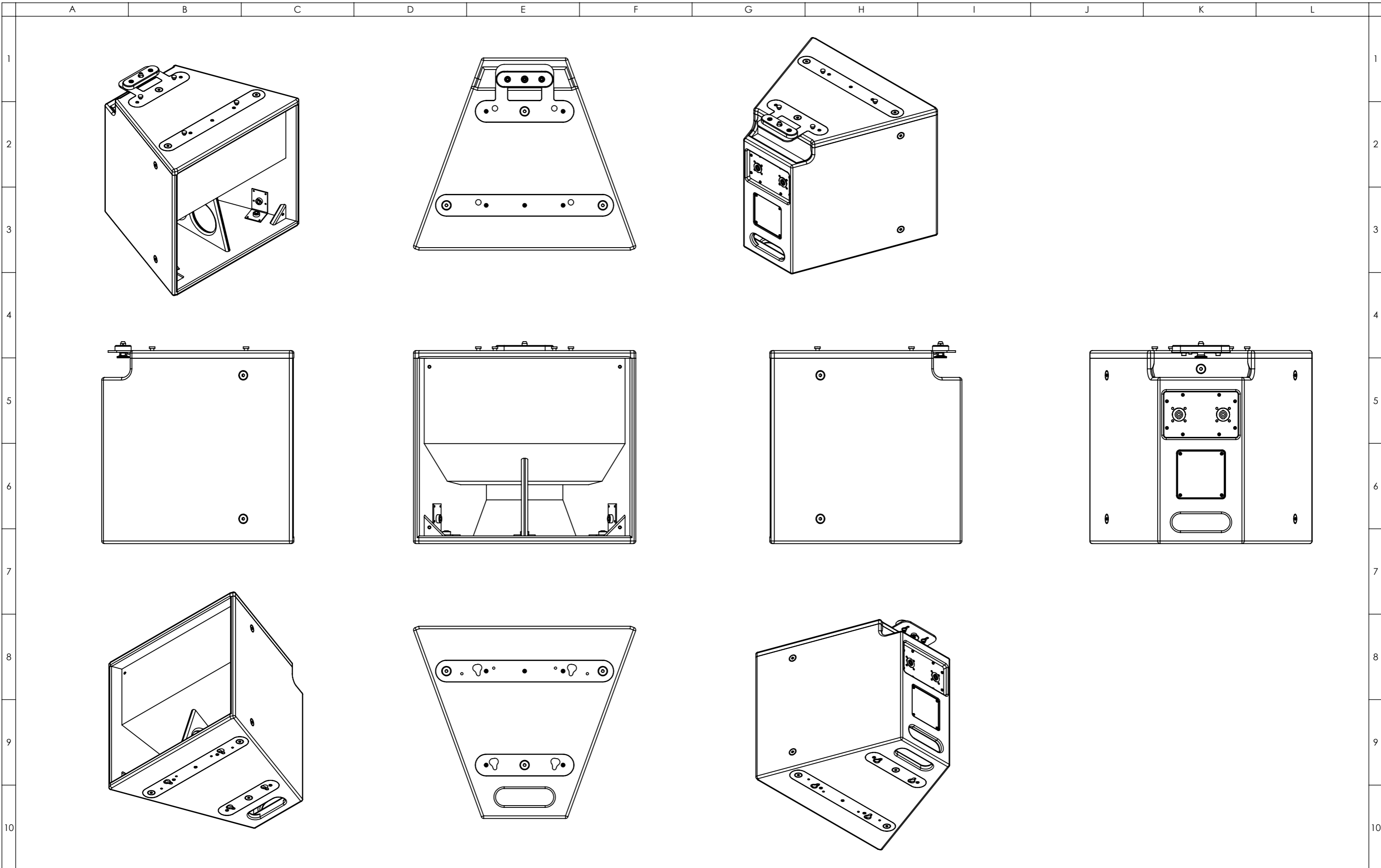
A3 Sheet Scale: 1:8

Drawn By: Mike Igglesden

28/01/2025

Filename:

Evo2L-F1-TD=T0294-00



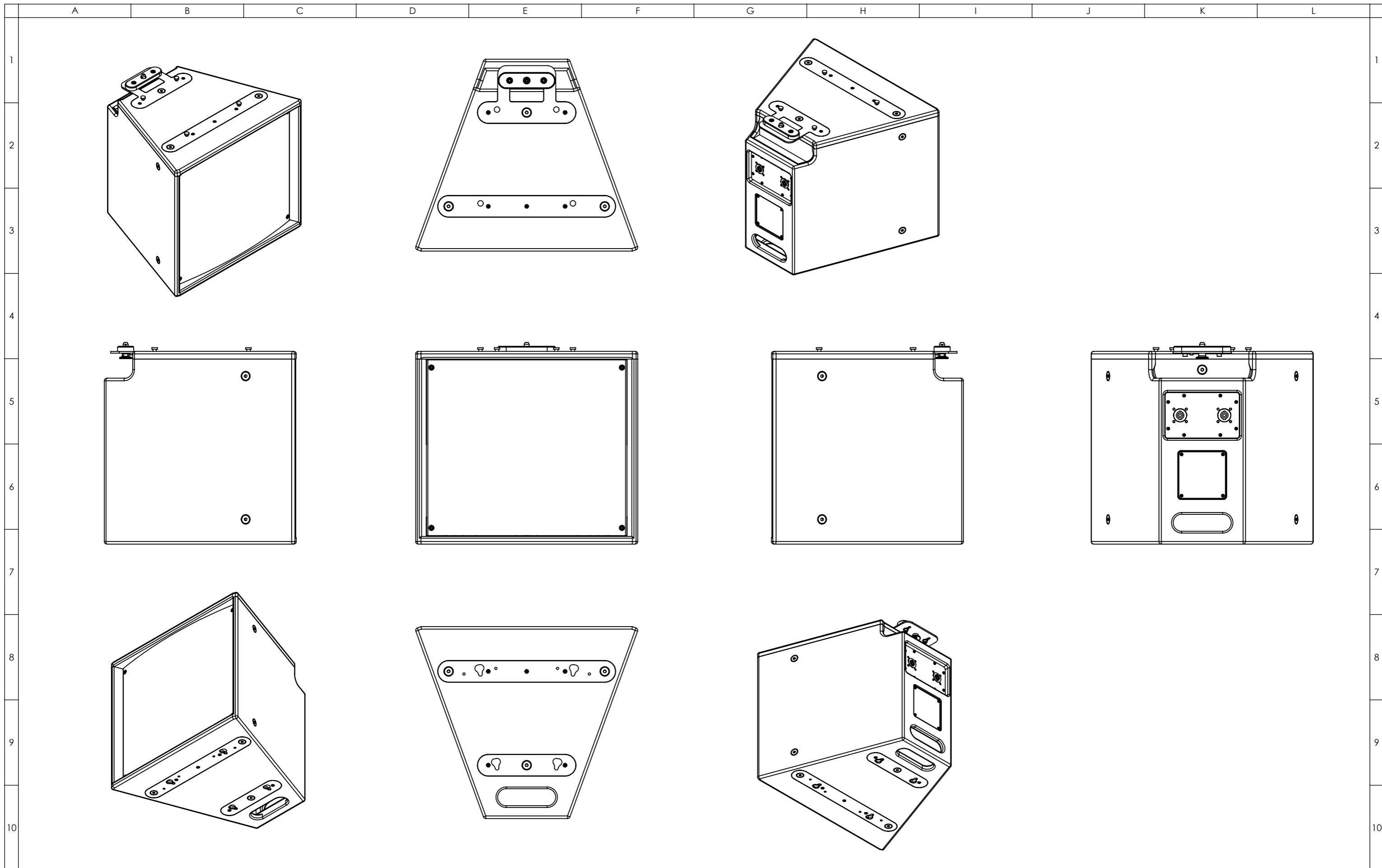
Funktion-One Research LTD  
 Hoyle, Beare Green, Dorking, Surrey, RH5 4PS, UK  
 mail@funktion-one.com +44 (0)1306 712820

Sheet: Standard  
 Funktion-One Product Technical Drawing

A3 Sheet Scale: 1:8  
 Filename:

Drawn By: Mike Igglesden 28/01/2025

Evo2L-F1-TD=T0294-00



Funktion-One Research LTD  
 Hoyle, Beare Green, Dorking, Surrey, RH5 4PS, UK  
 mail@funktion-one.com +44 (0)1306 712820

Sheet: Grille  
 Funktion-One Product Technical Drawing

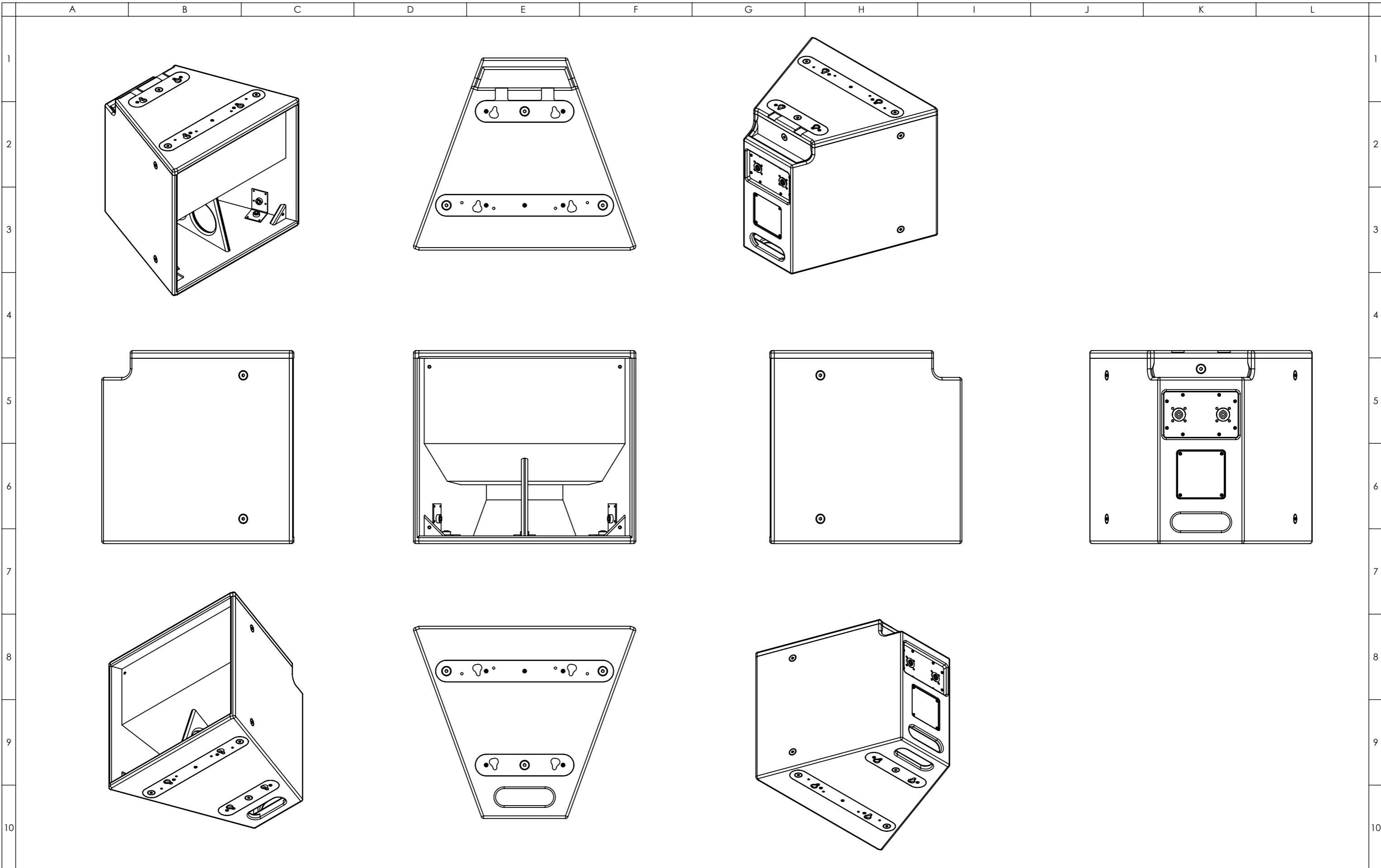
A3 Sheet Scale: 1:8

Drawn By: Mike Igglesden

28/01/2025

Filename:

Evo2L-F1-TD=T0294-00



Funktion-One Research LTD  
 Hoyle, Beare Green, Dorking, Surrey, RH5 4PS, UK  
 mail@funktion-one.com +44 (0)1306 712820

Sheet: Install  
 Funktion-One Product Technical Drawing

A3 Sheet Scale: 1:8  
 Filename:

Drawn By: Mike Igglesden 28/01/2025

**Evo2L-F1-TD=T0294-00**