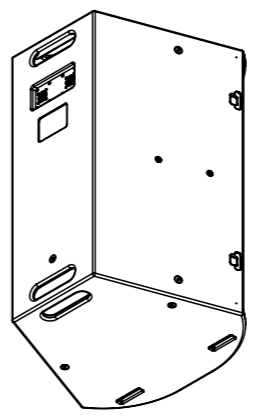
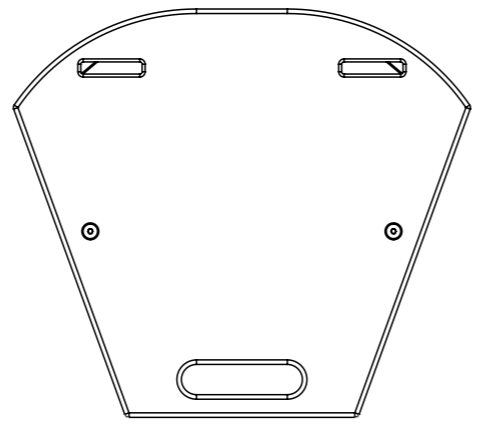
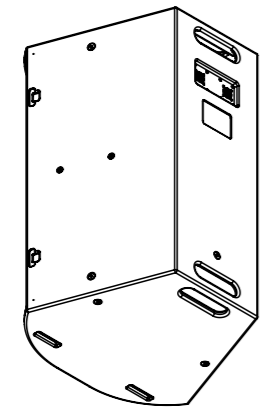
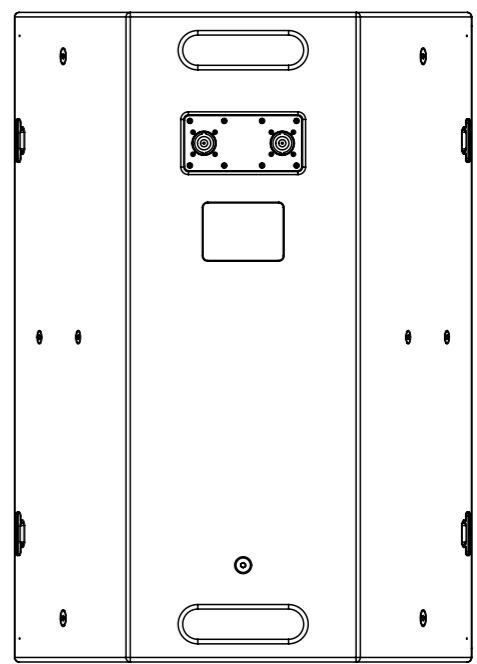
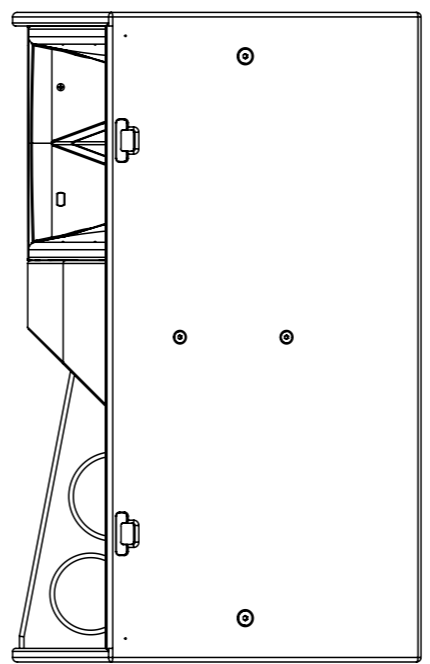
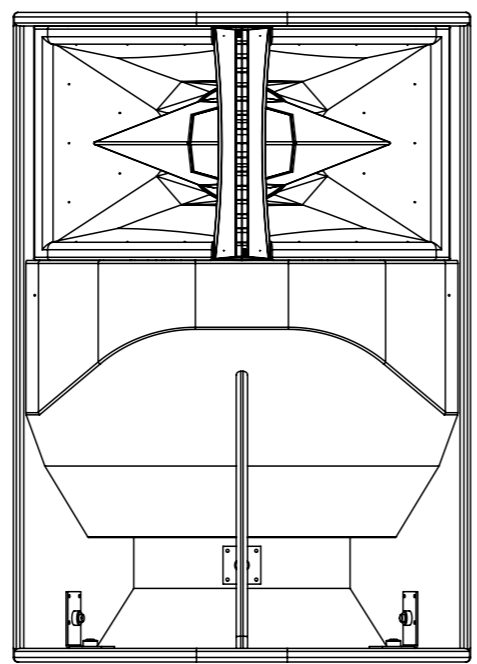
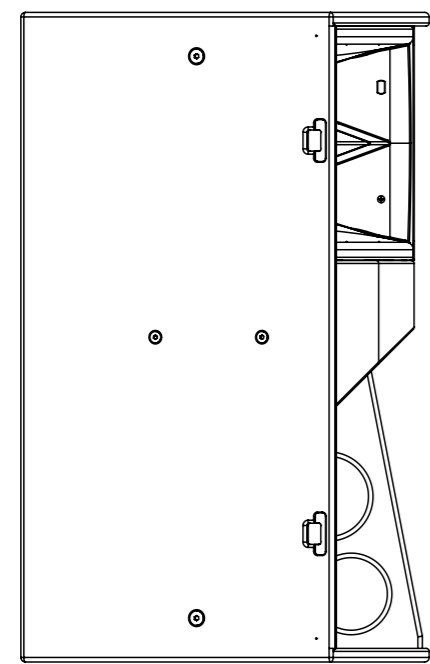
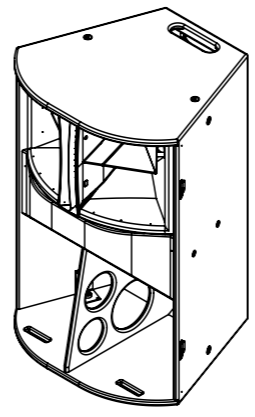
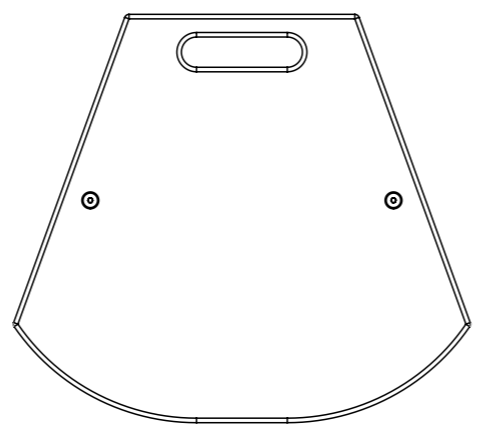
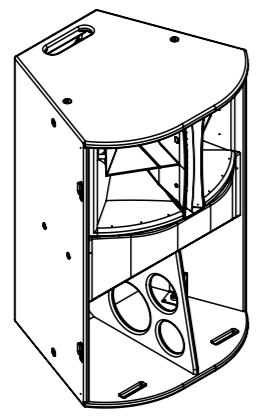


Funktion-One Research LTD  
 Hoyle, Beare Green, Dorking, Surrey, RH5 4PS, UK  
 mail@funktion-one.com +44 (0)1306 712820

Sheet:Dimensions  
 Funktion-One Product Technical Drawing

A3 Sheet Scale: 1:10  
 Filename:

Drawn By: Mike Igglesden 22/08/2021  
 EX-F1-TD=T0001-00

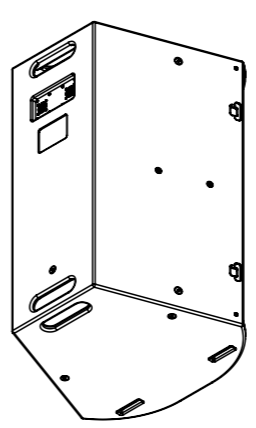
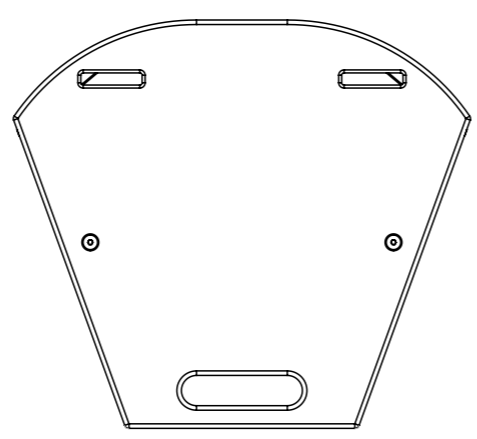
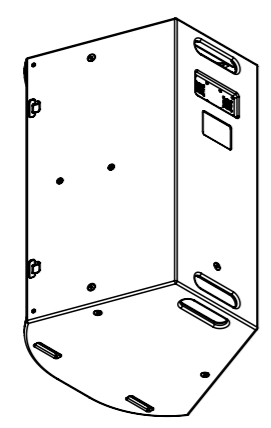
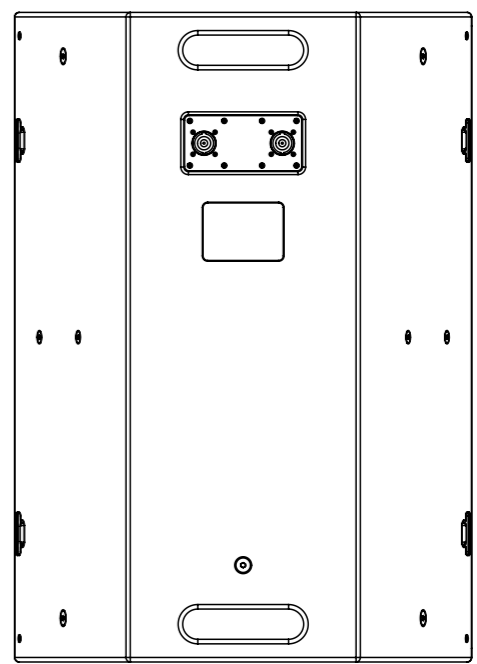
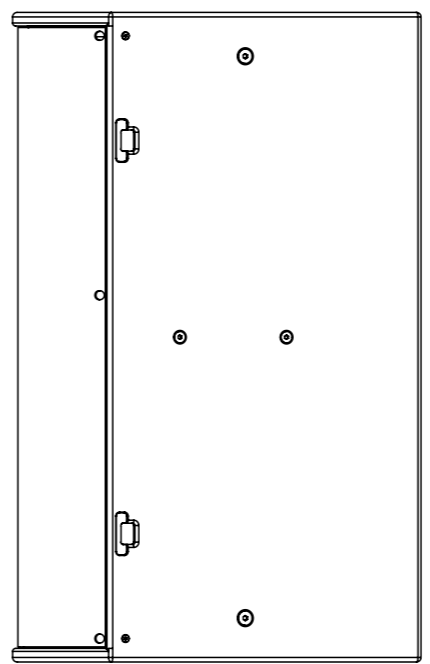
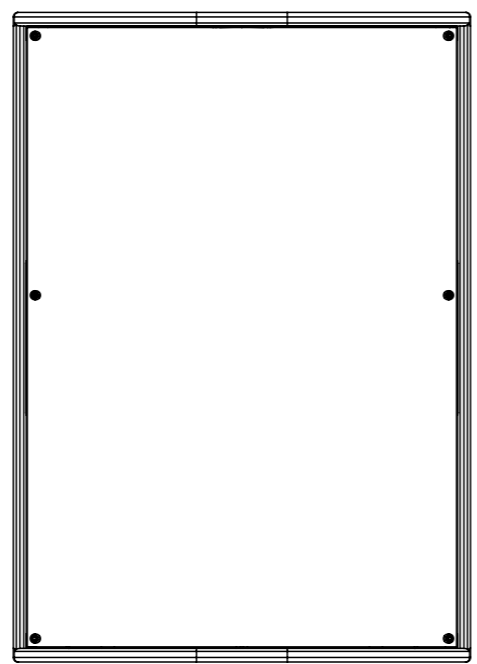
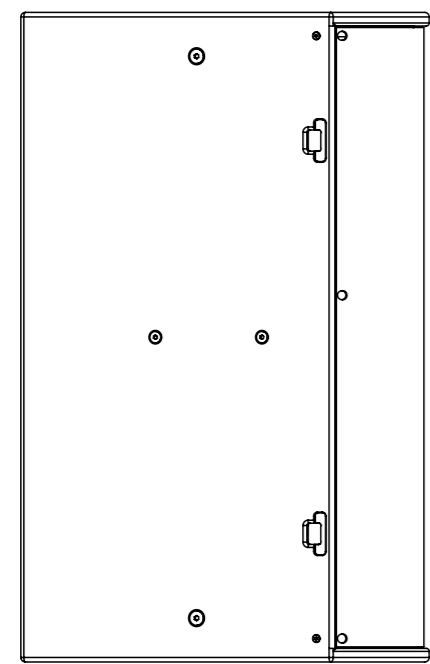
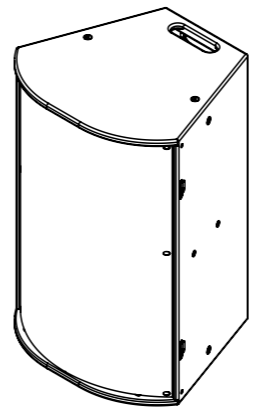
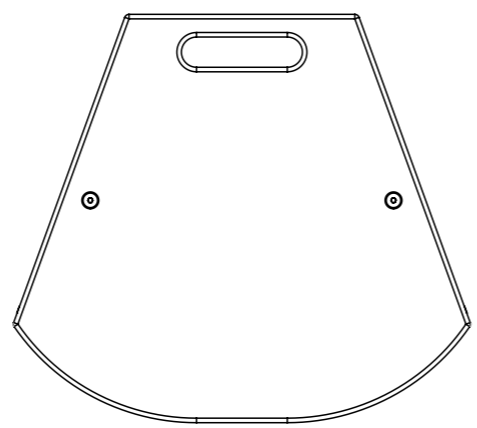
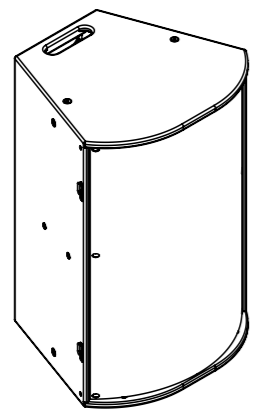


Funktion-One Research LTD  
 Hoyle, Beare Green, Dorking, Surrey, RH5 4PS, UK  
 mail@funktion-one.com +44 (0)1306 712820

Sheet: Standard  
 Funktion-One Product Technical Drawing

A3 Sheet Scale: 1:10  
 Filename:

Drawn By: Mike Igglesden 22/08/2021  
 EX-F1-TD=T0001-00



Funktion-One Research LTD  
 Hoyle, Beare Green, Dorking, Surrey, RH5 4PS, UK  
 mail@funktion-one.com +44 (0)1306 712820

Sheet:Grille  
 Funktion-One Product Technical Drawing

A3 Sheet Scale: 1:10  
 Filename:

Drawn By: Mike Igglesden 22/08/2021  
 EX-F1-TD=T0001-00

