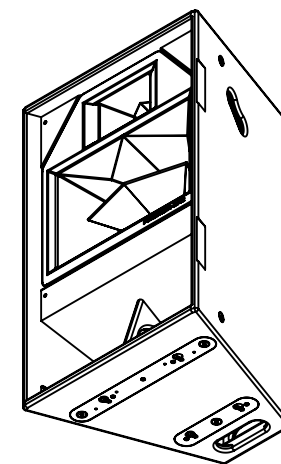
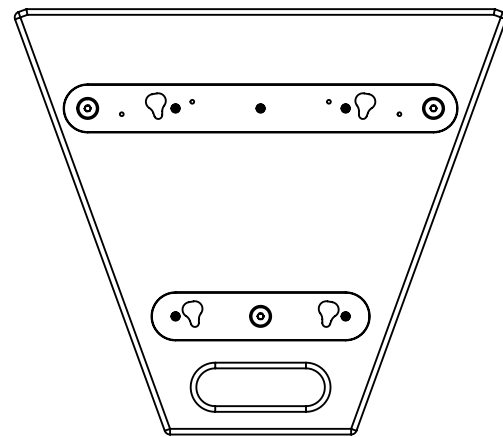
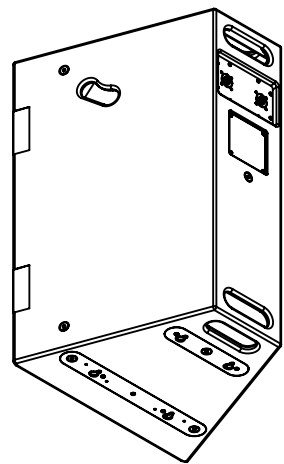
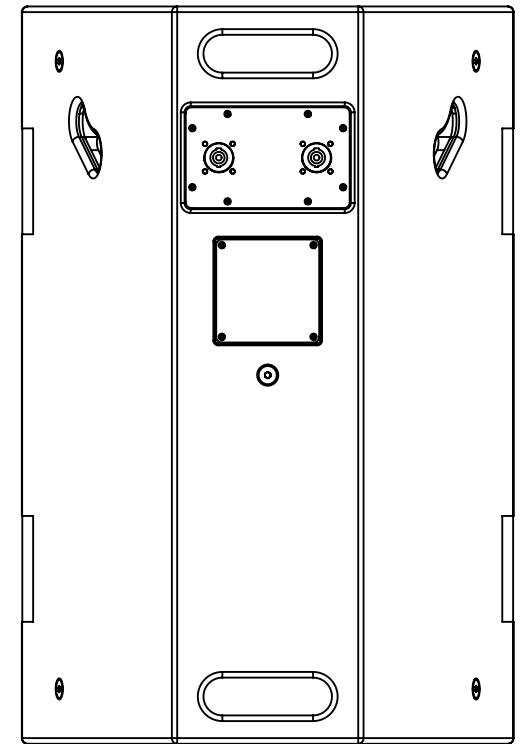
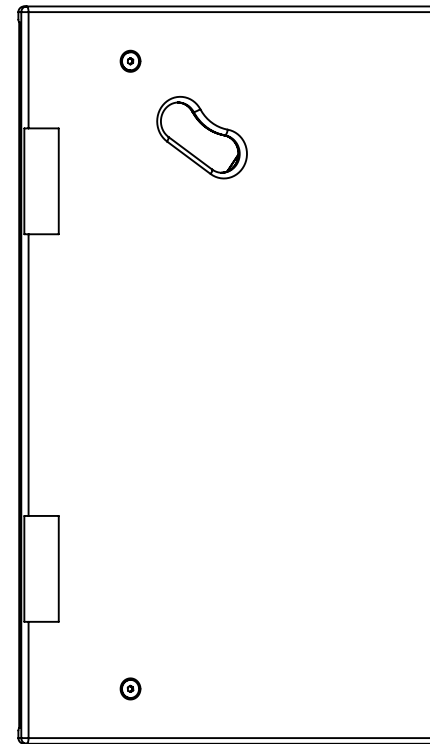
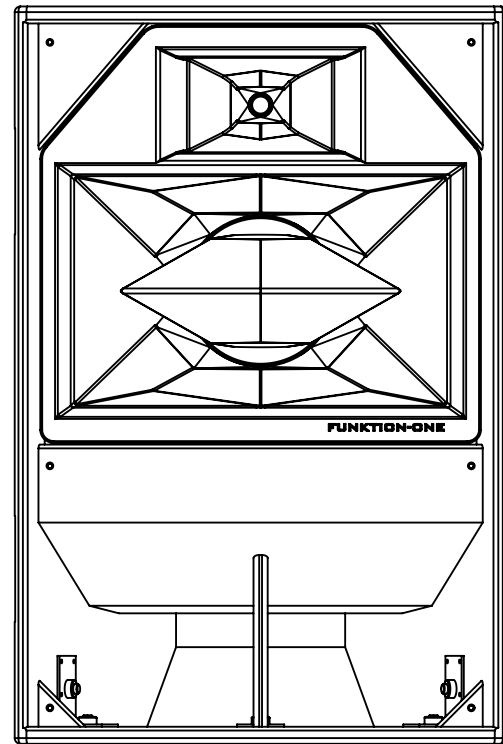
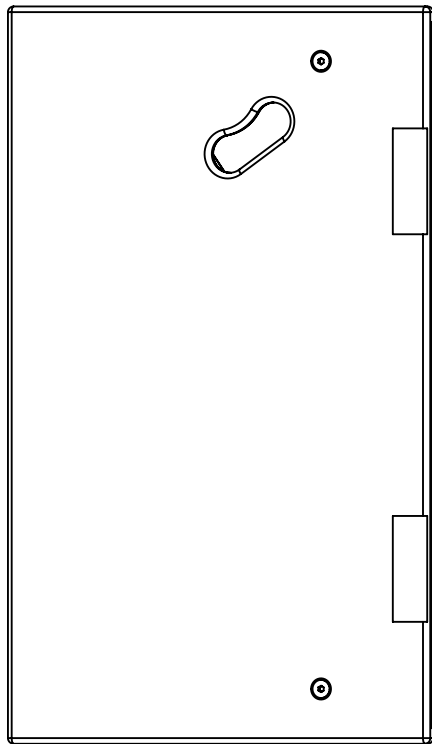
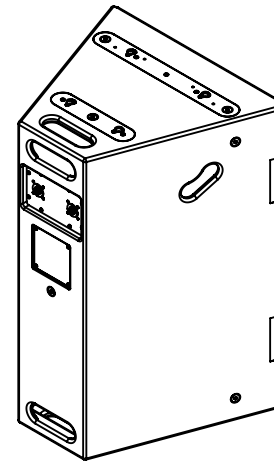
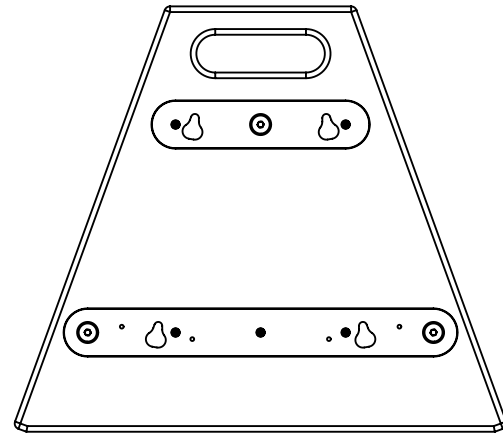
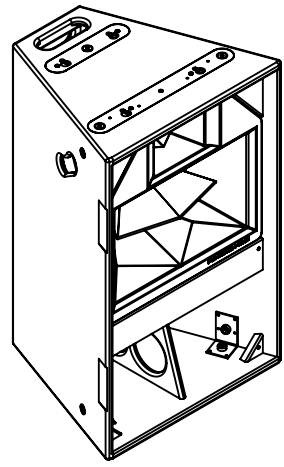


Funktion-One Research LTD  
 Hoyle, Beare Green, Dorking, Surrey, RH5 4PS, UK  
 mail@funktion-one.com +44 (0)1306 712820

Sheet: Dimensions  
 Funktion-One Product Technical Drawing

A3 Sheet Scale: 1:8  
 Filename:

Drawn By: Mike Igglesden 25/06/2024  
 Evo2-F1-TD=T0231-01



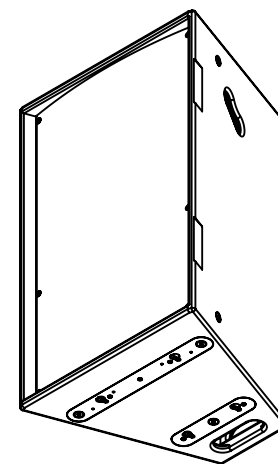
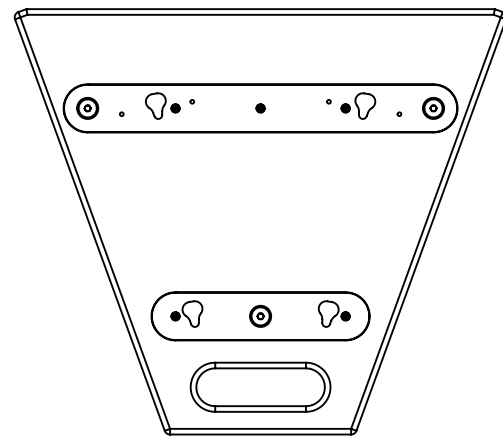
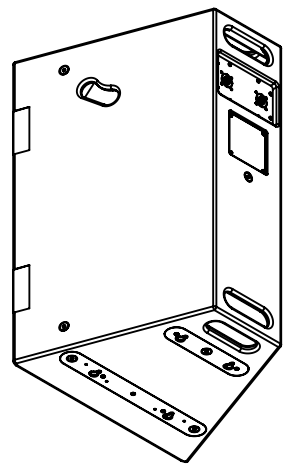
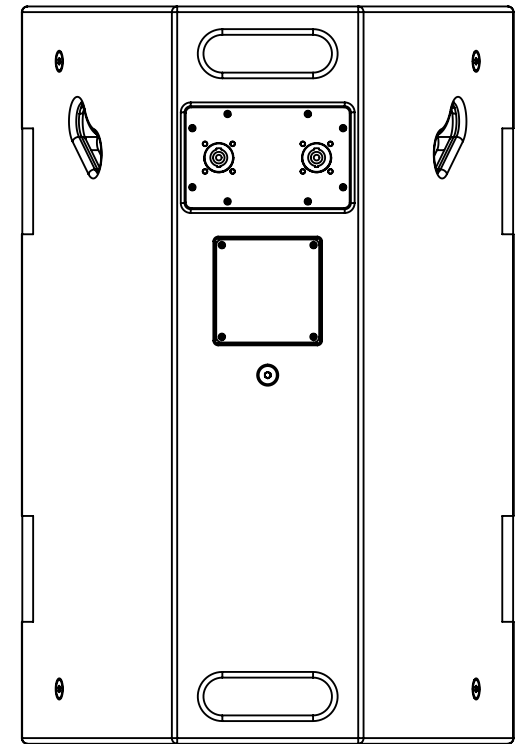
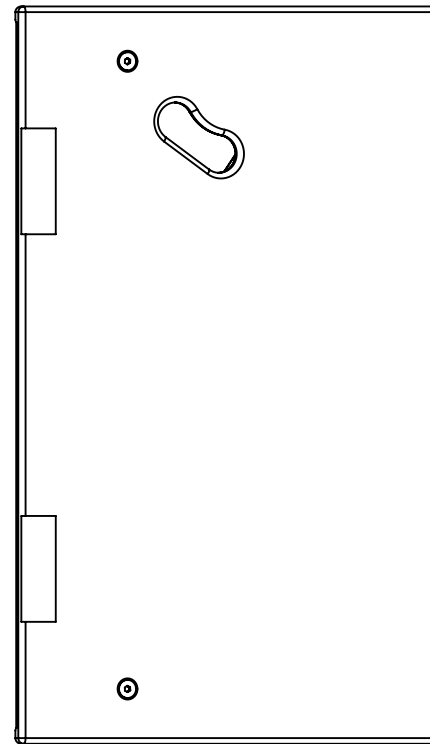
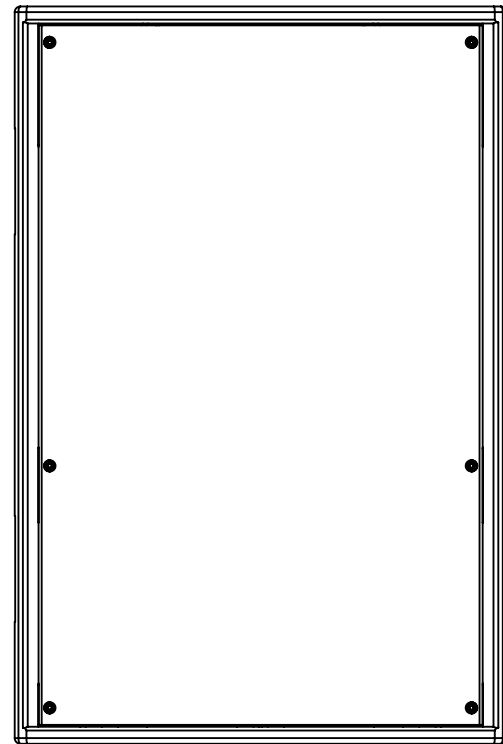
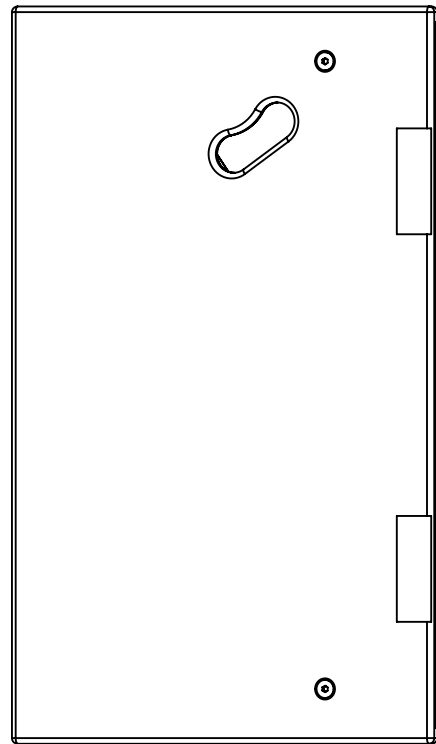
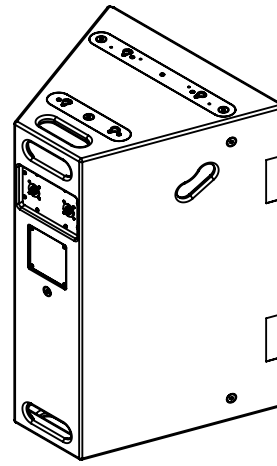
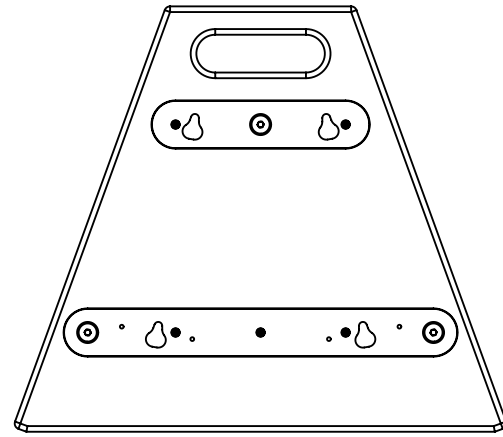
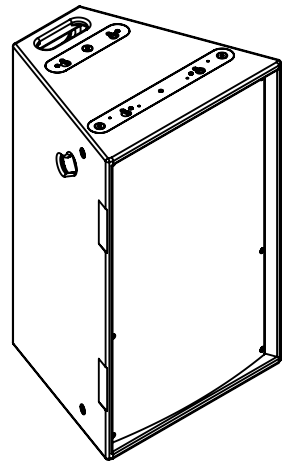
Funktion-One Research LTD  
 Hoyle, Beare Green, Dorking, Surrey, RH5 4PS, UK  
 mail@funktion-one.com +44 (0)1306 712820

Sheet: Standard  
 Funktion-One Product Technical Drawing

A3 Sheet Scale: 1:8  
 Filename:

Drawn By: Mike Igglesden 25/06/2024

Evo2-F1-TD=T0231-01



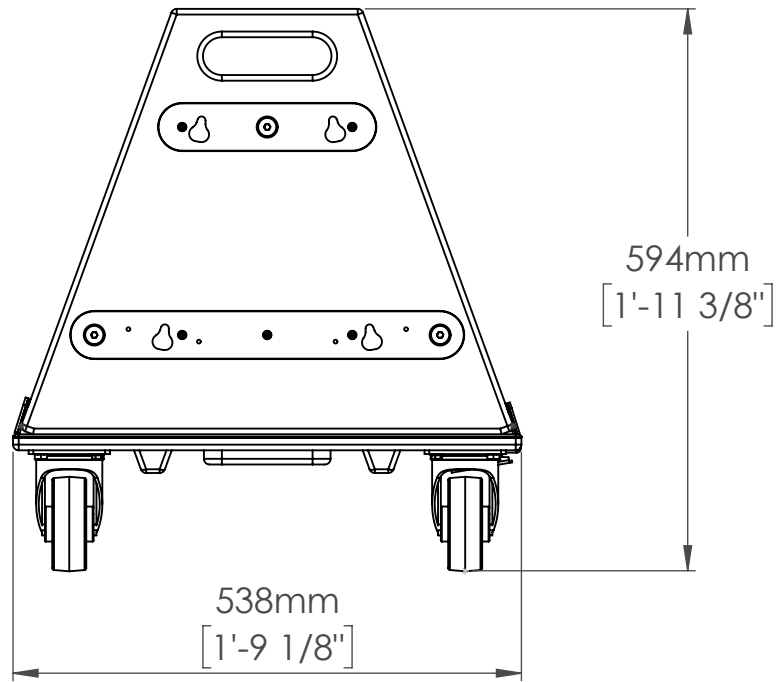
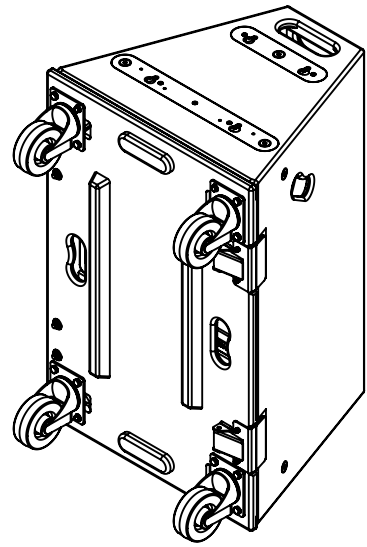
Funktion-One Research LTD  
 Hoyle, Beare Green, Dorking, Surrey, RH5 4PS, UK  
 mail@funktion-one.com +44 (0)1306 712820

Sheet: Grille  
 Funktion-One Product Technical Drawing

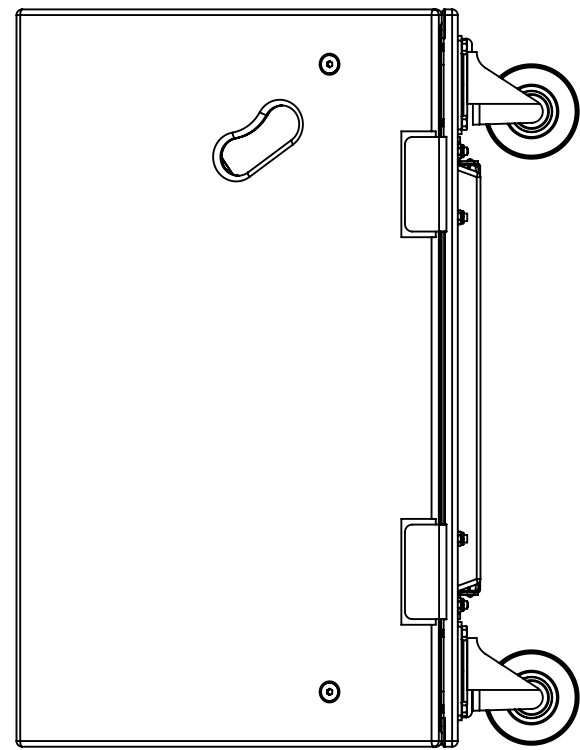
A3 Sheet Scale: 1:8  
 Filename:

Drawn By: Mike Igglesden 25/06/2024

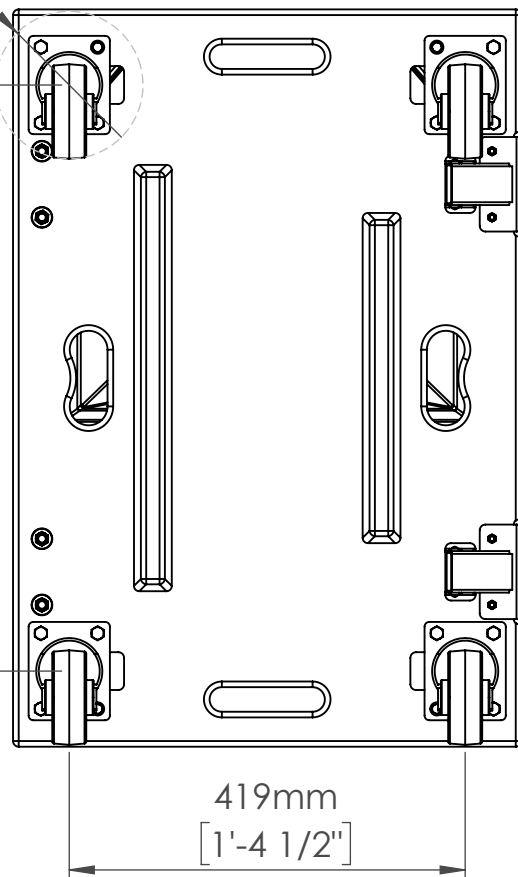
Evo2-F1-TD=T0231-01



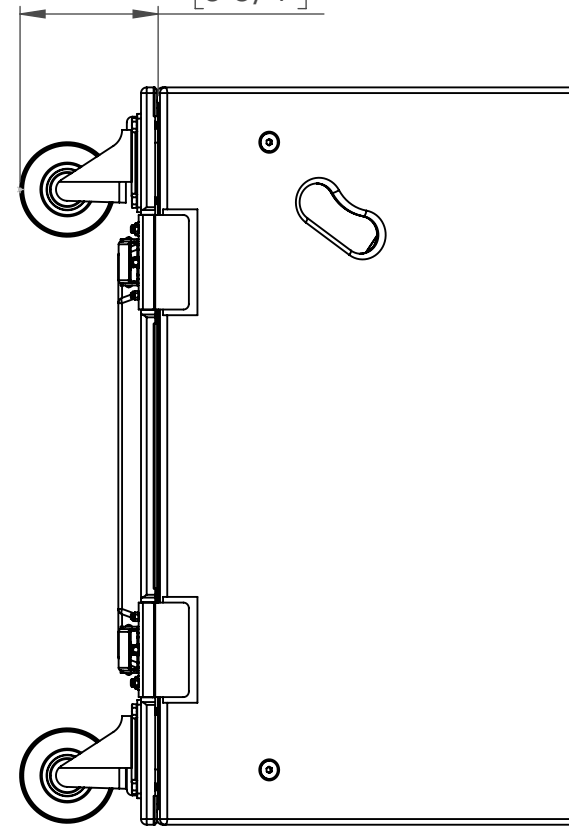
Ø 156mm  
[6 1/8"]



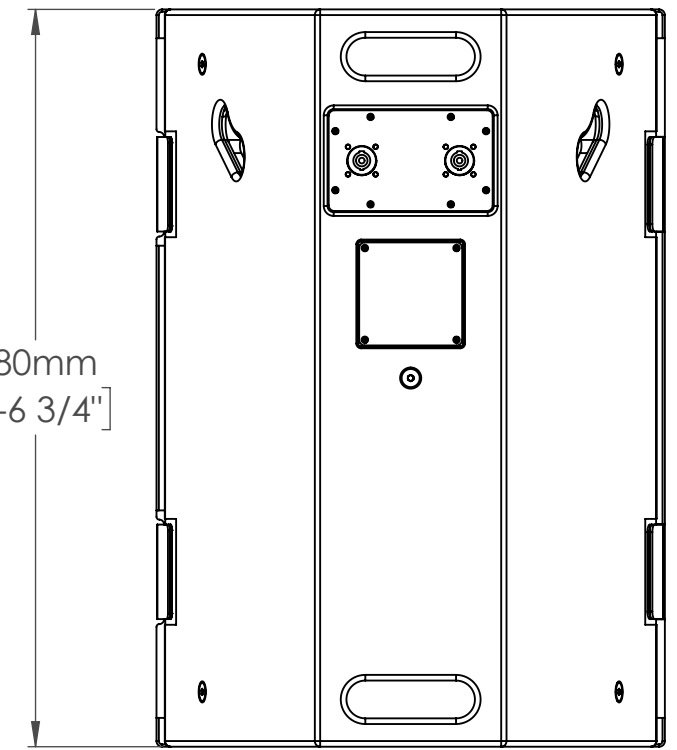
620mm  
[2'-3 3/8"]



146mm  
[5 3/4"]



780mm  
[2'-6 3/4"]



Funktion-One Research LTD  
Hoyle, Beare Green, Dorking, Surrey, RH5 4PS, UK  
mail@funktion-one.com +44 (0)1306 712820

Sheet: Wheelboard

Funktion-One Product Technical Drawing

A3 Sheet Scale: 1:8

Filename:

Drawn By: Mike Igglesden

25/06/2024

Evo2-F1-TD=T0231-01