

Funktion-One Research LTD
 Hoyle, Beare Green, Dorking, Surrey, RH5 4PS, UK
 mail@funktion-one.com +44 (0)1306 712820

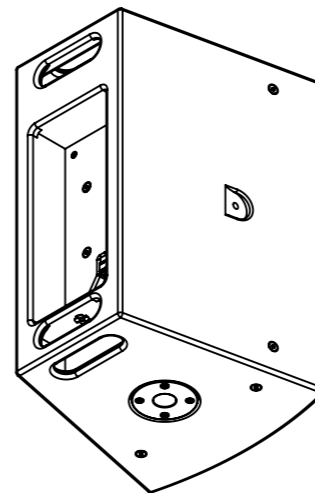
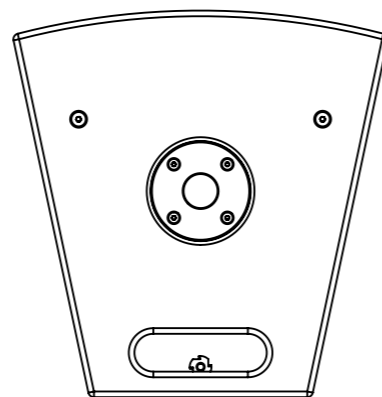
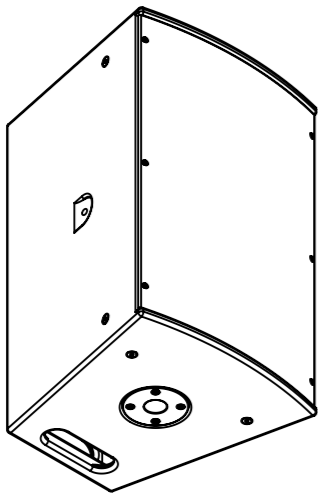
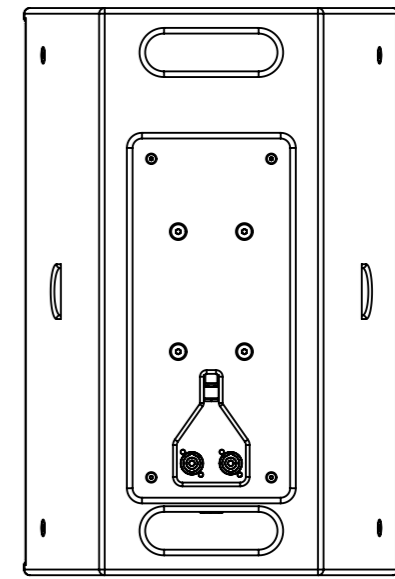
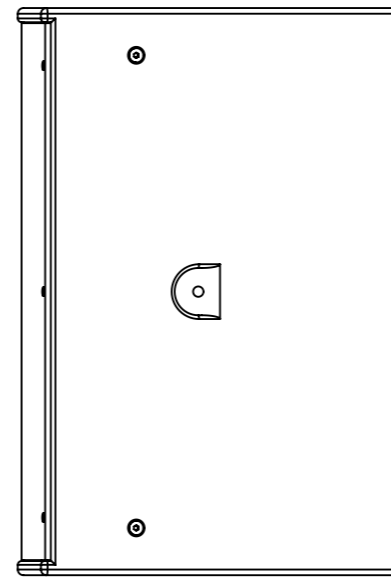
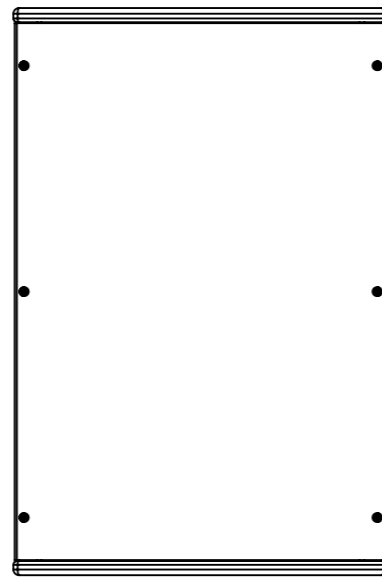
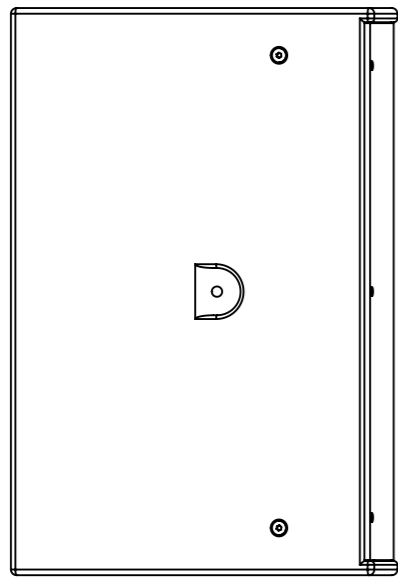
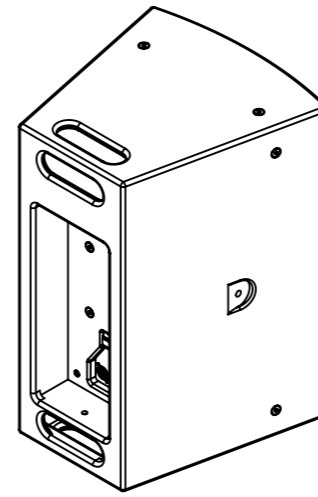
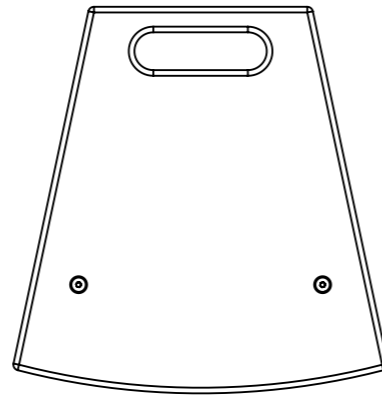
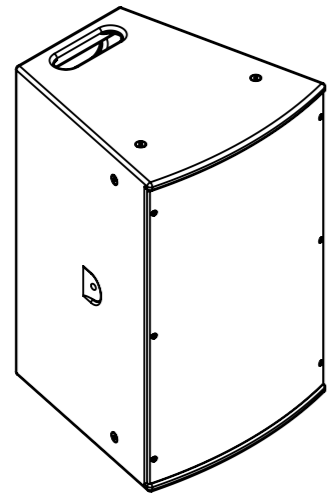
Sheet: Dimensions
 Funktion-One Product Technical Drawing

A3 Sheet Scale: 1:8

Drawn By: Mike Igglesden 12/09/2022

Filename:

F1201.2-F1-TD=T0080-00



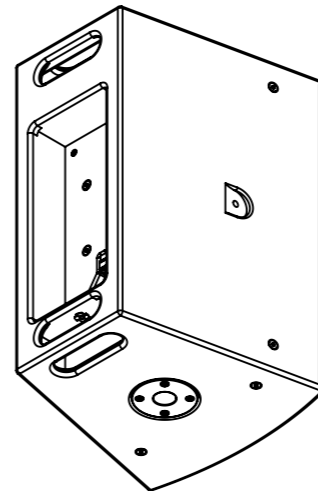
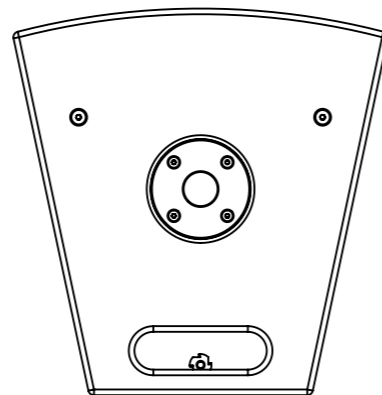
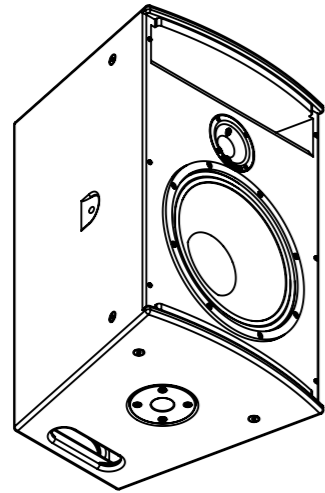
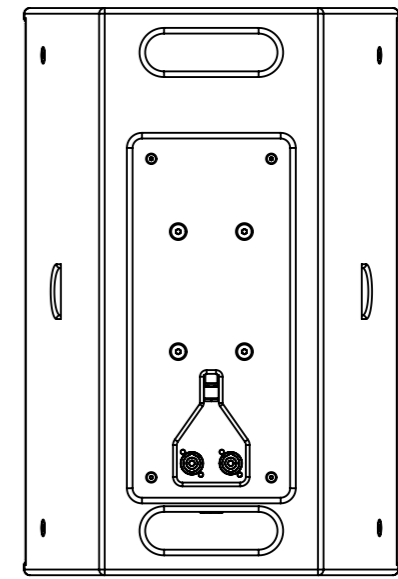
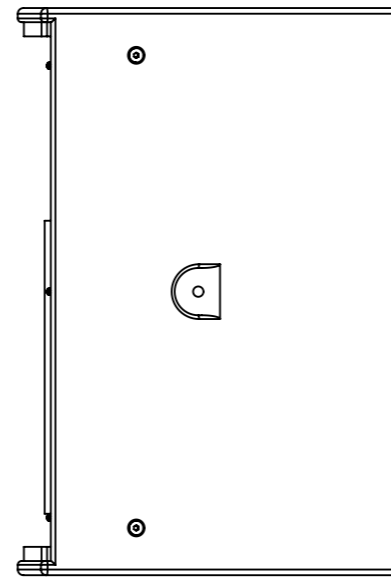
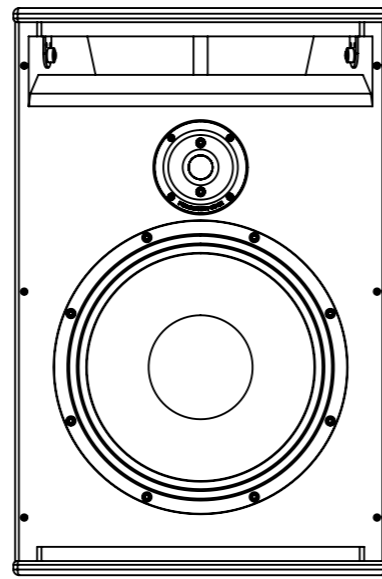
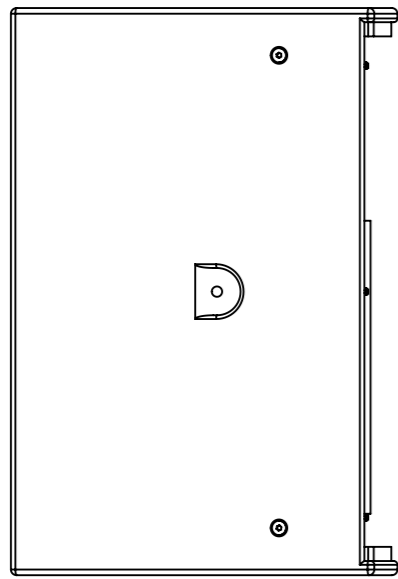
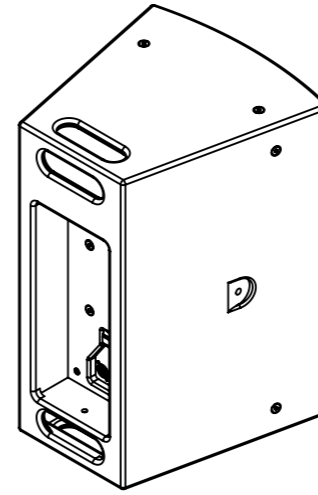
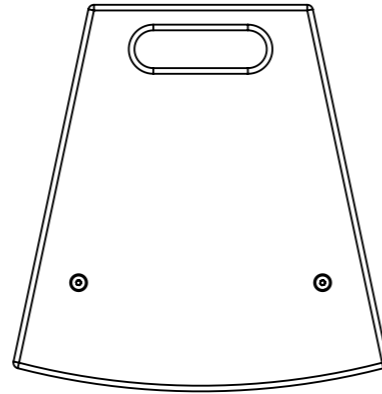
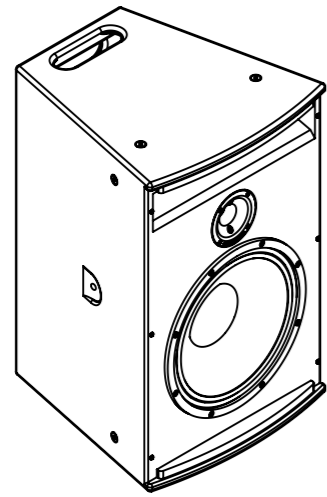
Funktion-One Research LTD
 Hoyle, Beare Green, Dorking, Surrey, RH5 4PS, UK
 mail@funktion-one.com +44 (0)1306 712820

Sheet: Standard
 Funktion-One Product Technical Drawing

A3 Sheet Scale: 1:8
 Filename:

Drawn By: Mike Igglesden 12/09/2022

F1201.2-F1-TD=T0080-00



Funktion-One Research LTD
 Hoyle, Beare Green, Dorking, Surrey, RH5 4PS, UK
 mail@funktion-one.com +44 (0)1306 712820

Sheet: No Grille
 Funktion-One Product Technical Drawing

A3 Sheet Scale: 1:8
 Filename:

Drawn By: Mike Igglesden 12/09/2022

F1201.2-F1-TD=T0080-00