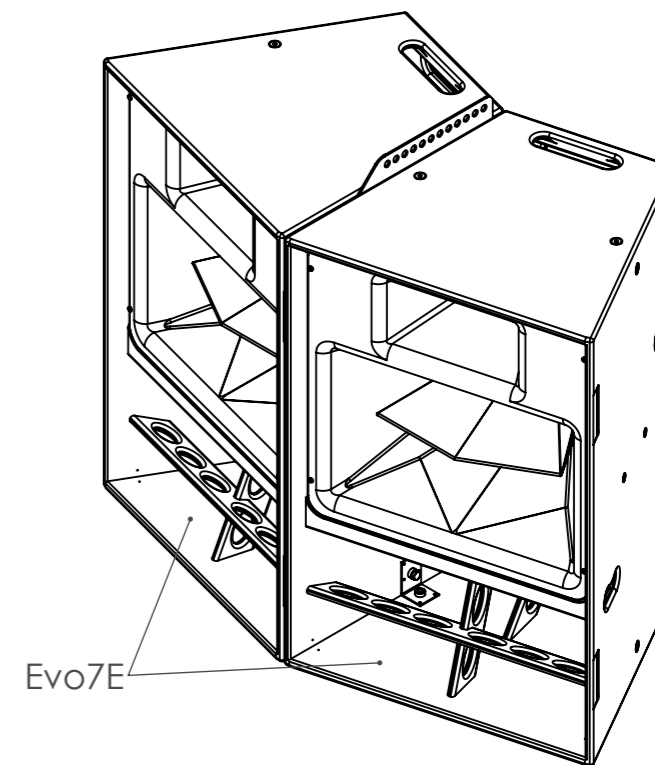
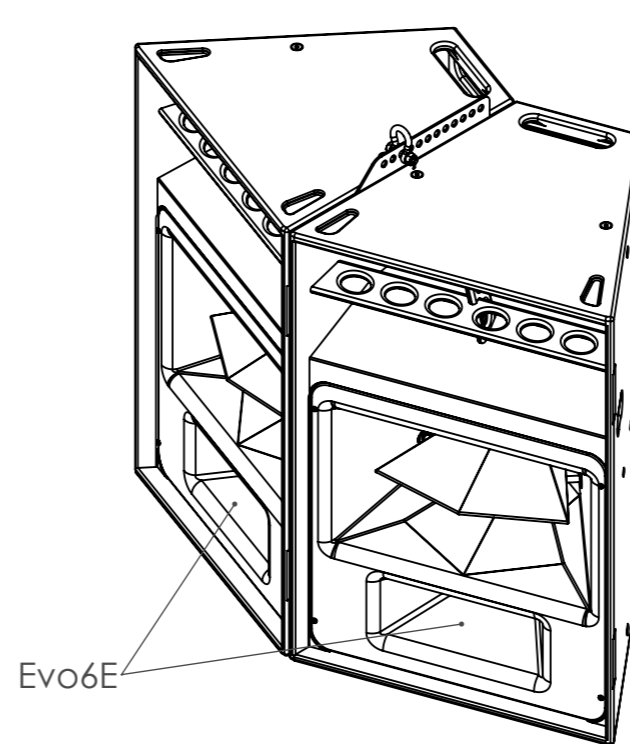
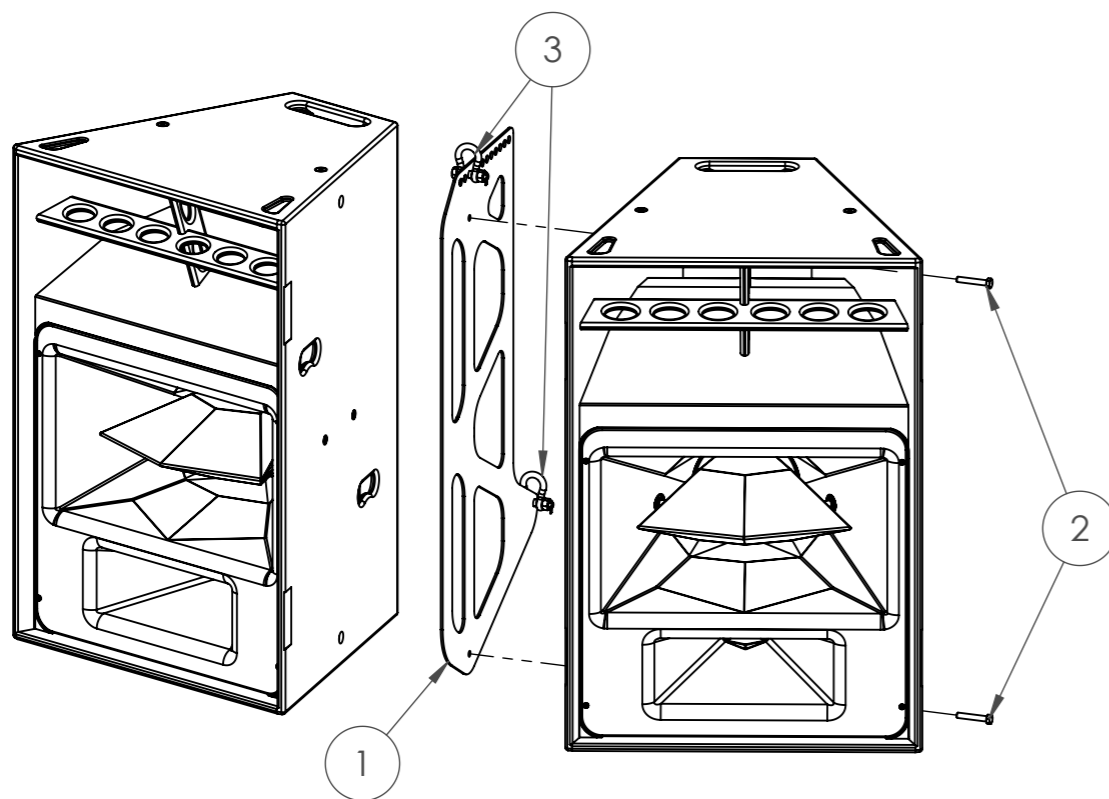


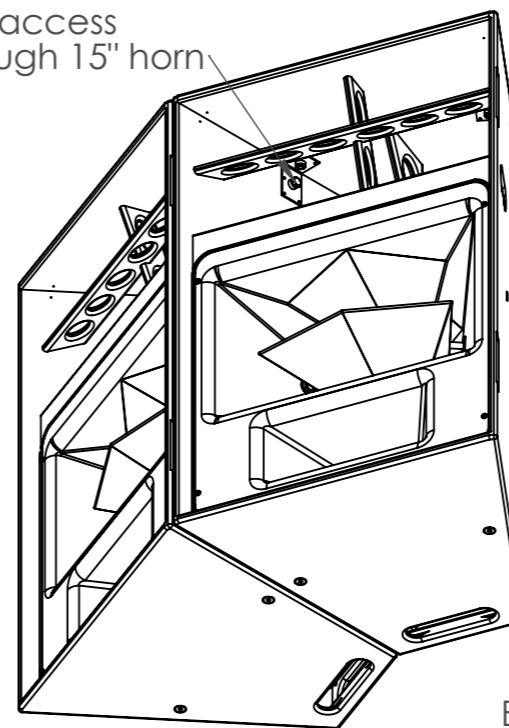
CFPK-2E67
Centre Fly Plate Kit for 2 wide Evo6E or Evo7E Loudspeakers

This accessory kit facilitates flown arrays of two wide Evo6E or Evo7E loudspeakers. The cabinets can be arrayed in either orientation, HF at the top or bottom. The choice of pick up point along the top rib allows for single point pick up with different tilt angles, or with the lower rear point for dual point pick up.

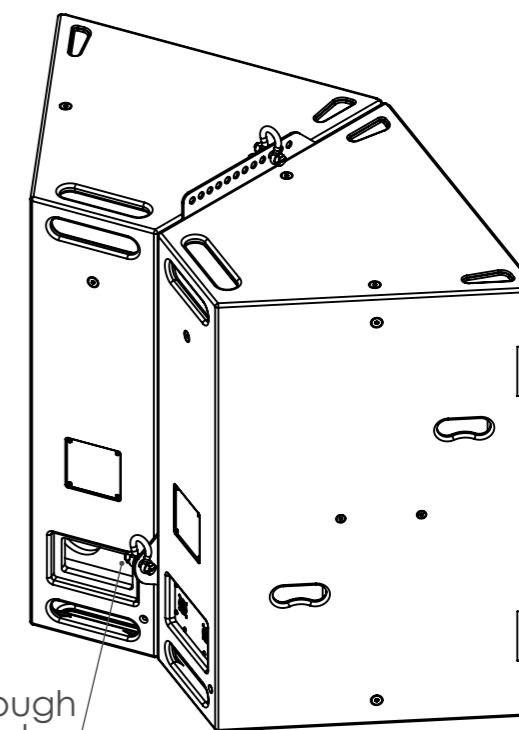


The array is bolted together with the custom bolts from one loudspeaker, though the fly plate into the other loudspeaker. To fit the fly plate, remove the M10 blanking bolts from the inside side faces of the loudspeakers. Thread the bolts into the flypoints from the inside of one loudspeaker until clear of thread. Access is through the connector panel and 15" horn. Offer up fly plate and other loudspeakers, then continue to thread bolt into fly point of other loudspeaker.

Bolt access through 15" horn



Bolt Access through connector panel



ITEM	DESCRIPTION	QUANTITY
1	Flyplate - 4mm Stainless steel	1
2	M10 x 70mm custom bolt with split washer	2
3	Recommended 1.5t Bow Shackle - Not supplied.	1 or 2

Funktion-One Research LTD
Hoyle, Beare Green, Dorking, Surrey, RH5 4PS, UK
mail@funktion-one.com +44 (0)1306 712820

Sheet: 2 Wide Detail Drawing

Funktion-One Accessory Drawing

A3 Sheet Scale: 1:14

Filename:

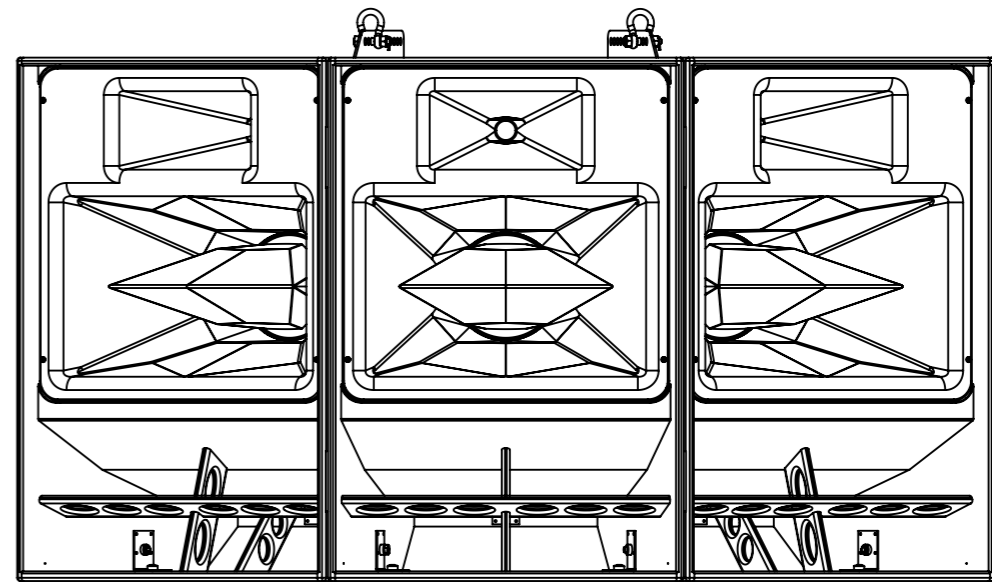
Drawn By: Mike Igglesden

13/03/2025

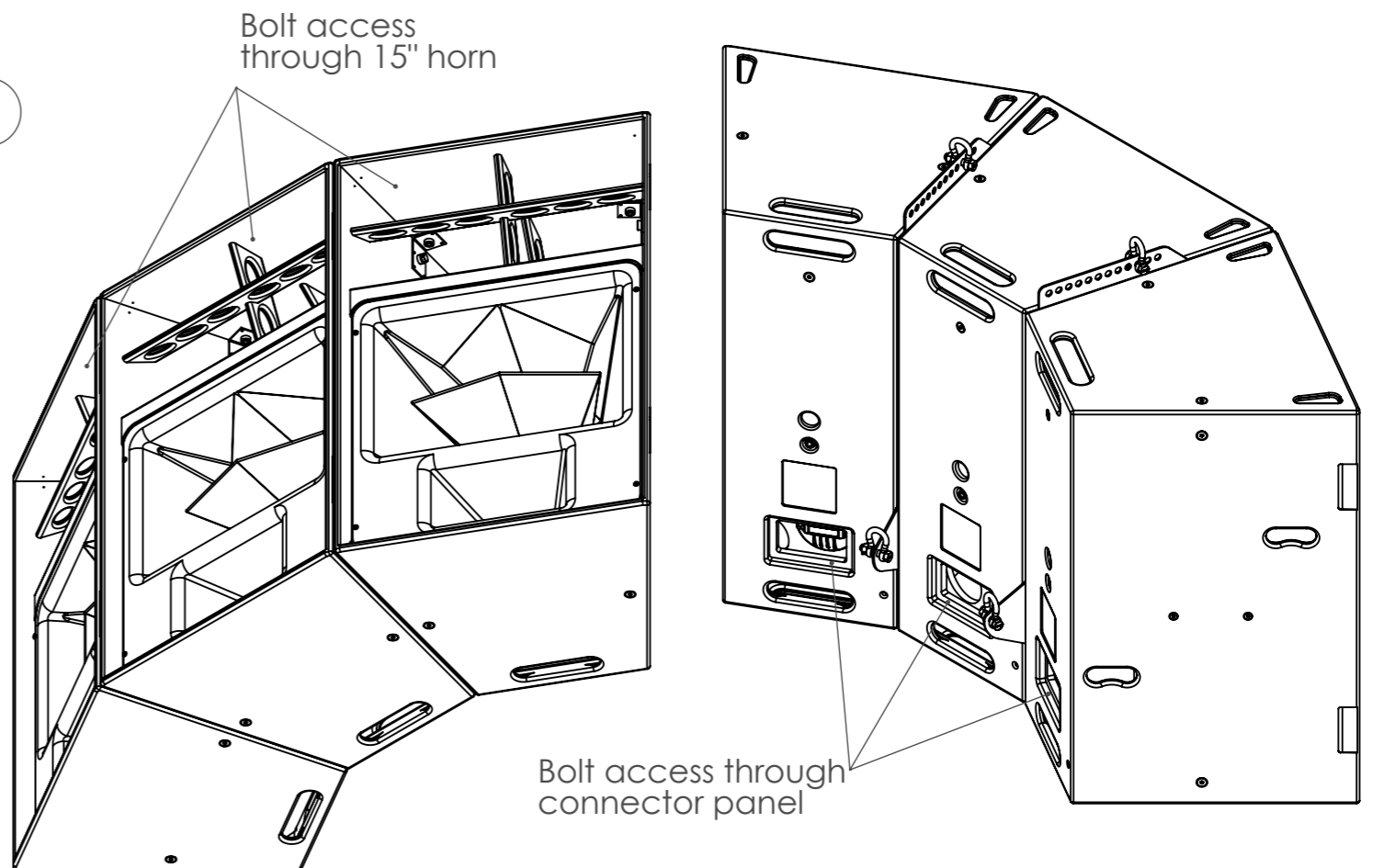
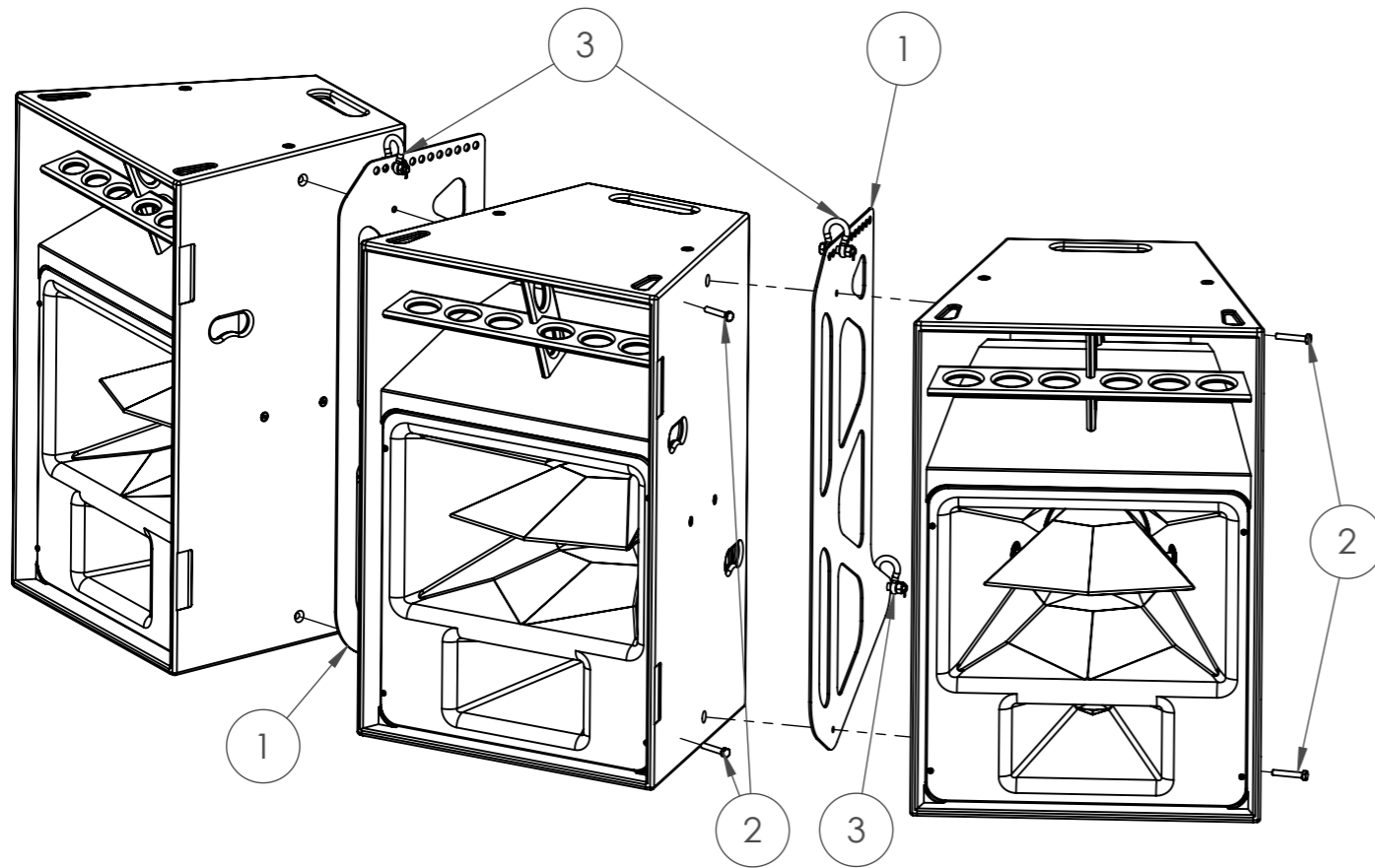
CFPK-2E67-F1-AD=T0068-02

CFPK-2E67 x 2
Centre Fly Plate Kits for 3 wide Evo7E Loudspeakers

This accessory kit facilitates flown arrays of three wide Evo7E loudspeakers. Three wide Evo6E loudspeakers is also possible but this is not a recommended configuration due to the very wide dispersion. The speakers can be arrayed in either orientation, HF at the top or bottom. The choice of pick up point along the top rib allows for dual point pick up with different tilt angles, or with the lower rear point for tri point pick up. We recommend a bridle to the rear pick up point



The array is bolted together with the custom bolts from one loudspeaker, though the fly plate into the other loudspeaker. To fit the fly plate, remove the M10 blanking bolts from the inside side faces of the loudspeakers. Thread the bolts into the flypoints from the inside of one loudspeaker until clear of thread. Access is through the connector panel and 15" horn. Offer up fly plate and other loudspeakers, then continue to thread bolt into fly point of other loudspeaker.



ITEM	DESCRIPTION	QUANTITY
1	Flyplate - 4mm Stainless steel	2
2	M10 x 70mm custom bolt and split washer	4
3	Recommended 1.5t Bow Shackle - Not supplied.	4

Funktion-One Research LTD
Hoyle, Beare Green, Dorking, Surrey, RH5 4PS, UK
mail@funktion-one.com +44 (0)1306 712820

Sheet: 3 Wide Detail Drawing

Funktion-One Accessory Drawing

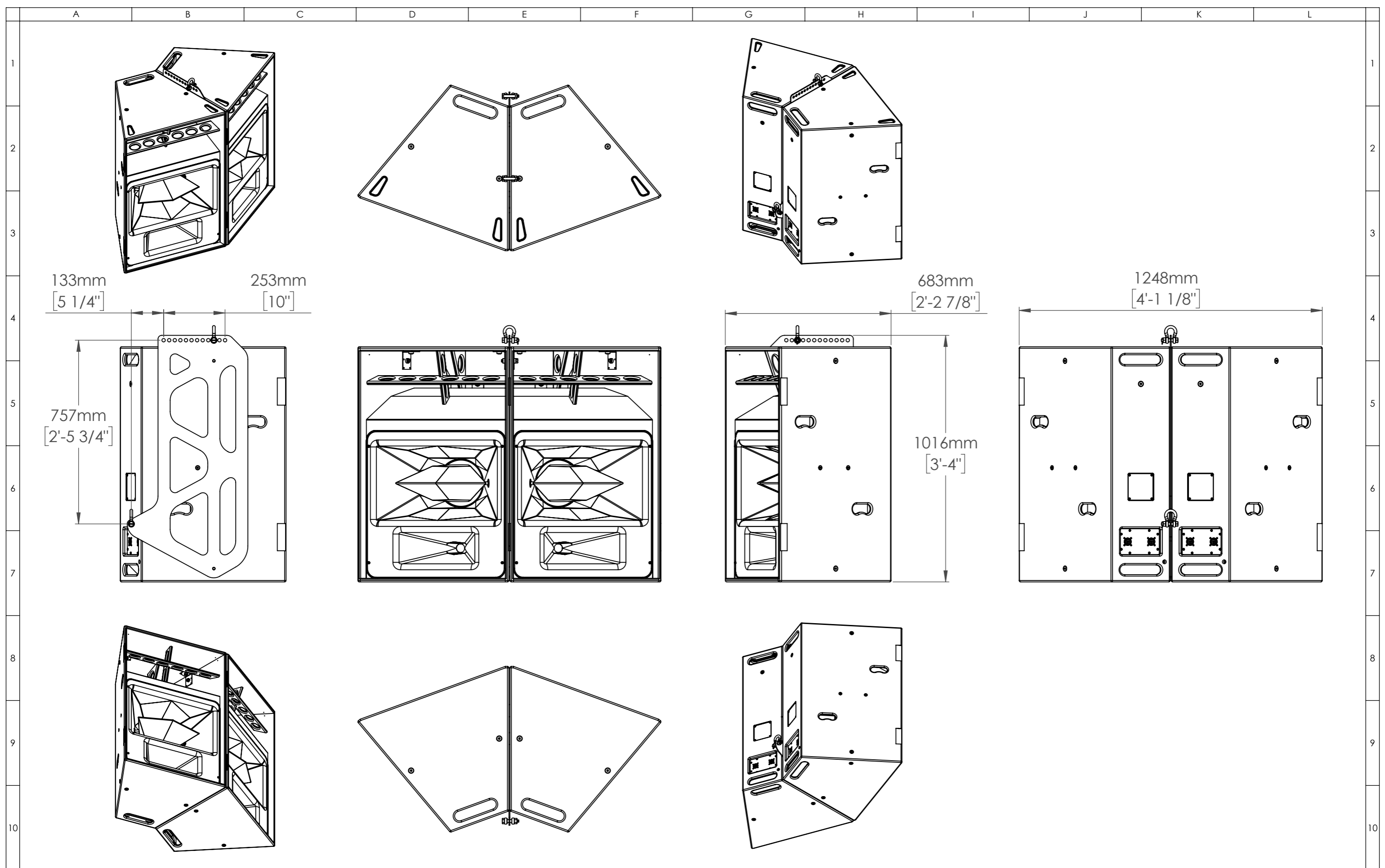
A3 Sheet Scale: 1:14

Filename:

Drawn By: Mike Igglesden

13/03/2025

CFPK-2E67-F1-AD=T0068-02

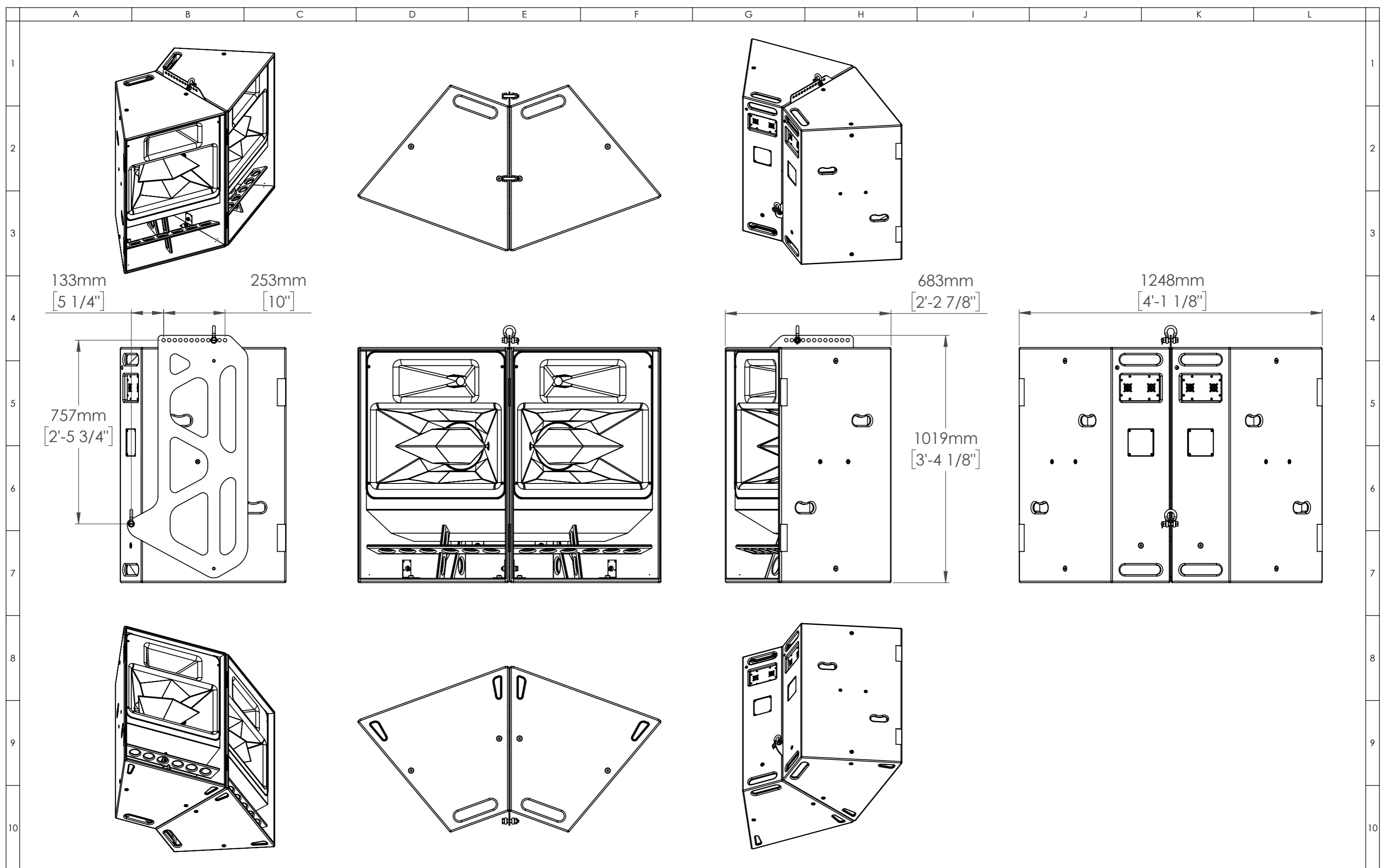


Funktion-One Research LTD
 Hoyle, Beare Green, Dorking, Surrey, RH5 4PS, UK
 mail@funktion-one.com +44 (0)1306 712820

Sheet: Evo6 2W Down Technical Drawing
 Funktion-One Accessory Drawing

A3 Sheet Scale: 1:14
 Filename:

Drawn By: Mike Igglesden 13/03/2025
CFPK-2E67-F1-AD=T0068-02

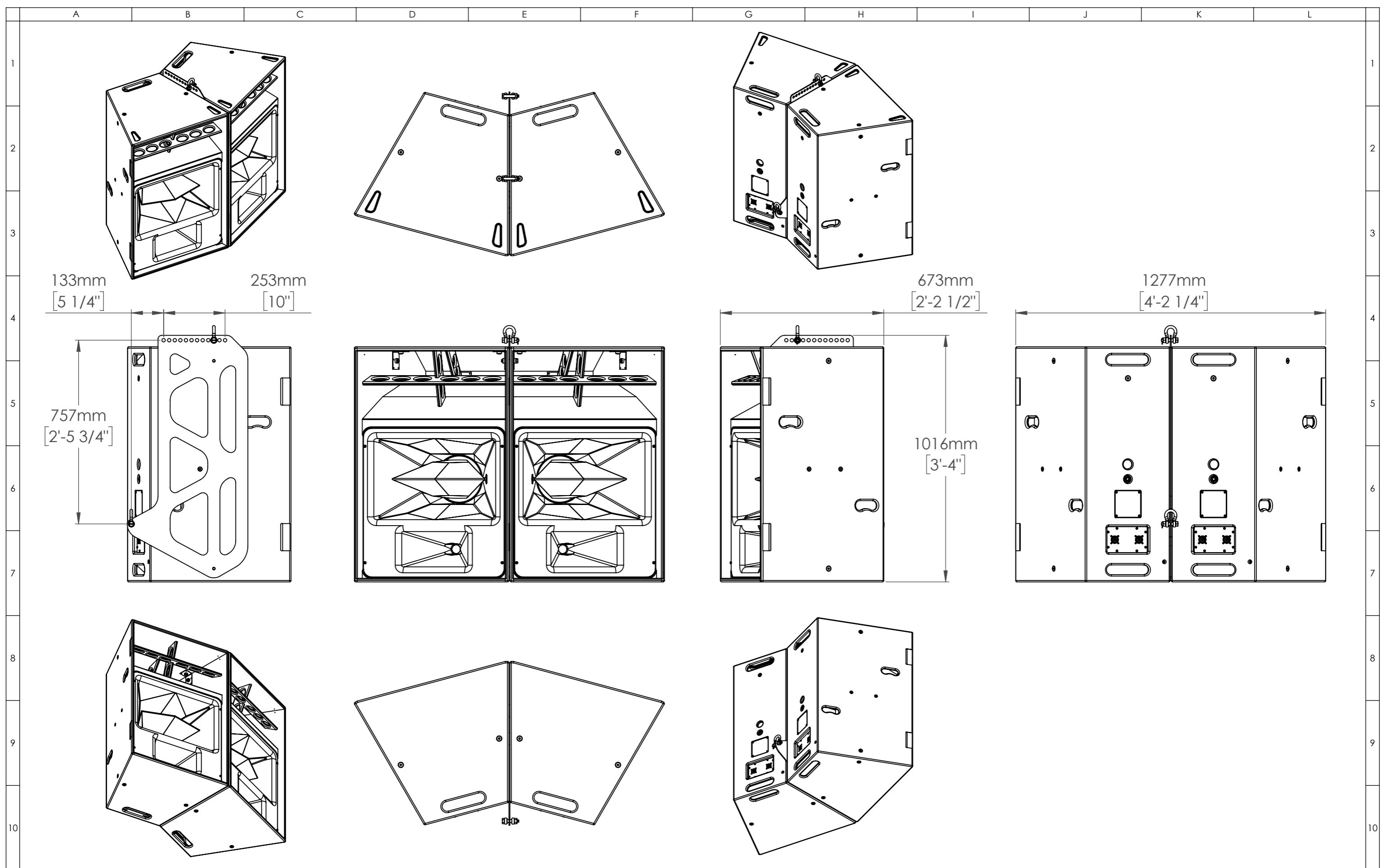


Funktion-One Research LTD
 Hoyle, Beare Green, Dorking, Surrey, RH5 4PS, UK
 mail@funktion-one.com +44 (0)1306 712820

Sheet: Evo 6 2W Up Technical Drawing
 Funktion-One Accessory Drawing

A3 Sheet Scale: 1:14
 Filename:

Drawn By: Mike Igglesden 13/03/2025
CFPK-2E67-F1-AD=T0068-02

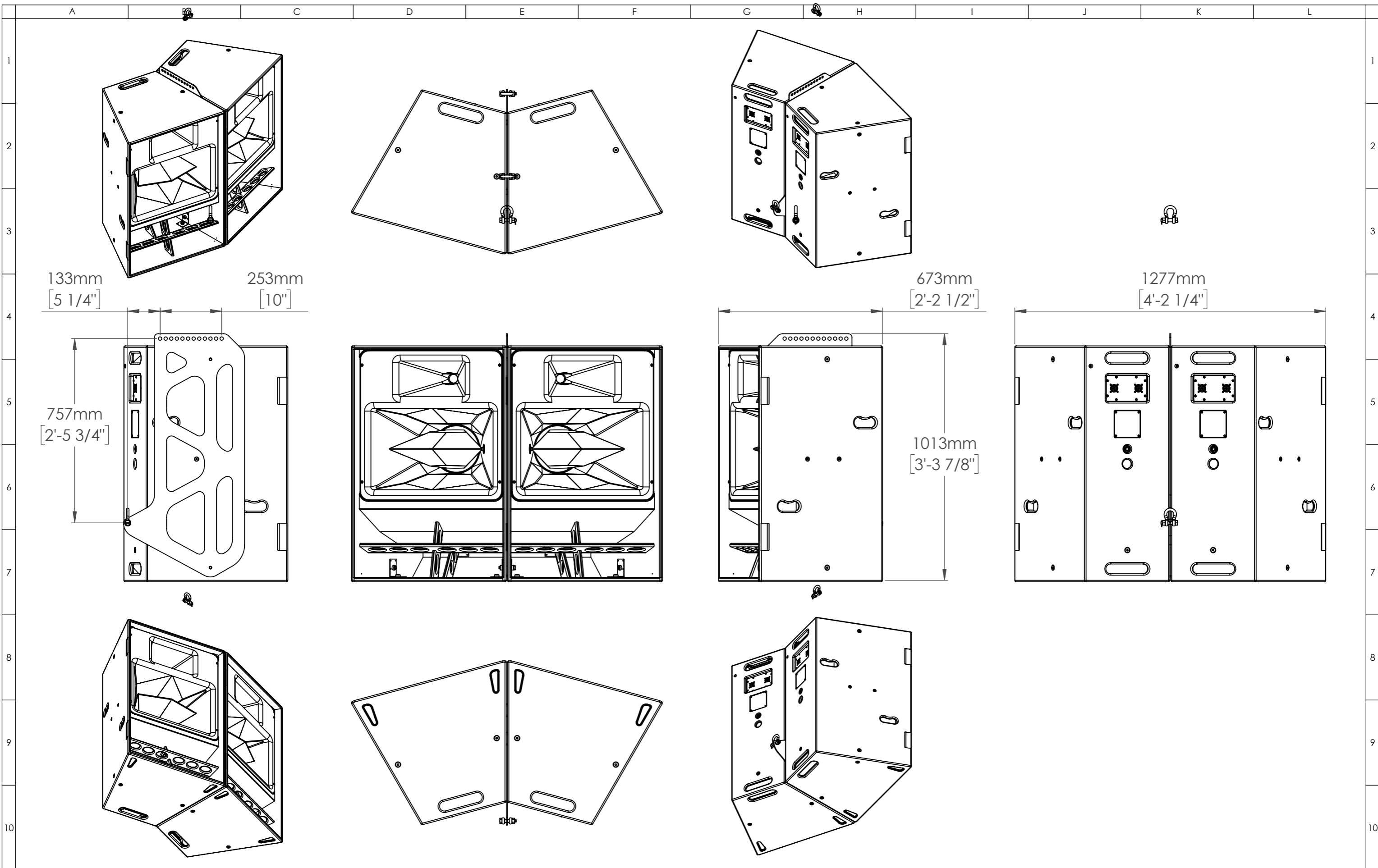


Funktion-One Research LTD
 Hoyle, Beare Green, Dorking, Surrey, RH5 4PS, UK
 mail@funktion-one.com +44 (0)1306 712820

Sheet: Evo7 2W Down Technical Drawing
 Funktion-One Accessory Drawing

A3 Sheet Scale: 1:14
 Filename:

Drawn By: Mike Igglesden 13/03/2025
 CFPK-2E67-F1-AD=T0068-02



Funktion-One Research LTD
 Hoyle, Beare Green, Dorking, Surrey, RH5 4PS, UK
 mail@funktion-one.com +44 (0)1306 712820

Sheet: Evo7 2W Up Technical Drawing

Funktion-One Accessory Drawing

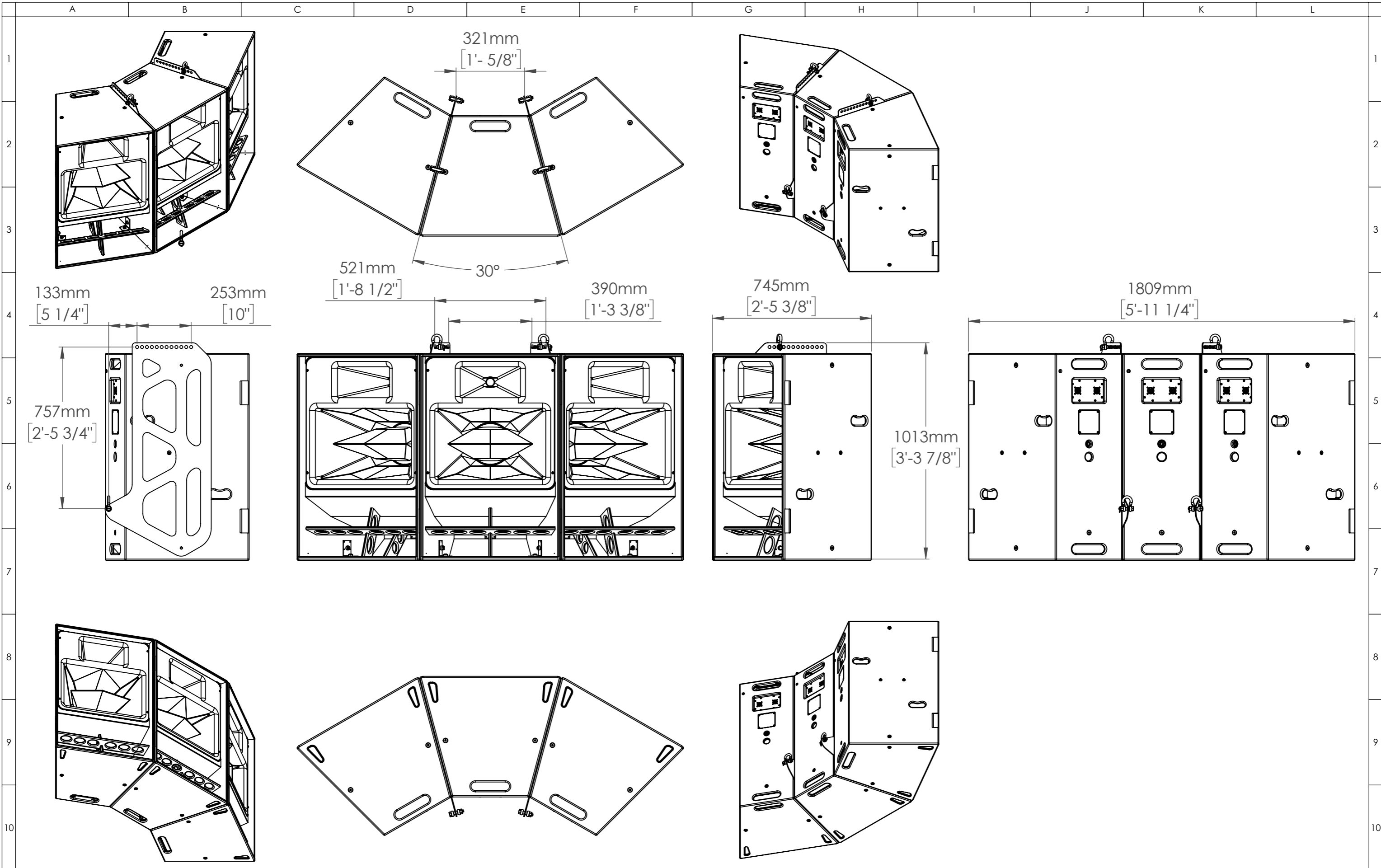
A3 Sheet Scale: 1:14

Filename:

Drawn By: Mike Igglesden

13/03/2025

CFPK-2E67-F1-AD=T0068-02



Funktion-One Research LTD
 Hoyle, Beare Green, Dorking, Surrey, RH5 4PS, UK
 mail@funktion-one.com +44 (0)1306 712820

Sheet: Evo7 3W Up Technical Drawing

Funktion-One Accessory Drawing

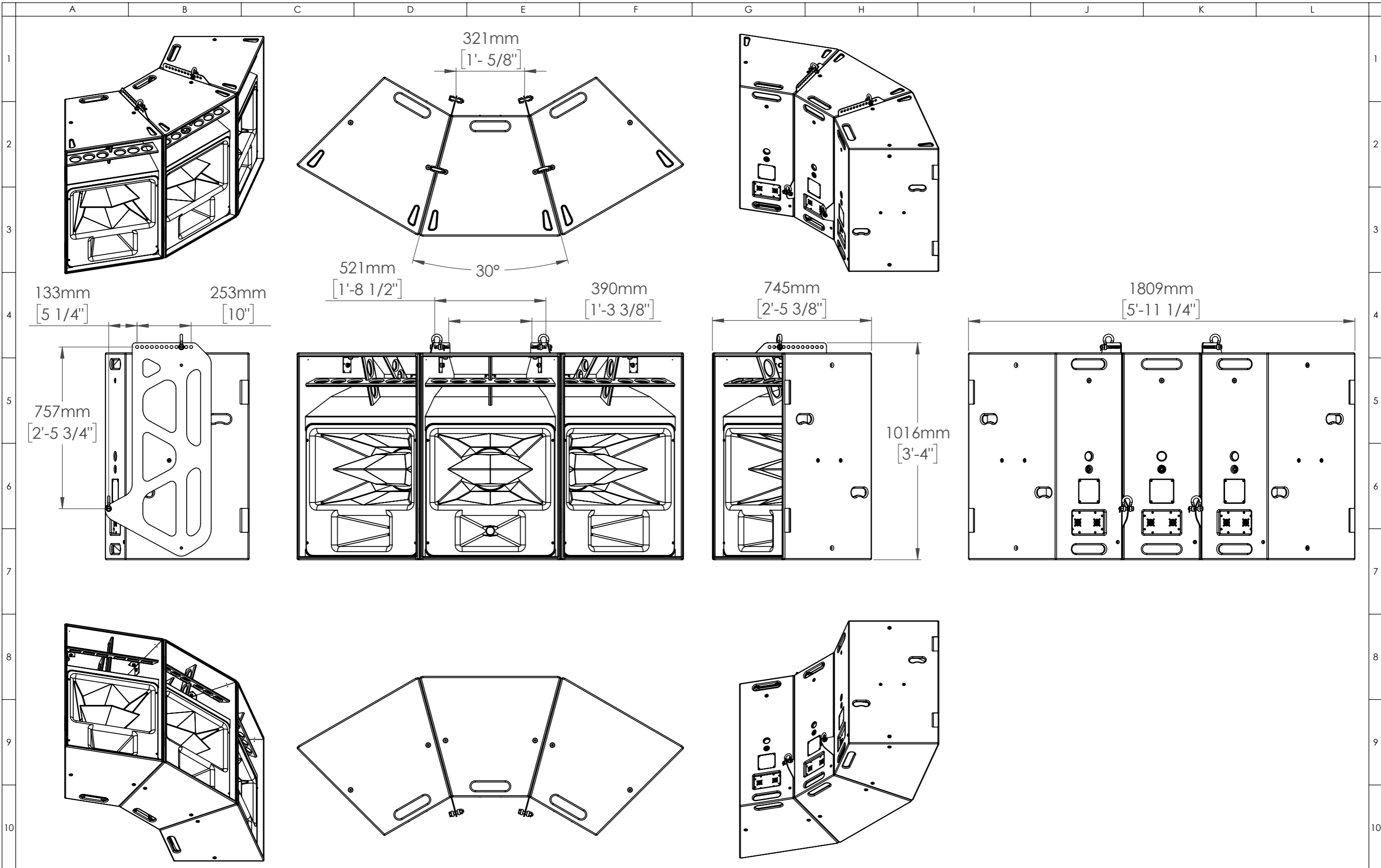
A3 Sheet Scale: 1:16

Filename:

Drawn By: Mike Igglesden

13/03/2025

CFPK-2E67-F1-AD=T0068-02



Funktion-One Research LTD
 Hoyle, Beare Green, Dorking, Surrey, RH5 4PS, UK
 mail@funktion-one.com +44 (0)1306 712820

Sheet: Evo7 3W Down Technical Drawing

Funktion-One Accessory Drawing

A3 Sheet Scale: 1:16

Filename:

Drawn By: Mike Igglesden

13/03/2025

CFPK-2E67-F1-AD=T0068-02

