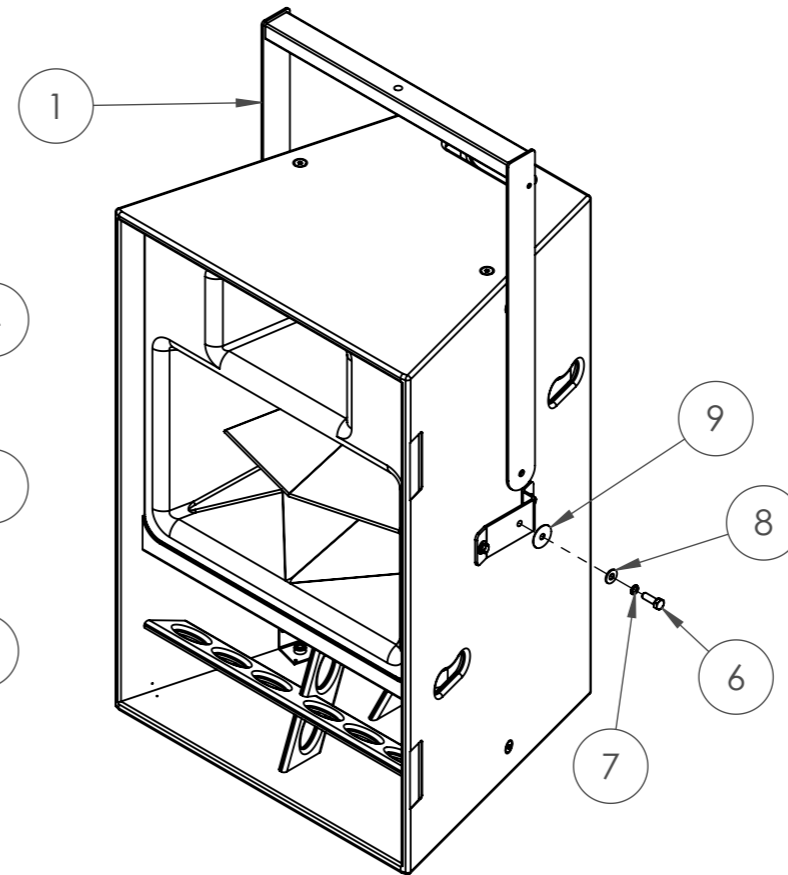
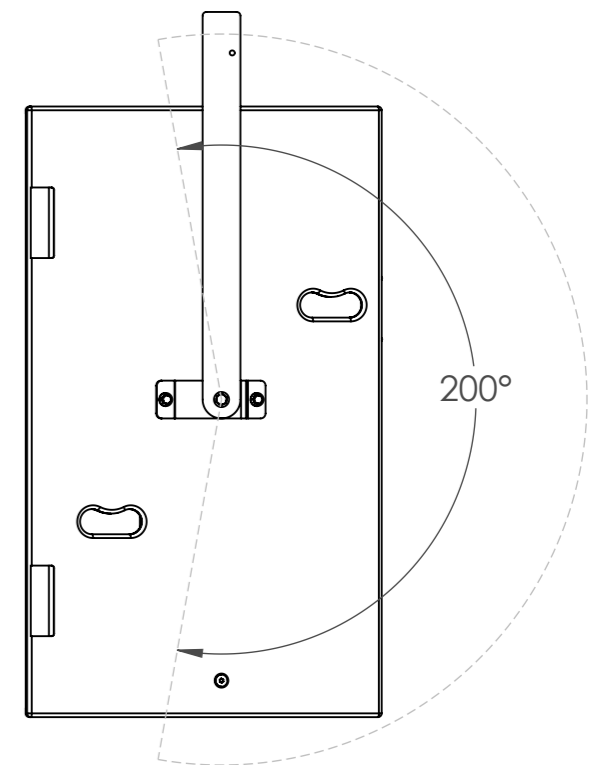


To mount the squaring brackets, remove the 4 x M8 blanking bolts on the cabinet. Fit the brackets with 2 x M8 x 35mm hex bolts, split washer & C-form washer per bracket. Keep the blanking bolts as these are required to seal the cabinet should you remove the brackets.



The yoke fits to the brackets with 1 x M10 x 30mm hex bolt, 1 x split washer and 1 x C-form washer per side. The nitrile washer fits between the yoke and the bracket.

Thread in the M10 bolts, adjust to the required angle and then tighten to secure. M12 fixings and additional safety line recommended for attaching yoke to correct rigging hardware.



The yoke can rotate 200 degrees around the back of the cabinet. This allows for up to 10 degrees of upward tilt and any amount of downward tilt. Often optimum installation is with the cabinet upside down so the HF is closer to the audience.

ITEM	DESCRIPTION	QUANTITY
1	EVO7E YOKE	1
2	15° SQUARING BRACKET WITH M10 BUSH	2
3	M8 X 35mm HEX BOLT	4
4	M8 SPLIT WASHER	4
5	M8 C-FORM WASHER	4
6	M10 X 30mm HEX BOLT	2
7	M10 SPLIT WASHER	2
8	M10 C-FORM WASHER	2
9	M10 NITRILE WASHER	2

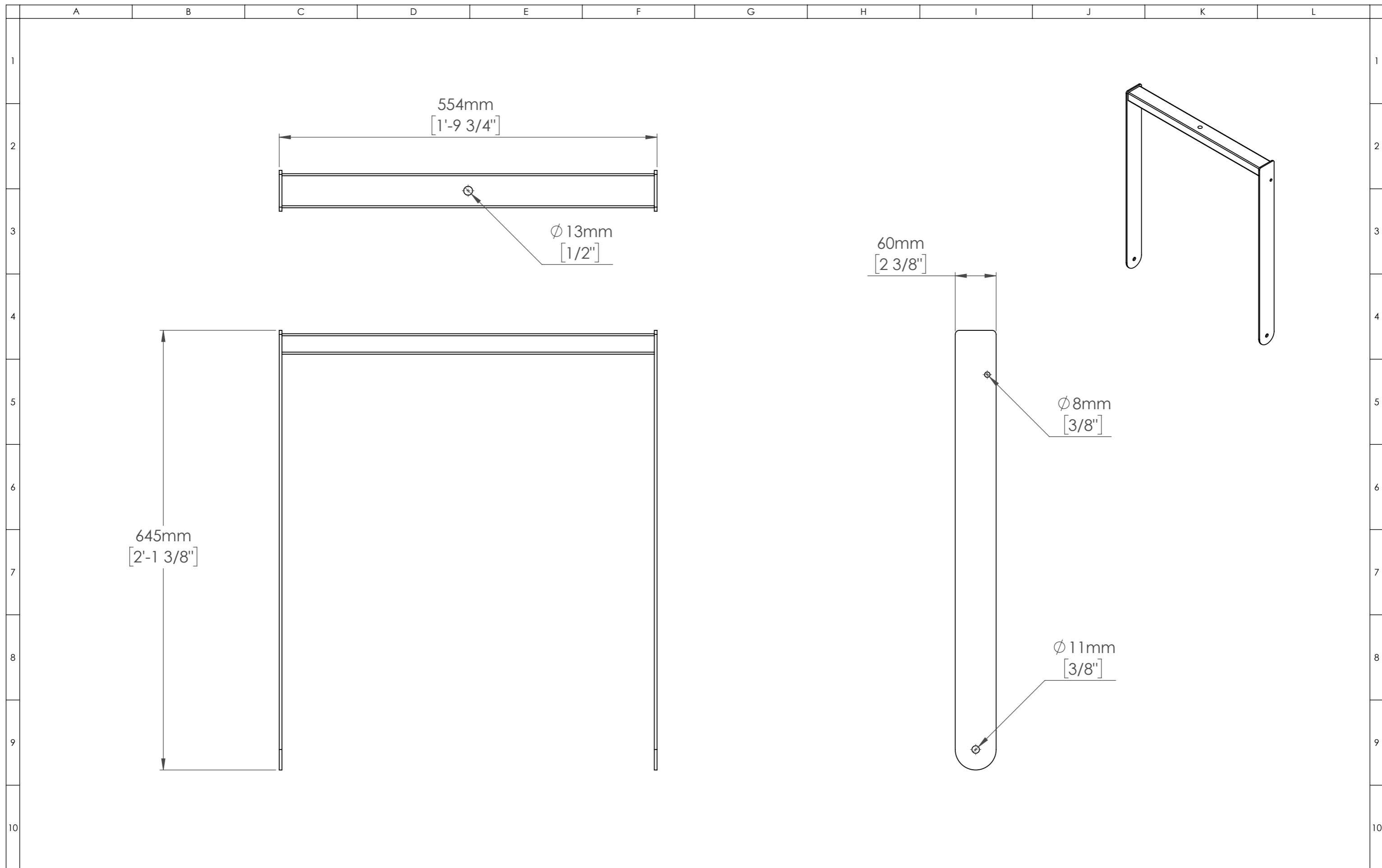
Funktion-One Research LTD
 Hoyle, Beare Green, Dorking, Surrey, RH5 4PS, UK
 mail@funktion-one.com +44 (0)1306 712820

Sheet: Detail Drawing
 Funktion-One Accessory Drawing

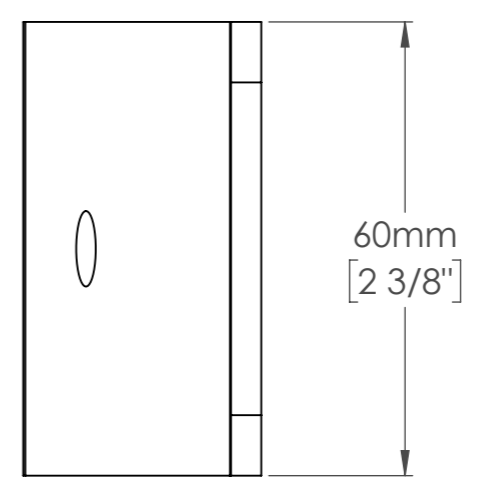
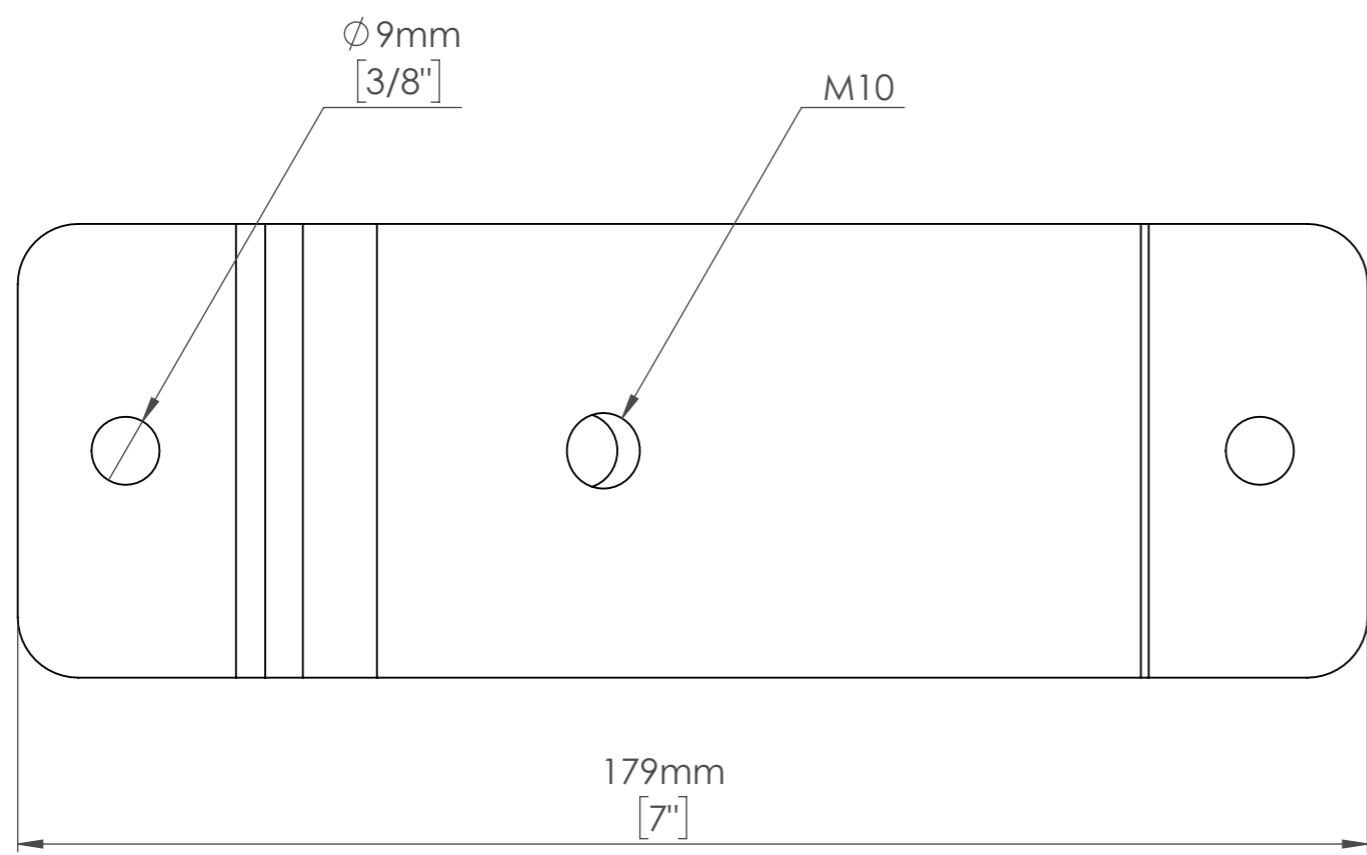
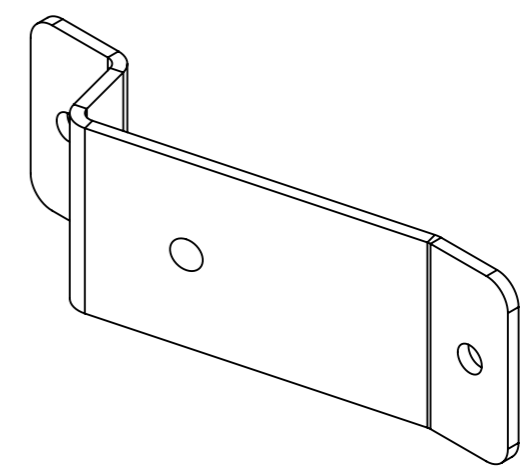
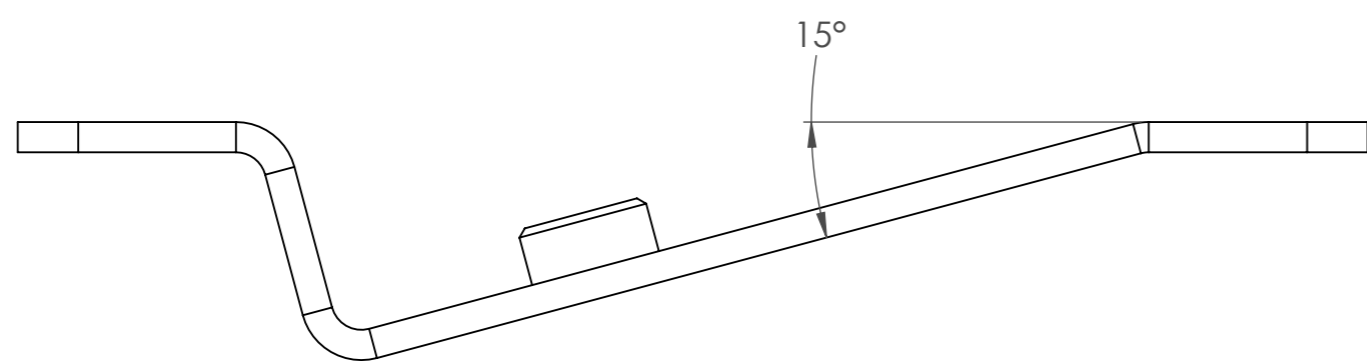
A3 Sheet Scale: 1:1
 Filename:

Drawn By: Mike Igglesden 17/05/2023

YK-SE7-F1-AD=T0067-01



Funktion-One Research LTD Hoyle, Beare Green, Dorking, Surrey, RH5 4PS, UK mail@funktion-one.com +44 (0)1306 712820				Sheet: Yoke Tech Draw Funktion-One Accessory Drawing			A3 Sheet Scale: 1:5 Filename:		Drawn By: Mike Igglesden 17/05/2023		YK-SE7-F1-AD=T0067-01	
--	--	--	--	---	--	--	----------------------------------	--	--	--	------------------------------	--



Funktion-One Research LTD
 Hoyle, Beare Green, Dorking, Surrey, RH5 4PS, UK
 mail@funktion-one.com +44 (0)1306 712820

Sheet: Squaring Bracket Tech Draw
 Funktion-One Accessory Drawing

A3 Sheet Scale: 1:1
 Filename:

Drawn By: Mike Igglesden 17/05/2023
YK-SE7-F1-AD=T0067-01

