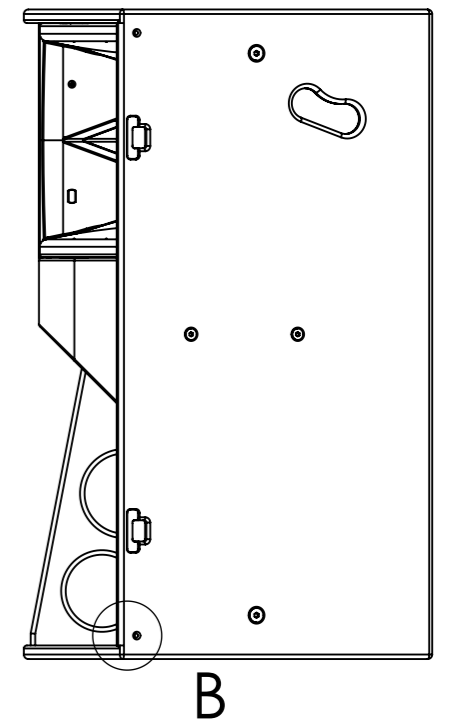
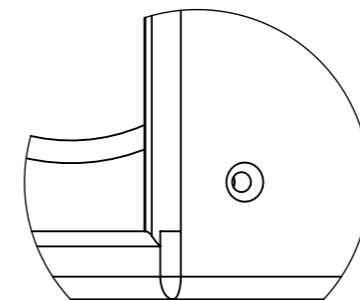


Evolution X ordered with grille fitted. Hex punched 2mm steel, black powder coat and foam backed for discreet aesthetic.

Removal and reattachment of grille with 4 x M5 x 10mm hex socket (4mm) cap head bots and 2 x 3.5mm x 16mm pozi (PZ2) pan head screws.

Evolution X ordered without grille, but grille required to be retro fitted. 4 x Evolution X grille brackets to be fitted with M5 x 20mm hex socket (4mm) counter-sunk bolts. Clearance holes for these bolts to be cleared with 5.5mm drill using the pilot holes. To ensure the hole is true, suggest using an intermediate drill, 3-4mm.

ITEM	DESCRIPTION	QTY
1	EVOLUTION X GRILLE, HEX PUNCHED, FOAM BACKED	1
2	M5 X 10mm HEX SOCKET CAP HEAD BOLT	4
3	3.5mm X 16mm POZI PAN HEAD SCREW	2
4	M5 X 20mm HEX SOCKET COUNTERSUNK HEAD BOLT	4
5	GRILLE BRACKET, 2 X M5 BUSHES	4



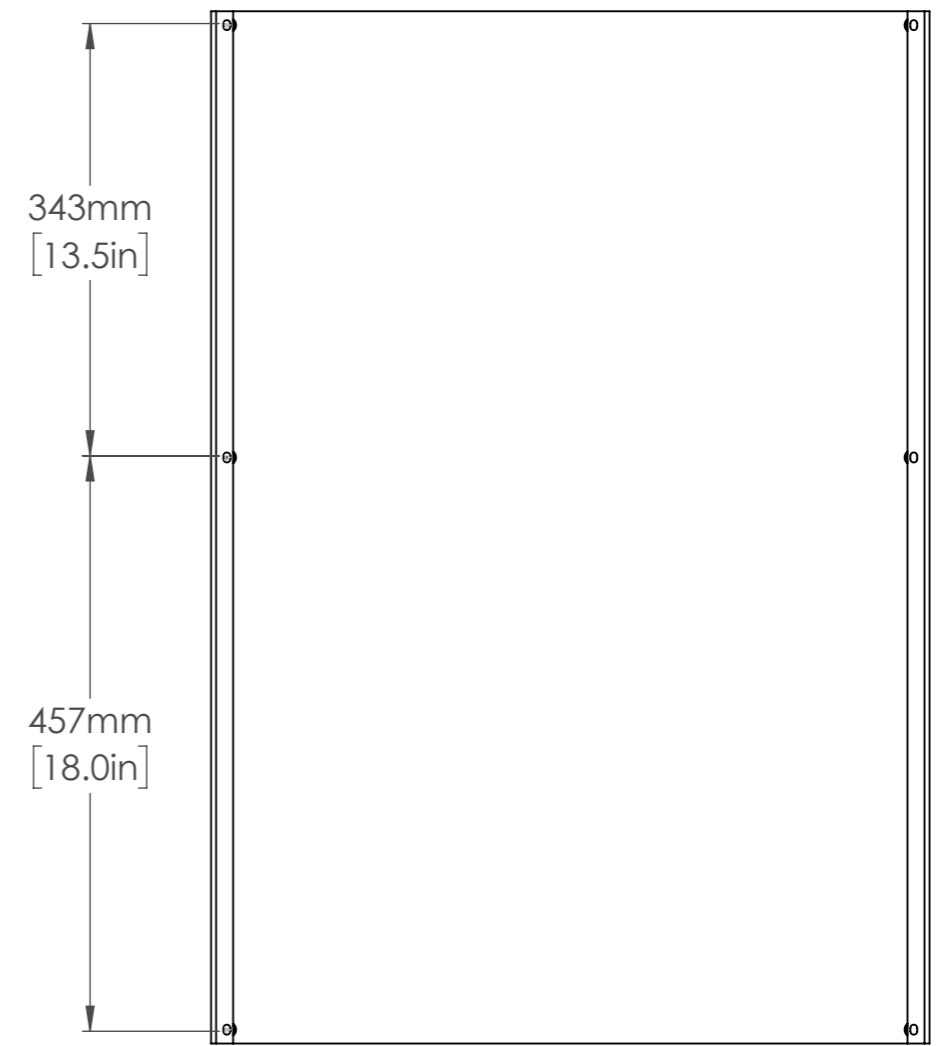
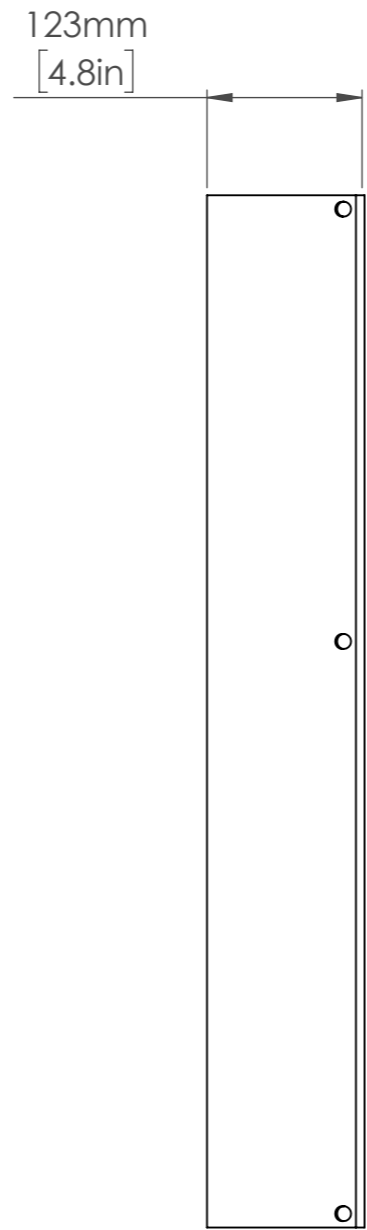
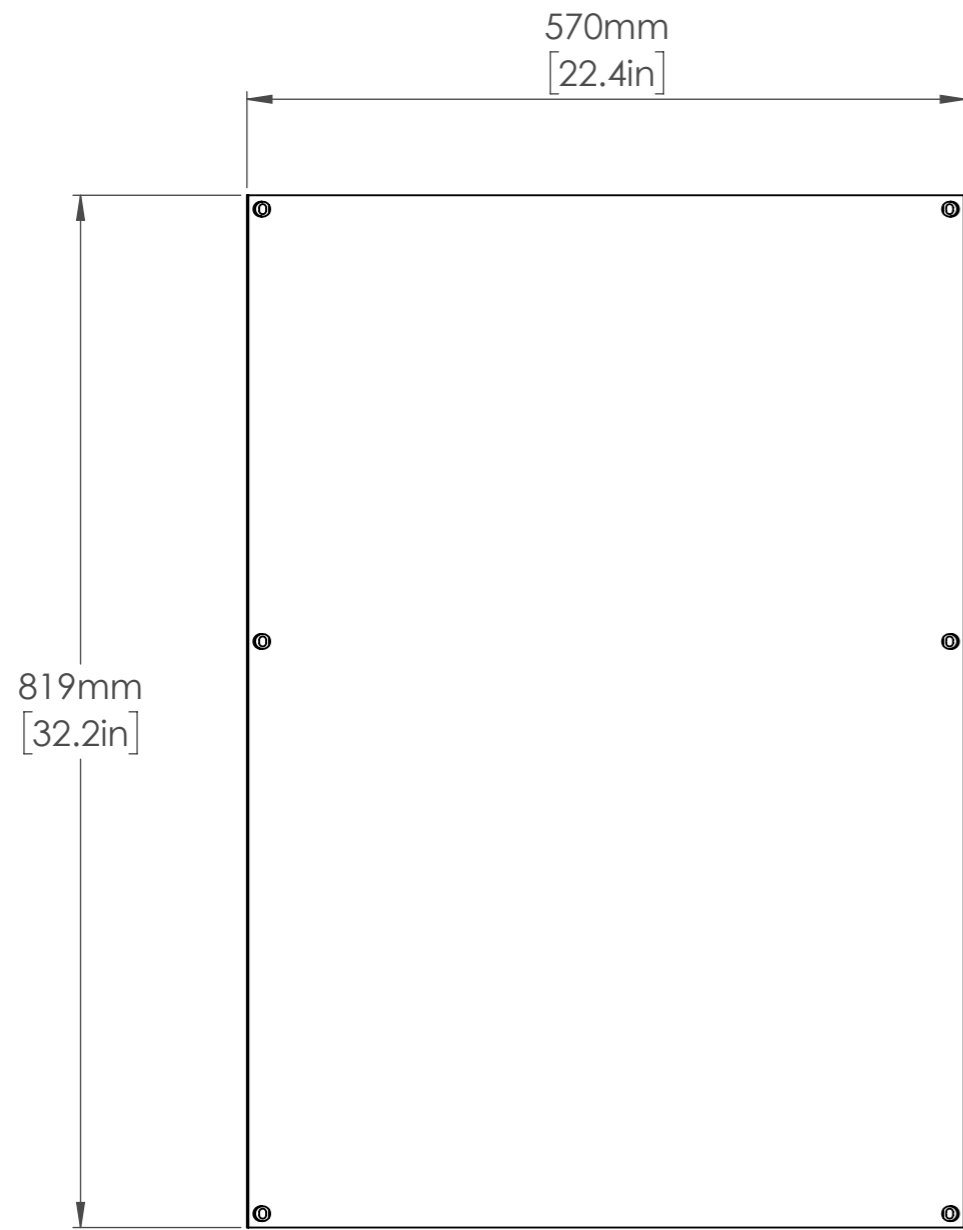
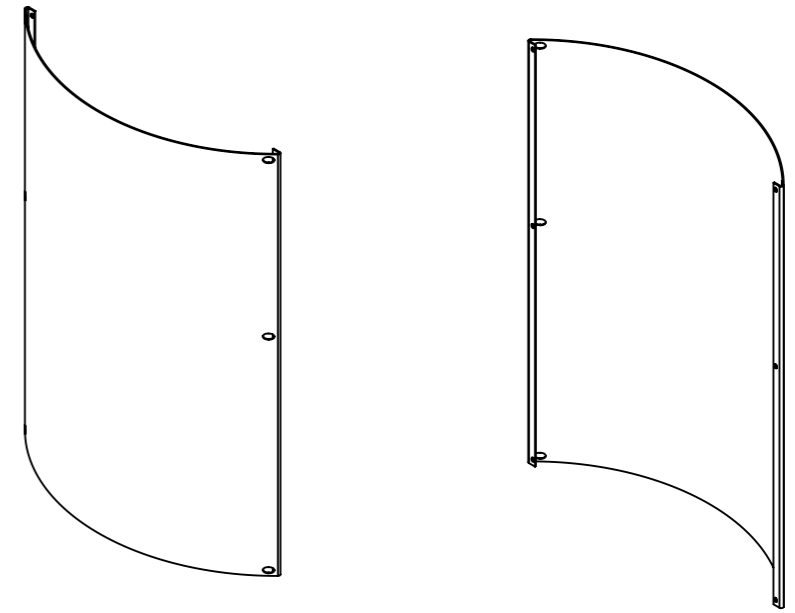
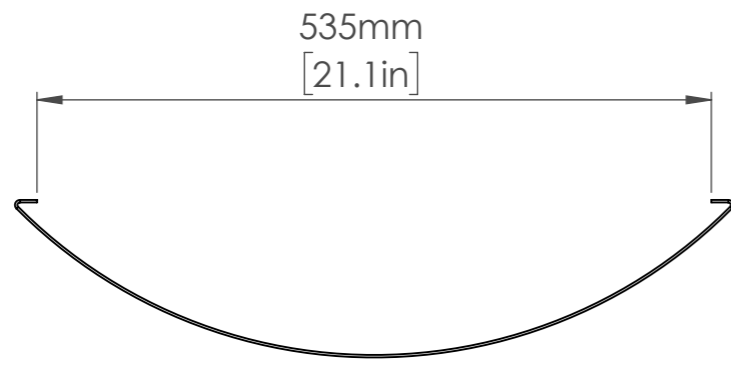
Funktion-One Research LTD  
 Hoyle, Beare Green, Dorking, Surrey, RH5 4PS, UK  
 mail@funktion-one.com +44 (0)1306 712820

Sheet:Detail View  
 Funktion-One Accessory Drawing

A3 Sheet Scale: 1:10  
 Filename:

Drawn By: Mike Igglesden 17/05/2023

GK-EX-F1-AD=T0008-01



Funktion-One Research LTD  
 Hoyle, Beare Green, Dorking, Surrey, RH5 4PS, UK  
 mail@funktion-one.com +44 (0)1306 712820

Sheet: Technical Drawing

Funktion-One Accessory Drawing

A3 Sheet Scale: 1:10

Filename:

Drawn By: Mike Igglesden

17/05/2023

**GK-EX-F1-AD=T0008-01**

