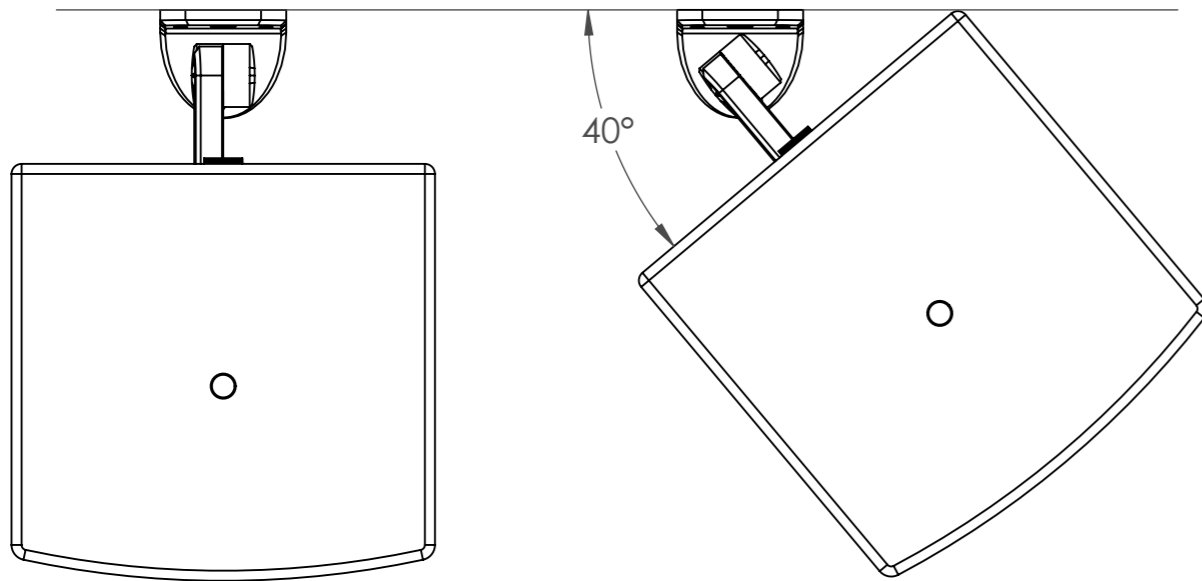


ITEM	DESCRIPTION	QUANTITY
1	F5 WALL MOUNT BRACKET (SUWMB10)	1
2	M6 X 20mm CSK HEX SOCKET BOLTS (FITTED TO F5)	2

Remove 2 x M6 blanking bolts. F5 wall mount bracket is fitted directly to the F5 loudspeaker using these 2 x M6 CSK hex socket blanking bolts. No additional fixings required.



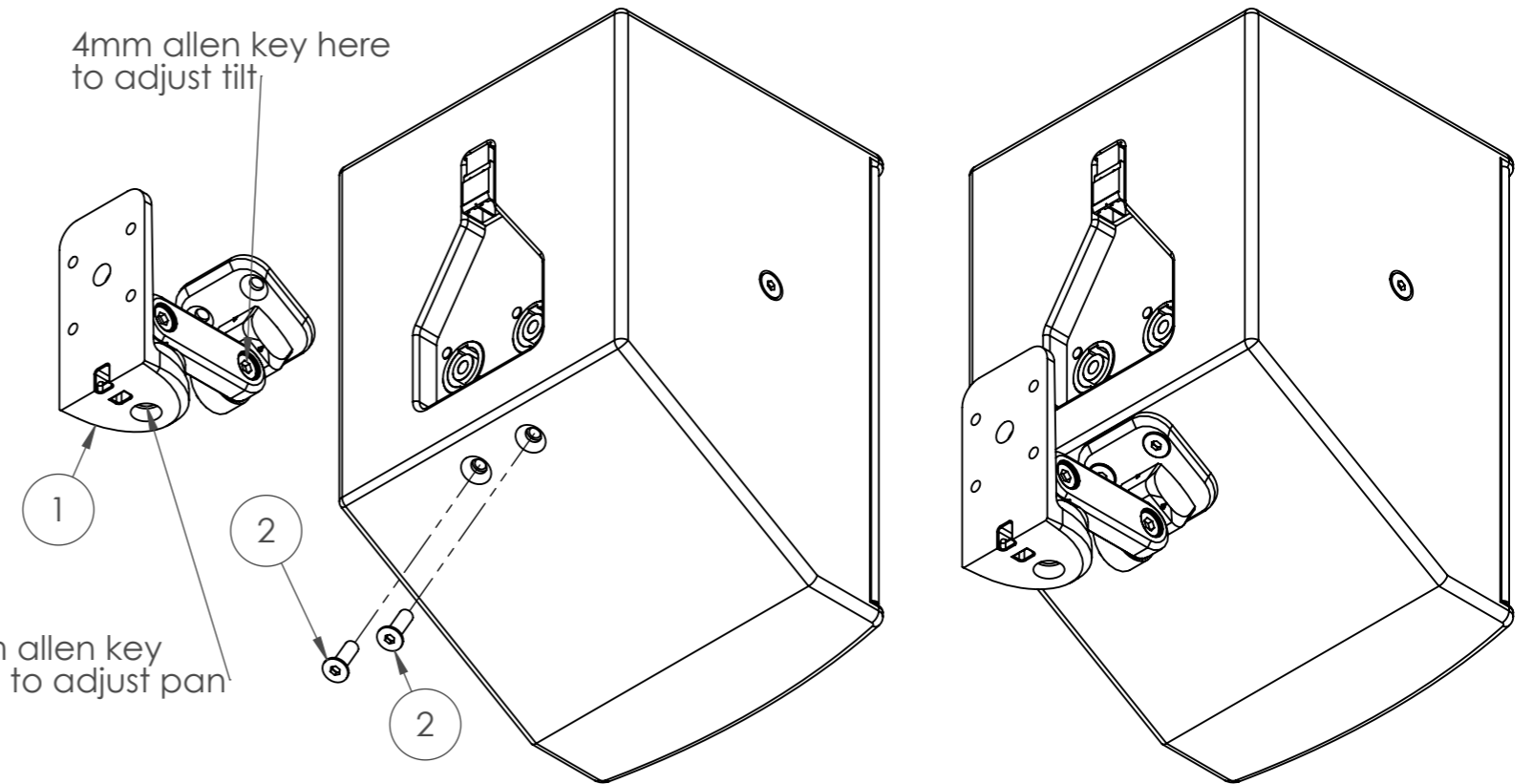
4mm allen key here to adjust tilt

1

2

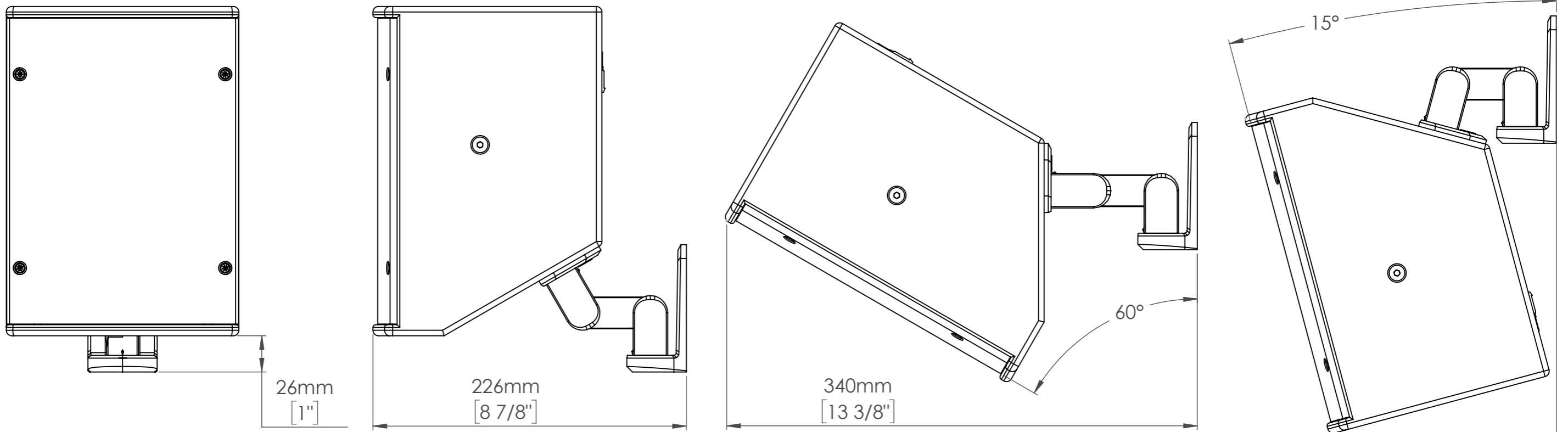
4mm allen key here to adjust pan

2



With the F5 horizontal, maximum pan angle is 40°. This increases by introducing downward tilt.

Correct installation is with the bracket under the loudspeaker, this enables largest range of pan and tilt. If necessary, wall mount bracket can be mounted above. Maximum downward tilt is 15°, this reduces with when introducing pan.



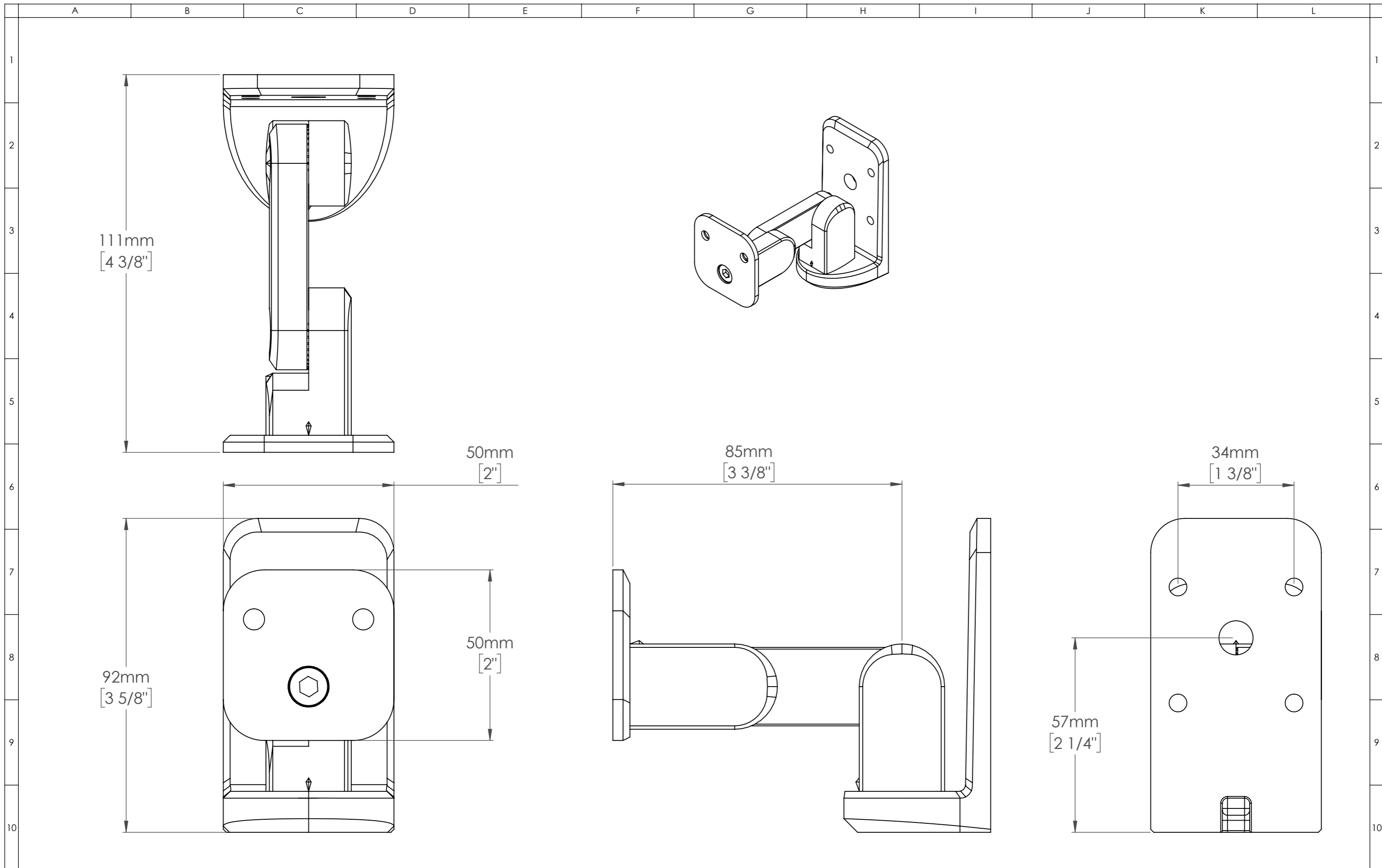
Funktion-One Research LTD  
 Hoyle, Beare Green, Dorking, Surrey, RH5 4PS, UK  
 mail@funktion-one.com +44 (0)1306 712820

Sheet: Detail Drawing  
 Funktion-One Accessory Drawing

A3 Sheet Scale: 1:3  
 Filename:

Drawn By: Mike Igglesden 26/04/2023

WMB-F5-F1-AD=T0059-01



Funktion-One Research LTD  
 Hoyle, Beare Green, Dorking, Surrey, RH5 4PS, UK  
 mail@funktion-one.com +44 (0)1306 712820

Sheet: Technical Drawing

Funktion-One Accessory Drawing

A3 Sheet Scale: 1:1

Filename:

Drawn By: Mike Igglesden

26/04/2023

**WMB-F5-F1-AD=T0059-01**

