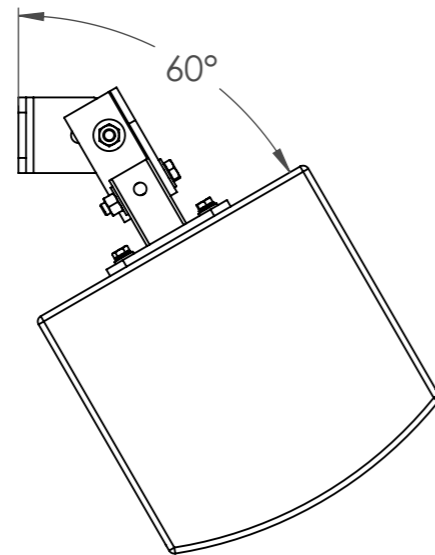
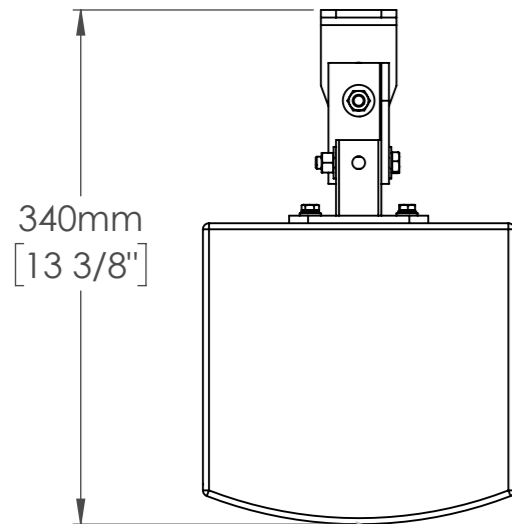
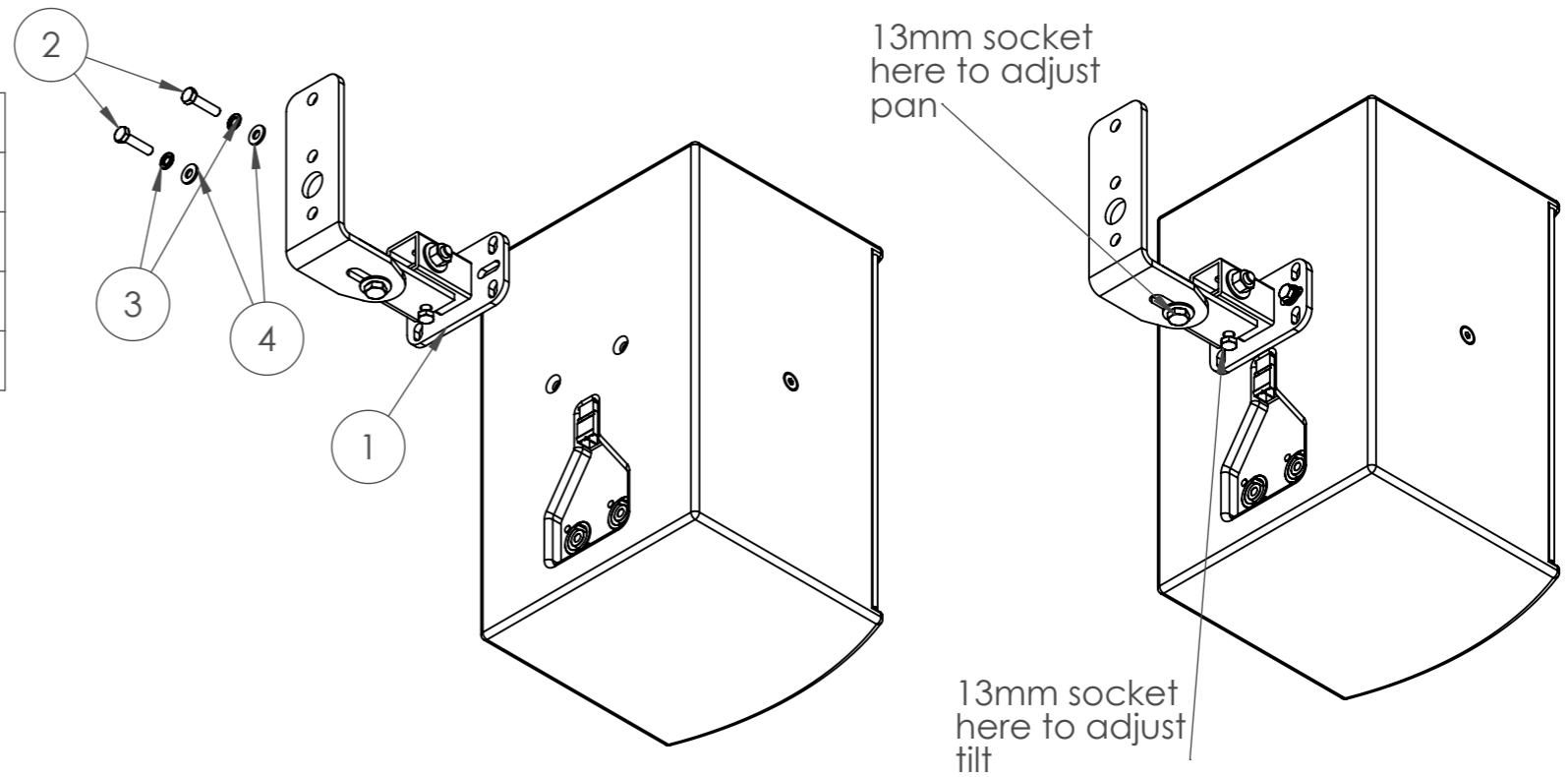
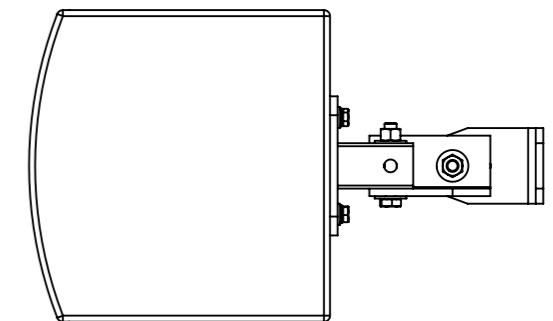
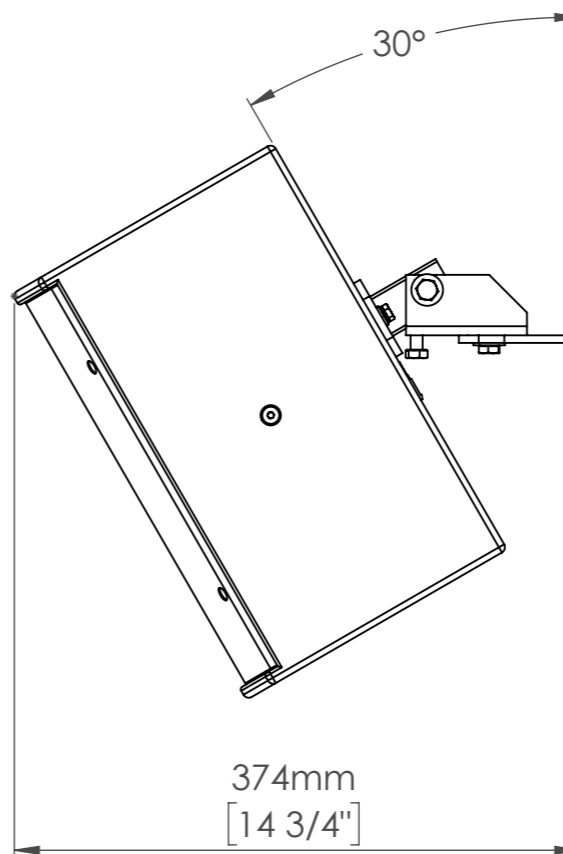


ITEM	DESCRIPTION	QUANTITY
1	F61 WALL MOUNT BRACKET (WMS-50)	1
2	M6 X 30mm HEX HEAD BOLT	2
3	M6 SPLIT WASHER	2
4	M6 C-FORM WASHER	2

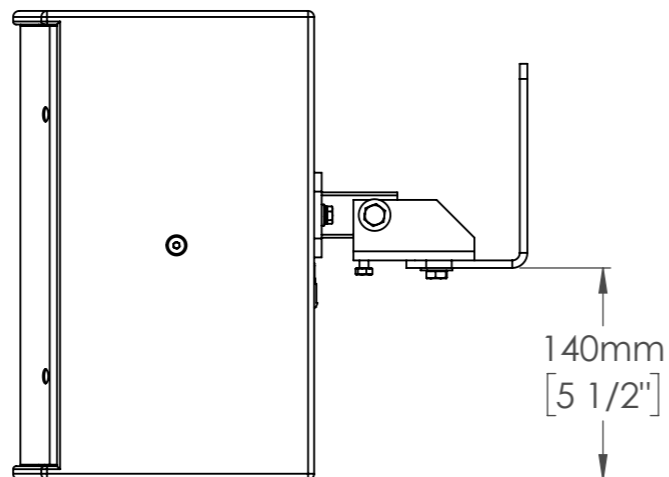
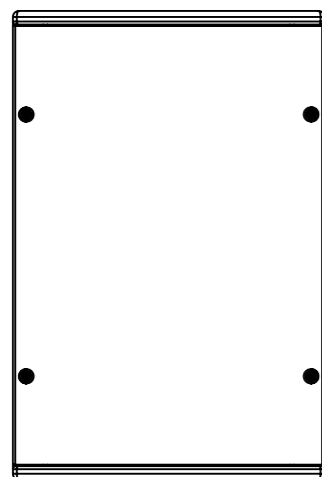


Remove 2 x M6 blanking bolts. Wall mount bracket is fitted directly to the F61 loudspeaker using 2 x bolt, 2 x split washers and 2 x washers.

With no vertical tilt, maximum horizontal pan is 60°. This reduces when introducing tilt. Maximum vertical tilt is 30°



Possible to horizontally mount the F61 by rotating the speaker plate on the WMS50.



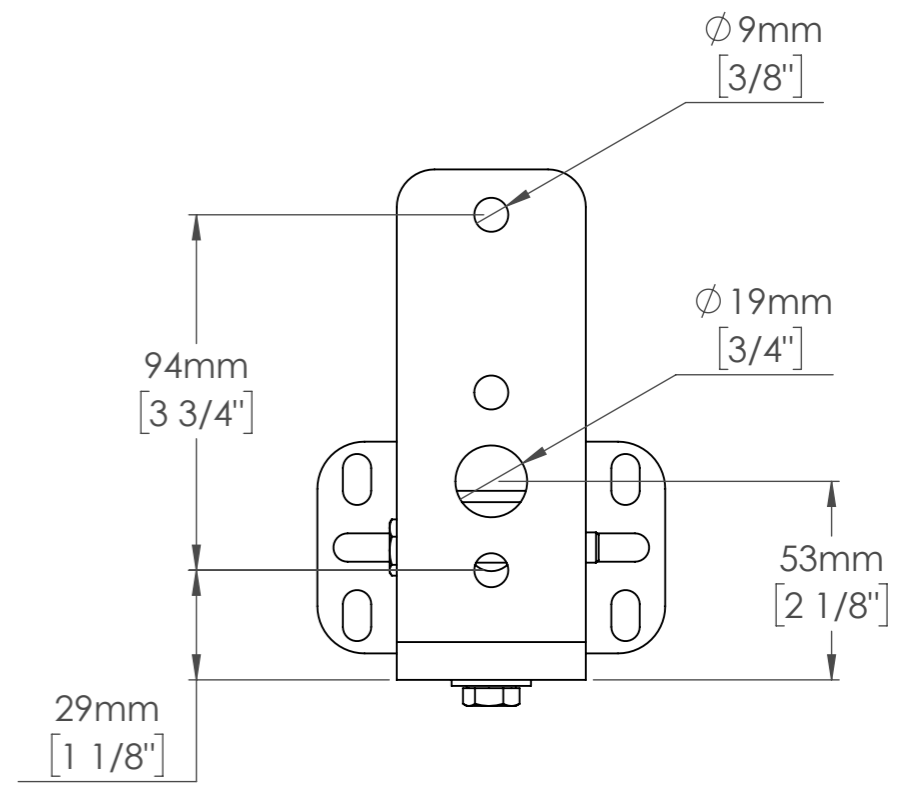
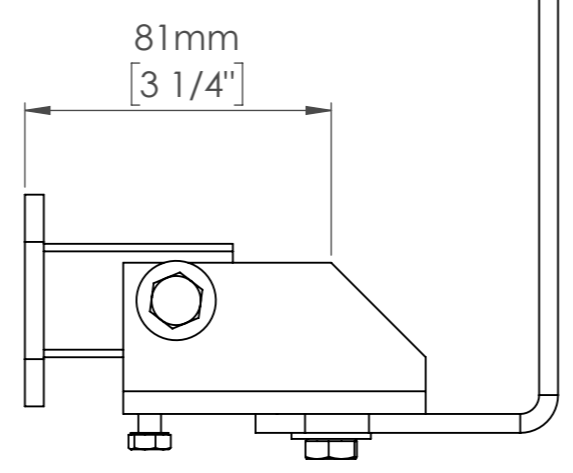
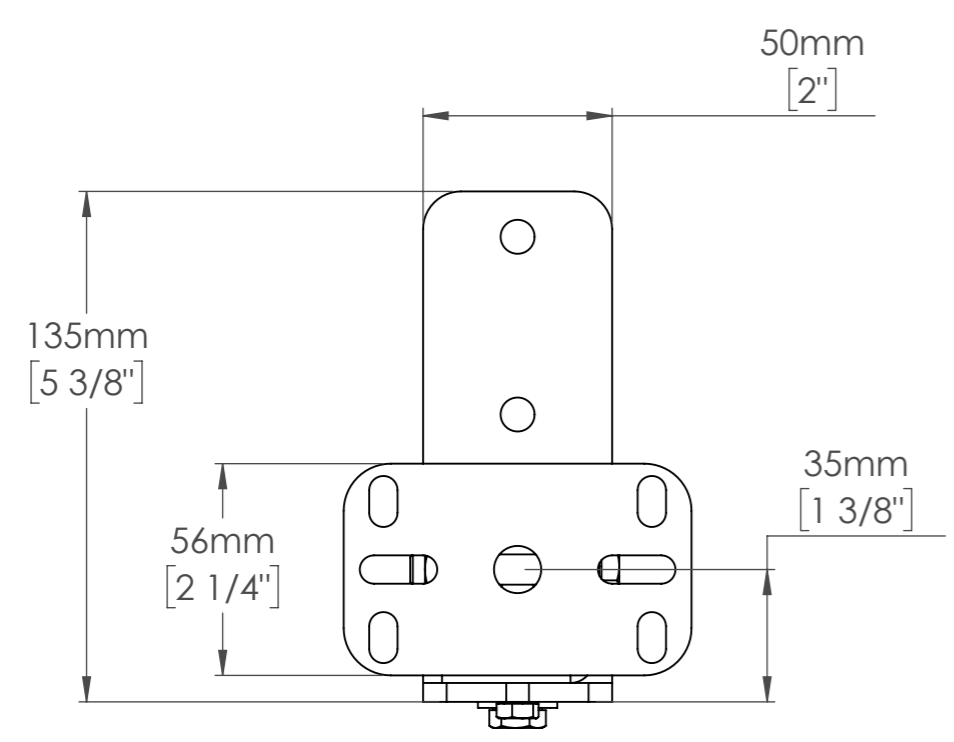
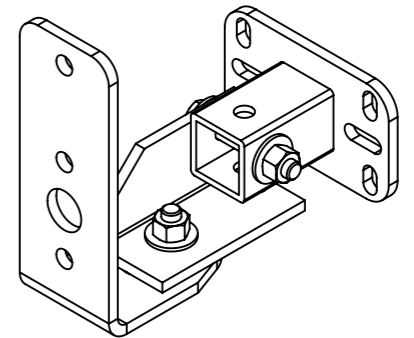
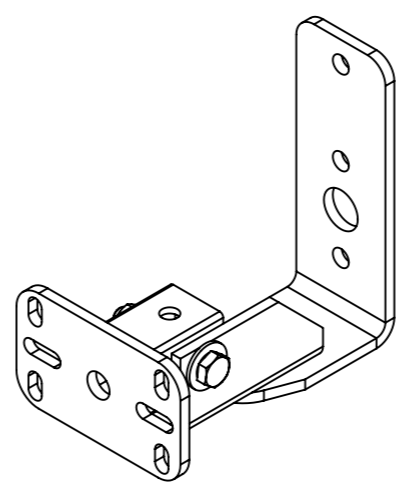
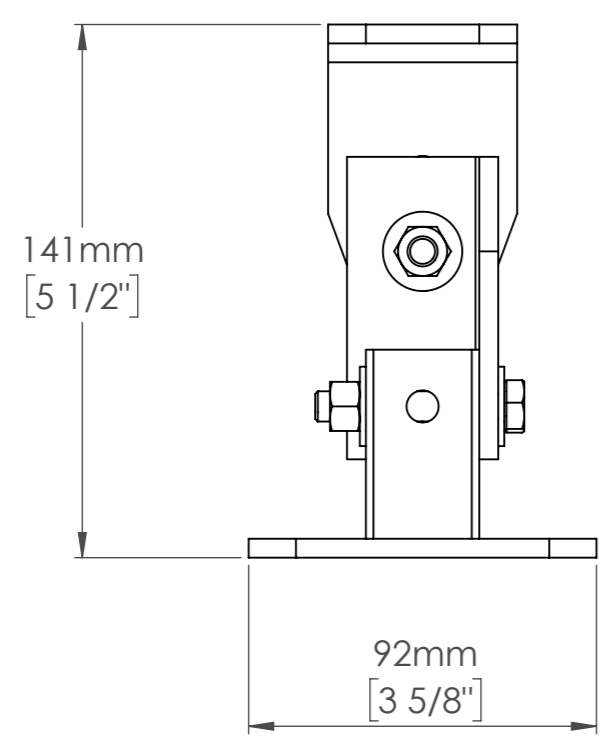
Funktion-One Research LTD
 Hoyle, Beare Green, Dorking, Surrey, RH5 4PS, UK
 mail@funktion-one.com +44 (0)1306 712820

Sheet: Detail Drawing
 Funktion-One Product Detail Drawing

A3 Sheet Scale: 1:5
 Filename:

Drawn By: Mike Igglesden 09/10/2024

WMS50-61-F1-AD=T0304-00



Funktion-One Research LTD
 Hoyle, Beare Green, Dorking, Surrey, RH5 4PS, UK
 mail@funktion-one.com +44 (0)1306 712820

Sheet: Technical Drawing
 Funktion-One Product Detail Drawing

A3 Sheet Scale: 1:2
 Filename:

Drawn By: Mike Igglesden 09/10/2024
WMS50-61-F1-AD=T0304-00

