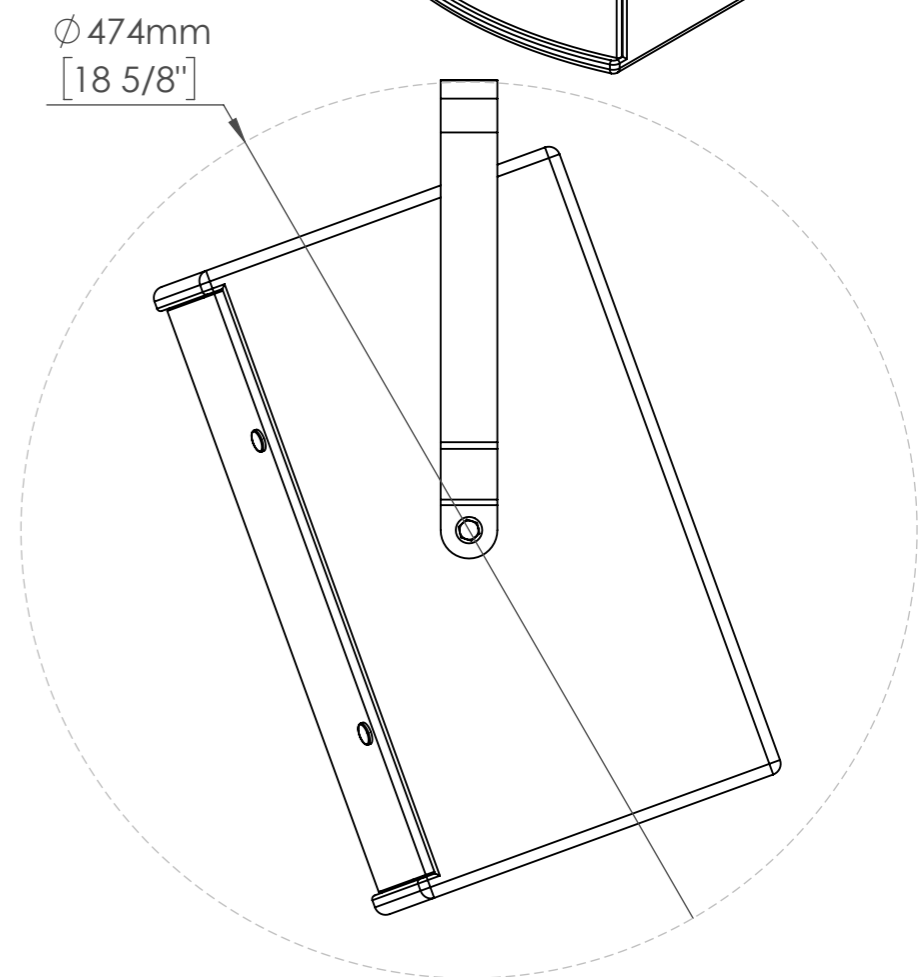
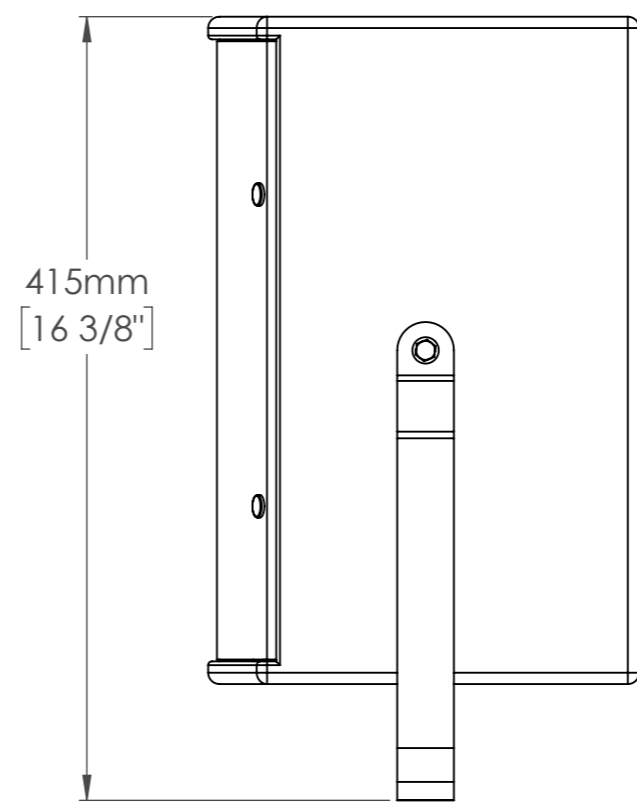
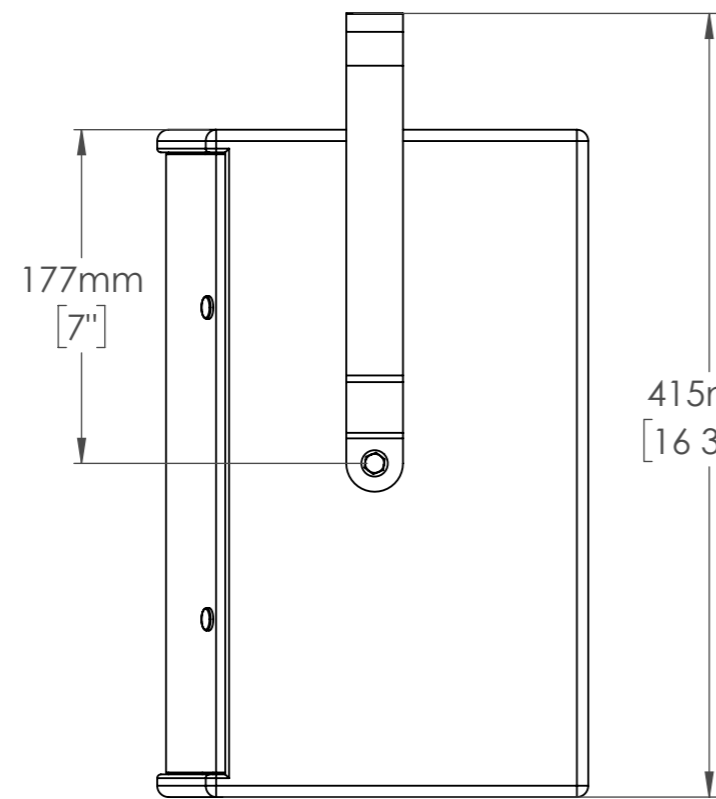
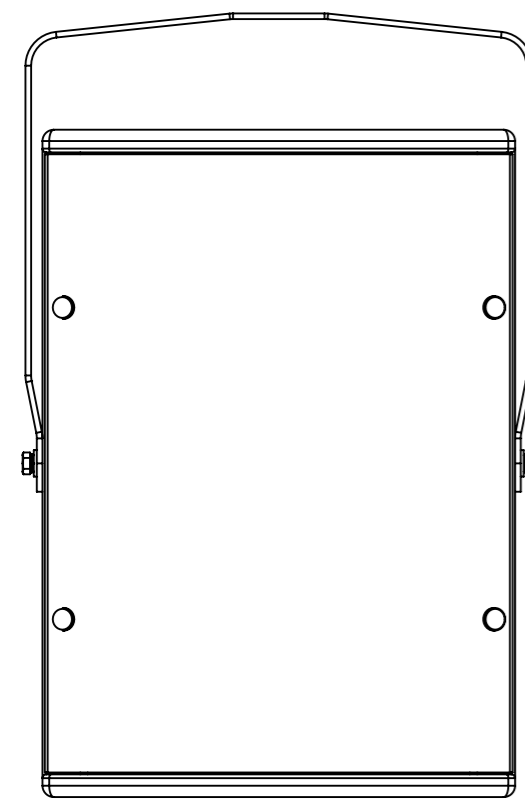
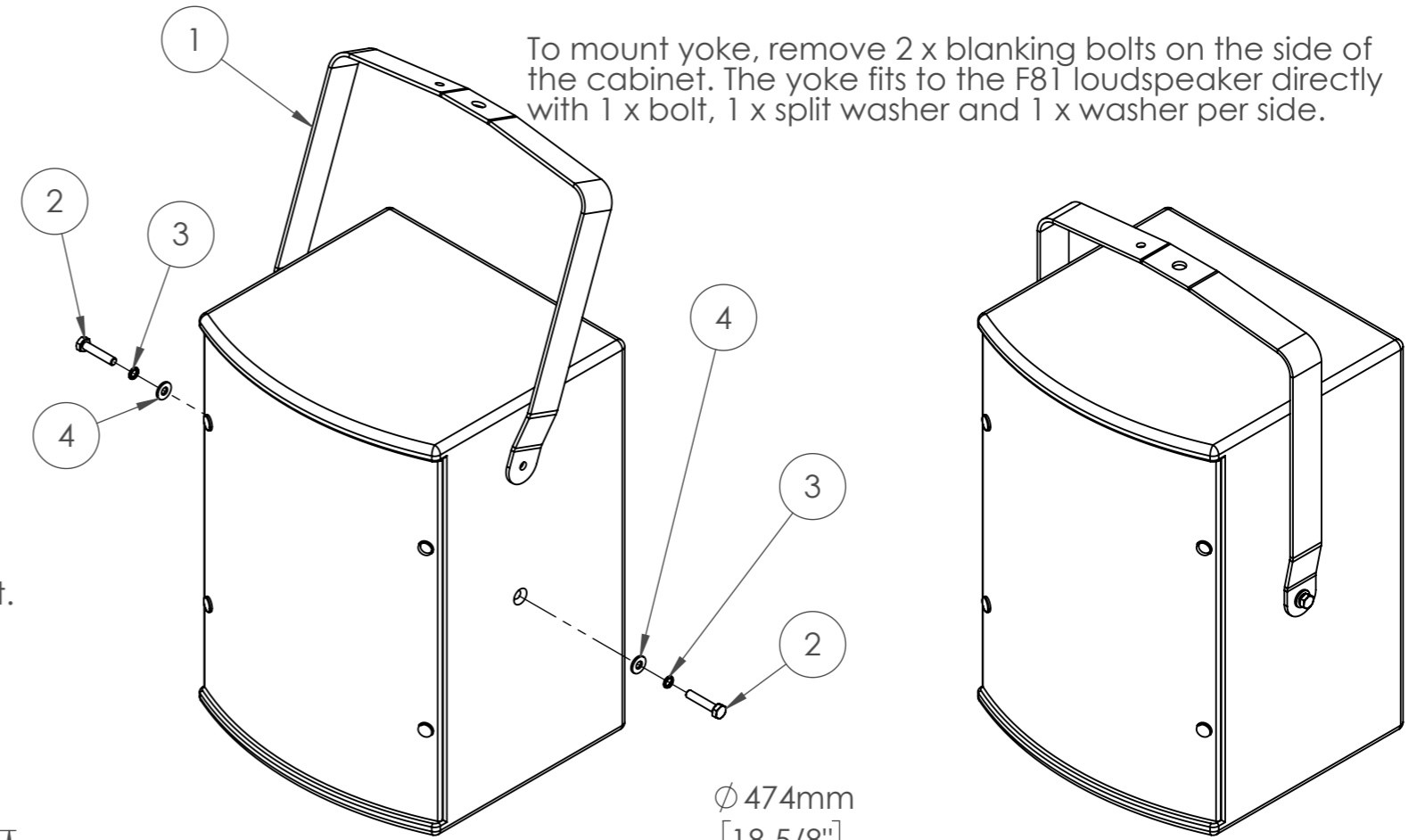
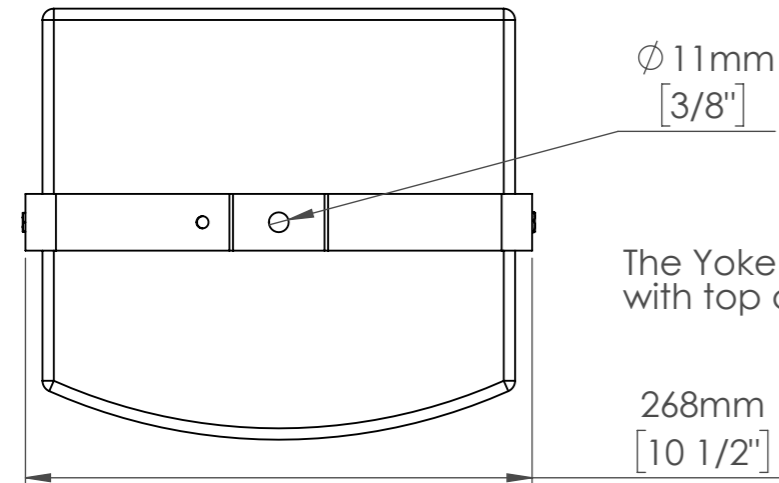


ITEM	DESCRIPTION	QUANTITY
1	F81 YOKE	1
2	M6 X 20mm PAN HEAD BOLT	2
3	M6 C-FORM WASHER	2
4	M6 SPLIT WASHER	2

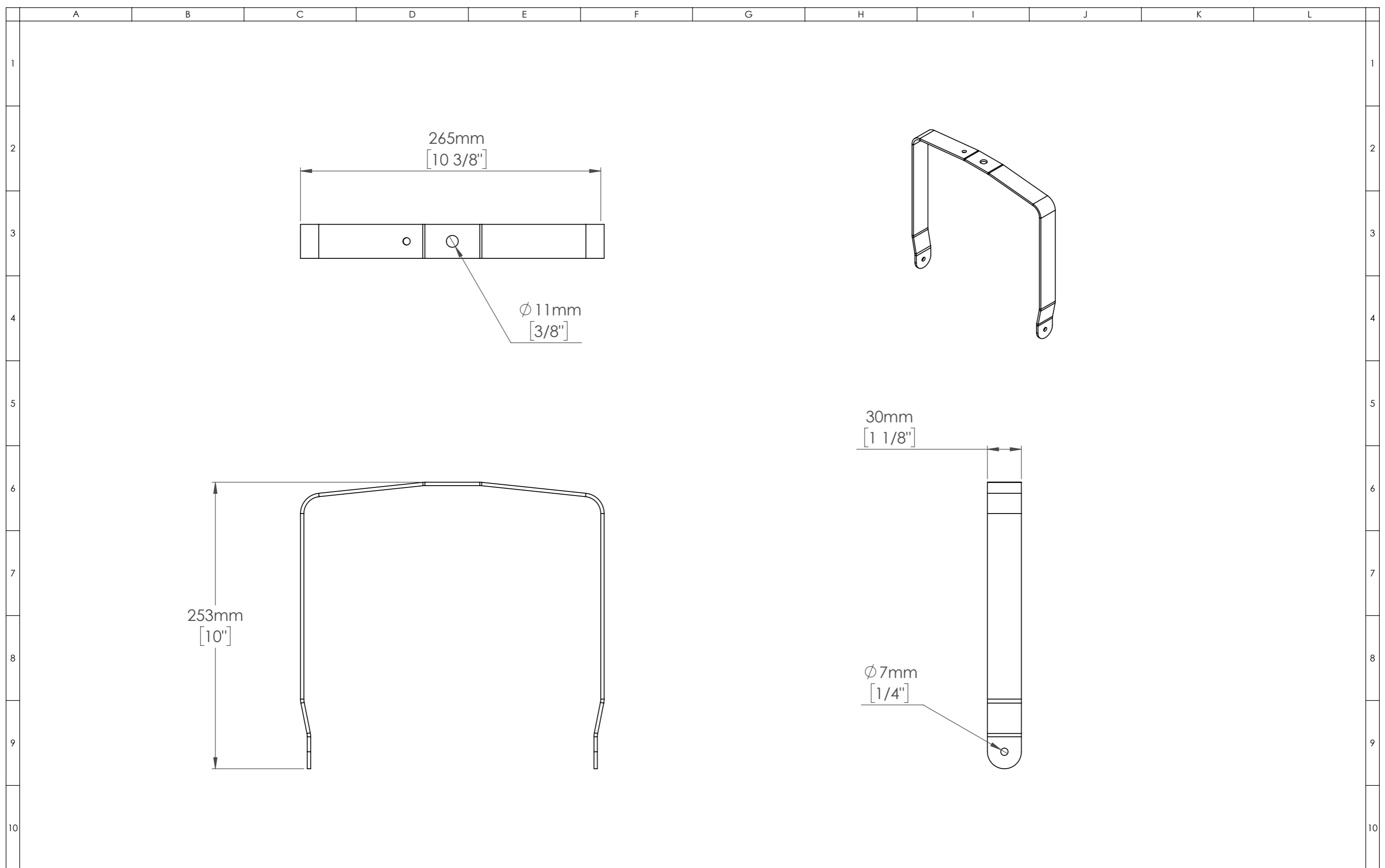


**Funktion-One Research LTD**  
 Hoyle, Beare Green, Dorking, Surrey, RH5 4PS, UK  
 mail@funktion-one.com +44 (0)1306 712820

Sheet: Detail Drawing  
 Funktion-One Product Detail Drawing

A3 Sheet Scale: 1:4  
 Filename:

Drawn By: Mike Igglesden 26/04/2023  
**YK-F81-F1-AD=T0057-01**



**Funktion-One Research LTD**  
 Hoyle, Beare Green, Dorking, Surrey, RH5 4PS, UK  
 mail@funktion-one.com +44 (0)1306 712820

Sheet: Technical drawing  
 Funktion-One Product Technical Drawing

A3 Sheet Scale: 1:3  
 Filename:

Drawn By: Mike Igglesden 26/04/2023  
**YK-F81-F1-AD=T0057-01**

