

YK-UPSM15

Yoke kit for suspension and support of the PSM15 with maximum flexibility.

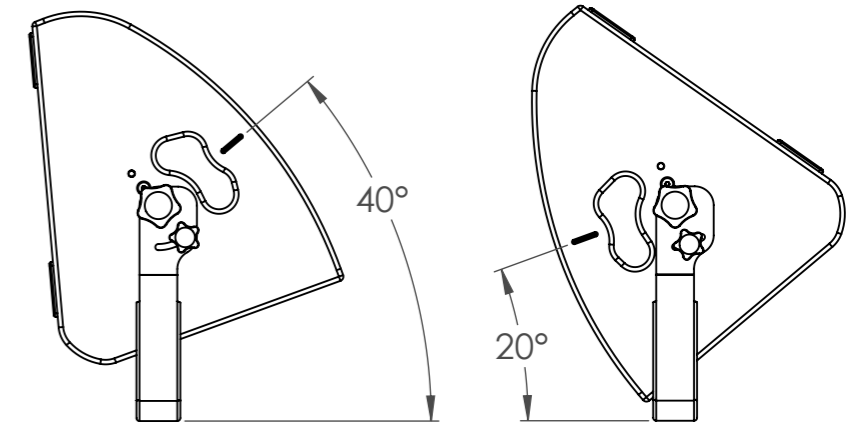
PSM15 Universal Yoke with 3 x M12 Mounting points

1 x M8 x 25mm Hand bolt (locking bolt)

2 x M10 x 35mm Hand Bolt

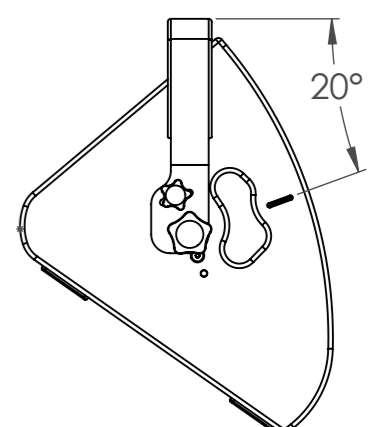
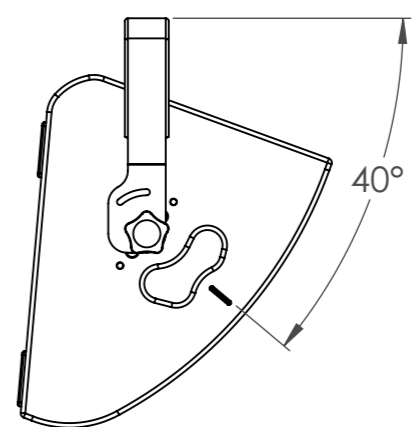
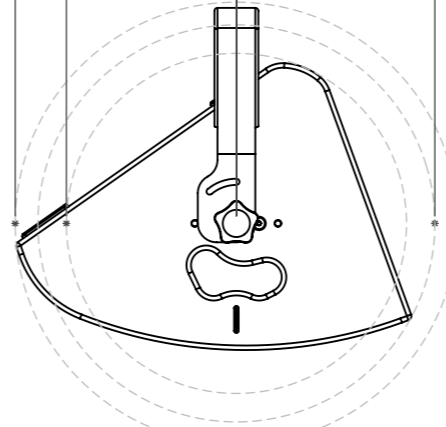
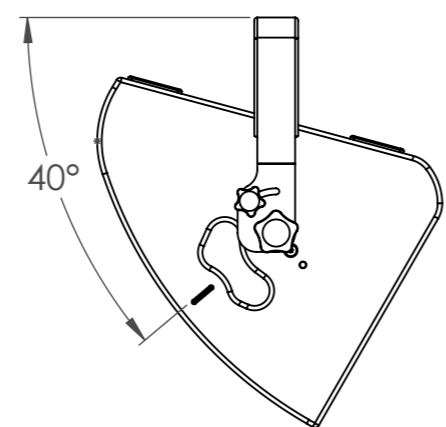
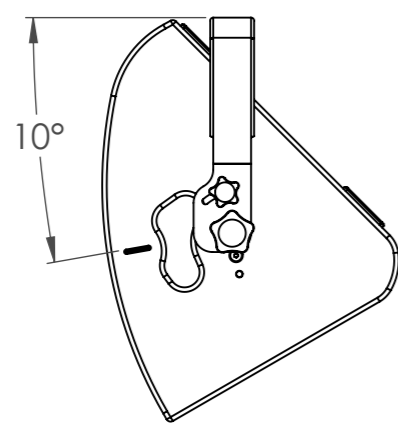
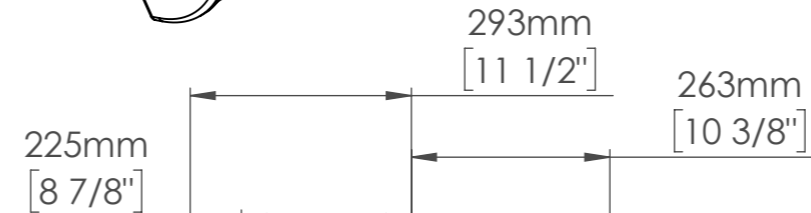
PSM15 Loudspeaker (not included)

When supporting from below, -20° to +40° is possible with the use of the M8 Locking bolt.



The Yoke fits on the loudspeaker in both orientations.

The locking bolt side depends on the required tilt angle.



With the ports up, -10° to -40° is possible with the locking bolt

With the ports down, +20° to -40° is possible with the locking bolt

Funktion-One Research LTD  
 Hoyle, Beare Green, Dorking, Surrey, RH5 4PS, UK  
 mail@funktion-one.com +44 (0)1306 712820

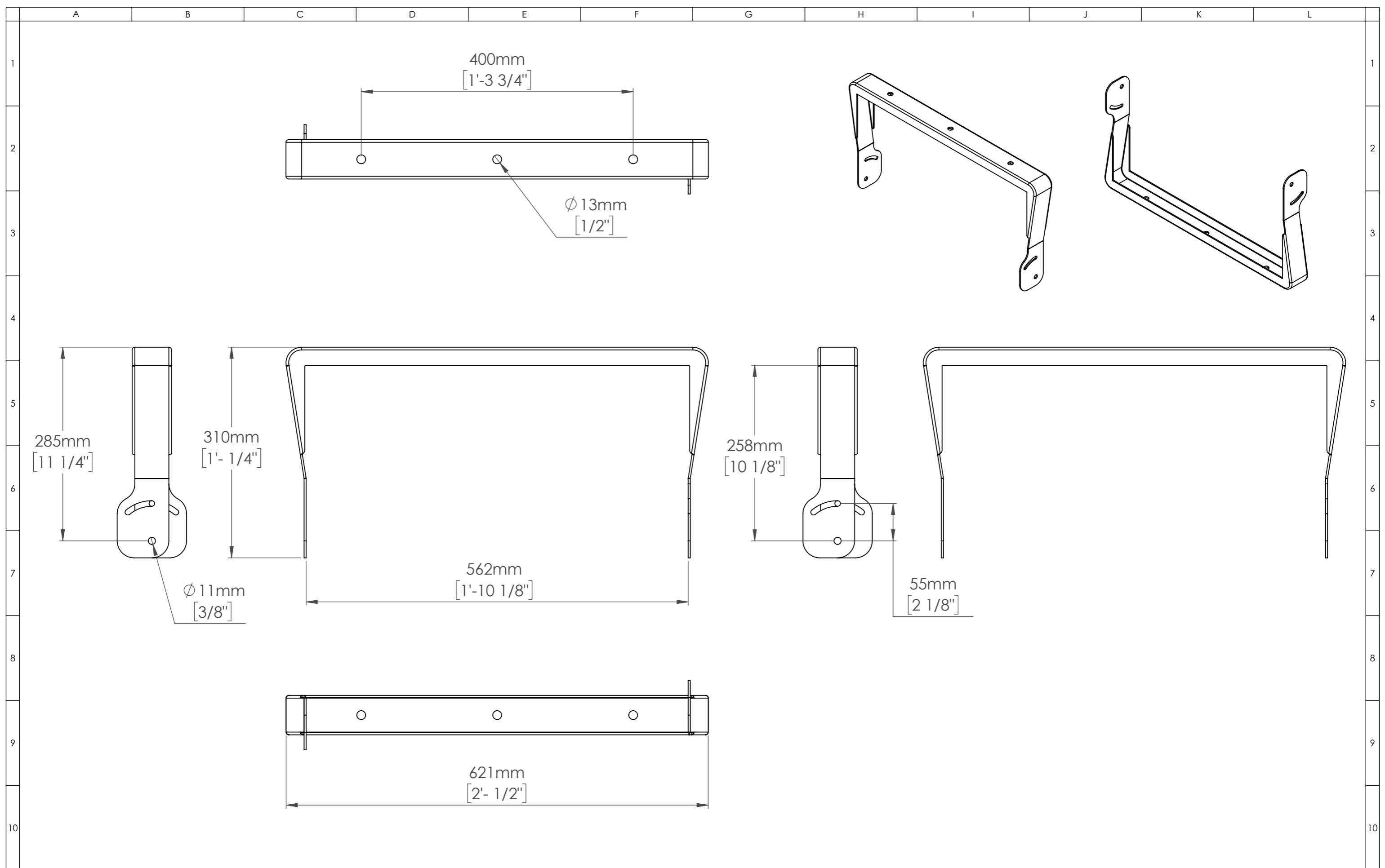
Sheet: Detail Drawing  
 Funktion-One Accessory Drawing

A3 Sheet Scale: 1:10

Drawn By: Mike Igglesden 27/11/2025

Filename:

YK-UPSM15-F1-AD=T0326-00



<b>Funktion-One Research LTD</b> Hoyle, Beare Green, Dorking, Surrey, RH5 4PS, UK mail@funktion-one.com +44 (0)1306 712820				Sheet: Technical Drawing Funktion-One Accessory Drawing			A3 Sheet Scale: 1:5 Filename:		Drawn By: Mike Igglesden 27/11/2025		<b>YK-UPSM15-F1-AD=T0326-00</b>	
--	--	--	--	--	--	--	----------------------------------	--	--	--	---------------------------------	--

