

PSM15 Simple Yoke
with 3 x M12 mounting points

1 x M8 x 35mm
Bolt and Washer
(locking bolt)

2 x M10 x 35mm
Bolts with Washers

PSM15 Loudspeaker
(not included)

YK-SPSM15
Yoke kit for suspension of the PSM15 with lowest possible profile.

The Yoke fits on the
loudspeaker in both
orientations.

The locking bolts side
depends on the required
tilt angle

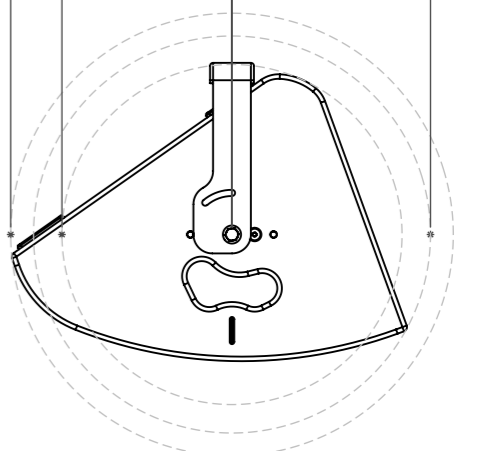
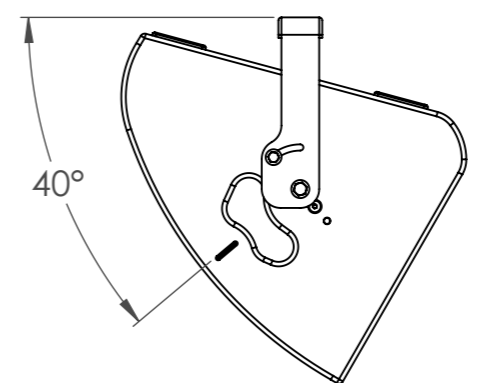
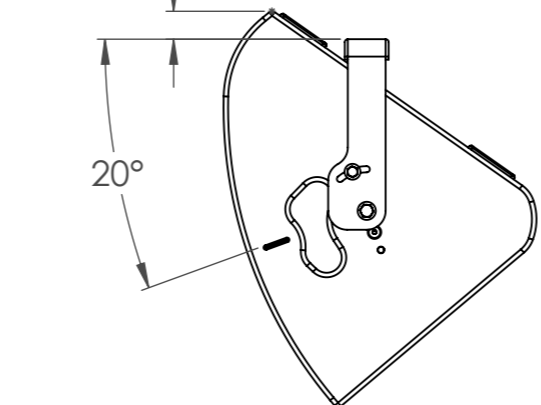
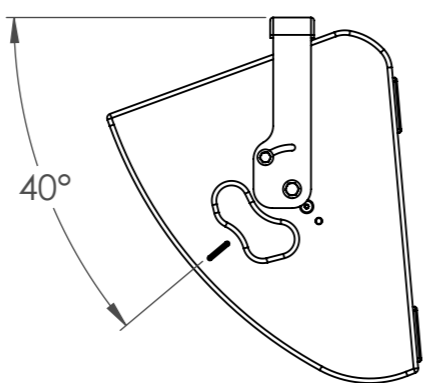
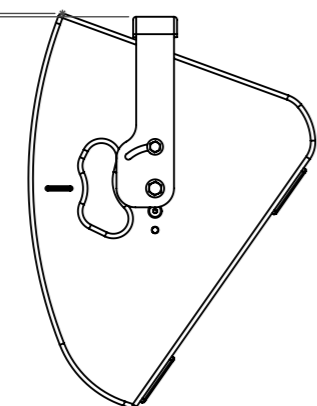
4mm
[1/8"]

37mm
[1 1/2"]

293mm
[11 1/2"]

263mm
[10 3/8"]

225mm
[8 7/8"]



With the ports down, 0° to -40°
is possible with the locking bolt

With the ports up, 0° to -40° is
possible with the locking bolt

With the ports up, -40° to -90° is
possible without the locking bolt

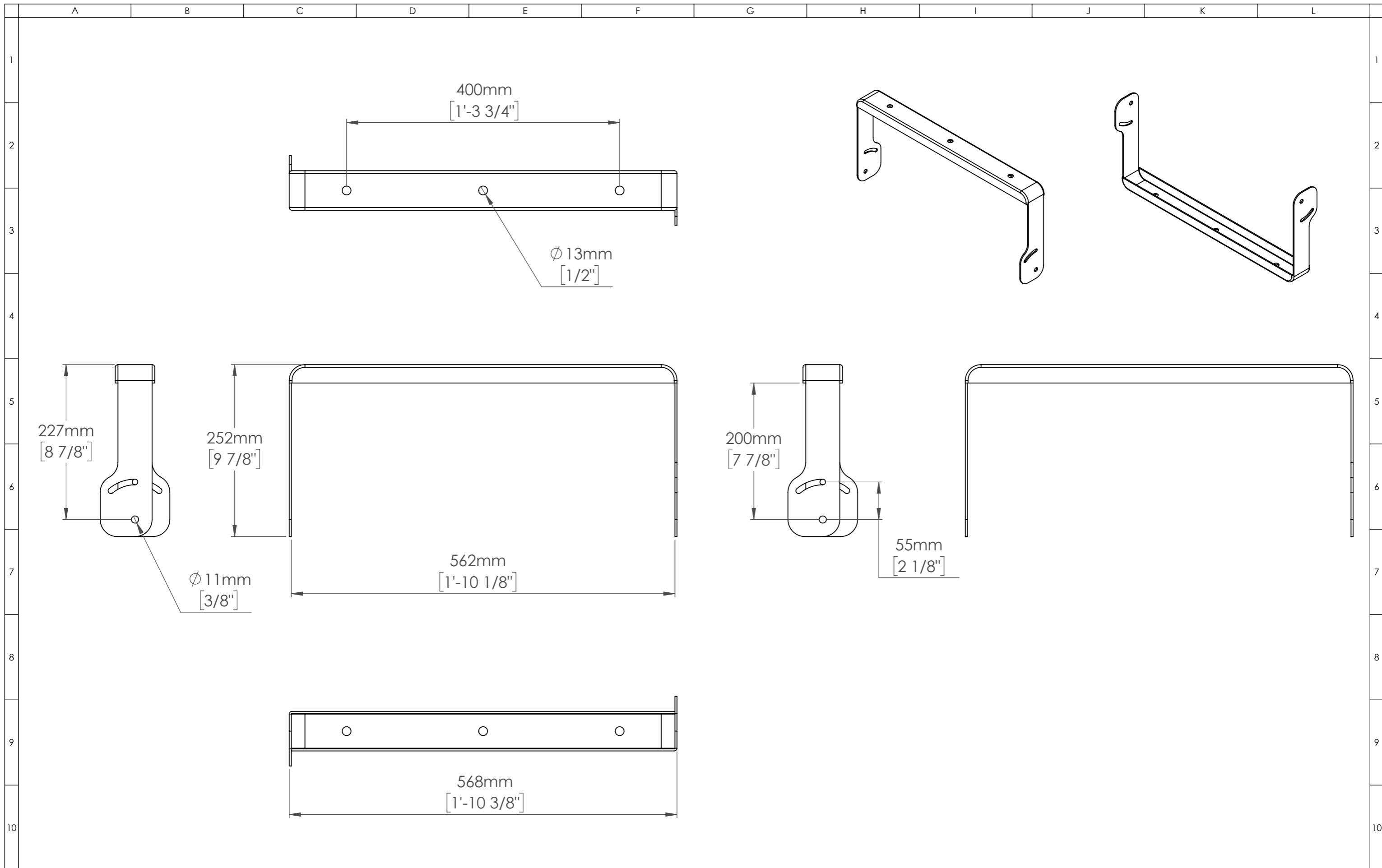
Funktion-One Research LTD
Hoyle, Beare Green, Dorking, Surrey, RH5 4PS, UK
mail@funktion-one.com +44 (0)1306 712820

Sheet: Detail Drawing
Funktion-One Accessory Drawing

A3 Sheet Scale: 1:10

Drawn By: Mike Igglesden 28/11/2025

Filename: YK-SPSM15-F1-AD=T0325-00



Funktion-One Research LTD Hoyle, Beare Green, Dorking, Surrey, RH5 4PS, UK mail@funktion-one.com +44 (0)1306 712820				Sheet: Technical Drawing Funktion-One Accessory Drawing			A3 Sheet Scale: 1:5 Filename:		Drawn By: Mike Igglesden 28/11/2025		YK-SPSM15-F1-AD=T0325-00	
----------------------------------------------------------------------------------------------------------------------------------	--	--	--	------------------------------------------------------------	--	--	----------------------------------	--	----------------------------------------	--	---------------------------------	--

