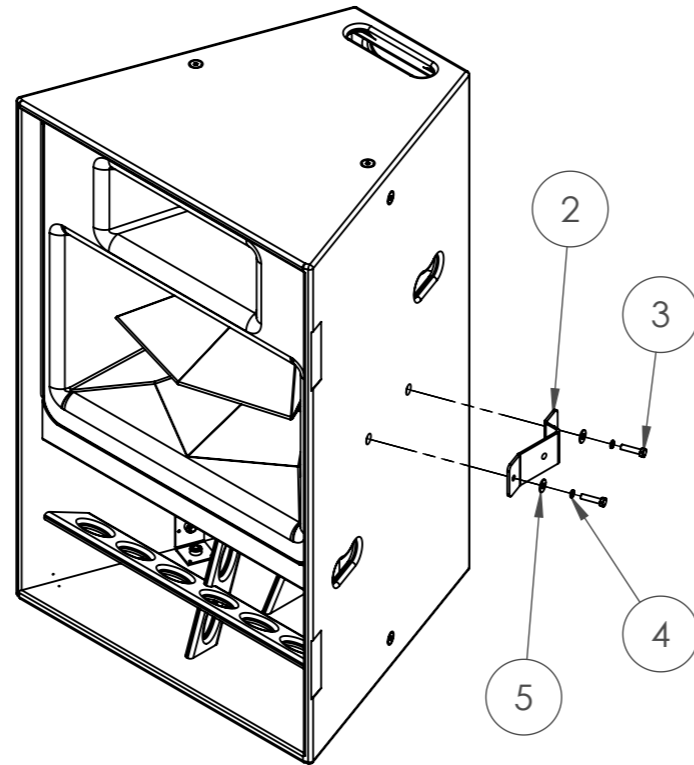
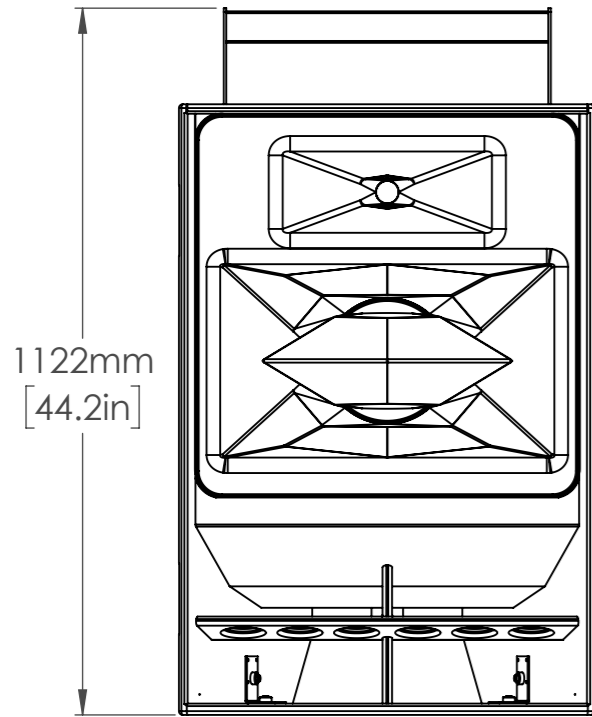
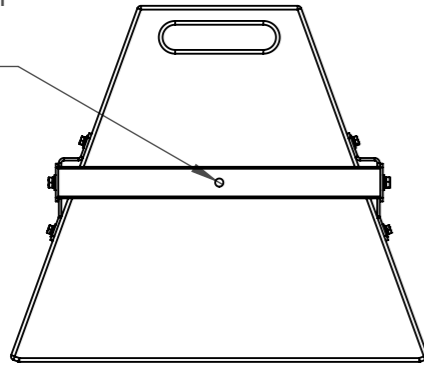
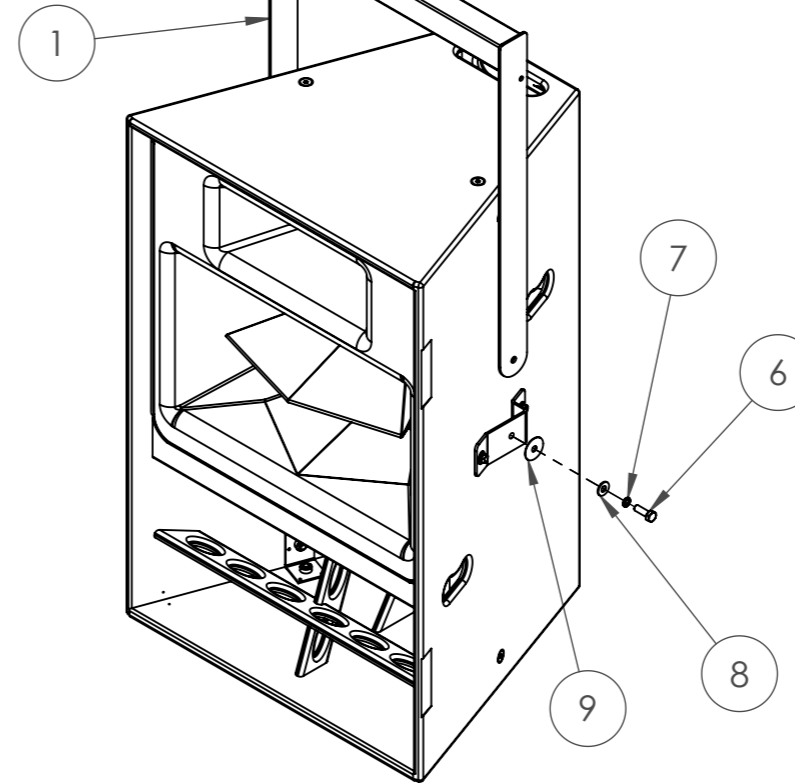


Ø 13mm
[0.5in]



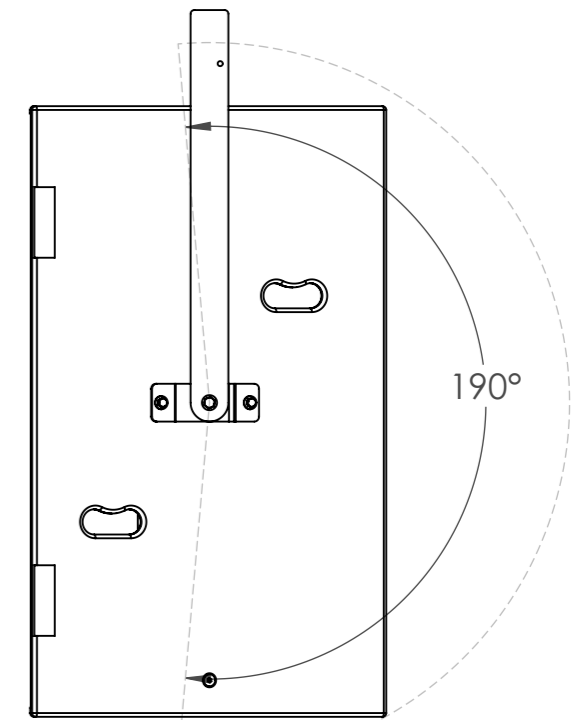
To mount the SB6 squaring brackets, remove the 4 x M8 blanking bolts on the cabinet. Fit the brackets with 2 x M8 x 35mm Hex Bolts, split washer & C-form washer per bracket. Keep the blanking bolts as these are required to seal the cabinet should you remove the brackets.



The YS6 yoke fits to the brackets with 1 x M10 x 30mm hex bolt, 1 x split washer and 1 x C-form washer per side. The nitrile washer fits between the yoke and the bracket.

Initially nip tight the bolts, adjust to required angle and then tighten M10 bolts to secure. The Yoke can mount to trussing with a scaff' clamp. M12 and additional safety line recommended.

The yoke can rotate 190 degrees around the back of the cabinet. This allows for up to 5 degrees of upward tilt and any amount of downward tilt. Often optimum installation is with the cabinet upside down.



ITEM	DESCRIPTION	QUANTITY
1	YS6 - EVO6E YOKE	1
2	SB6 - 20 DEGREE SQUARING BRACKET WITH M10 BUSH	2
3	M8 X 35mm HEX BOLT	4
4	M8 SPLIT WASHER	4
5	M8 C-FORM WASHER	4
6	M10 X 30mm HEX BOLT	2
7	M10 SPLIT WASHER	2
8	M10 C-FORM WASHER	2
9	M10 NITRILE WASHER	2