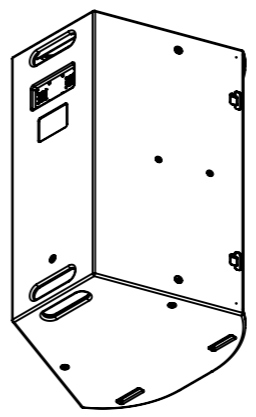
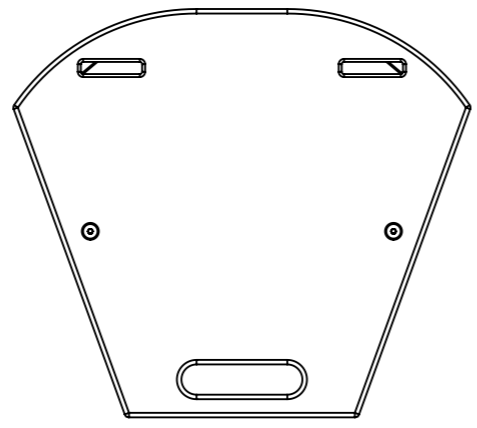
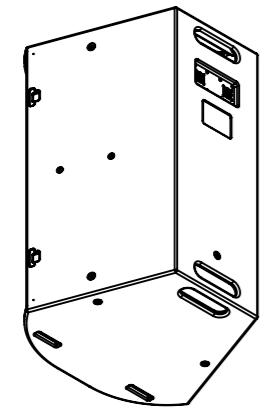
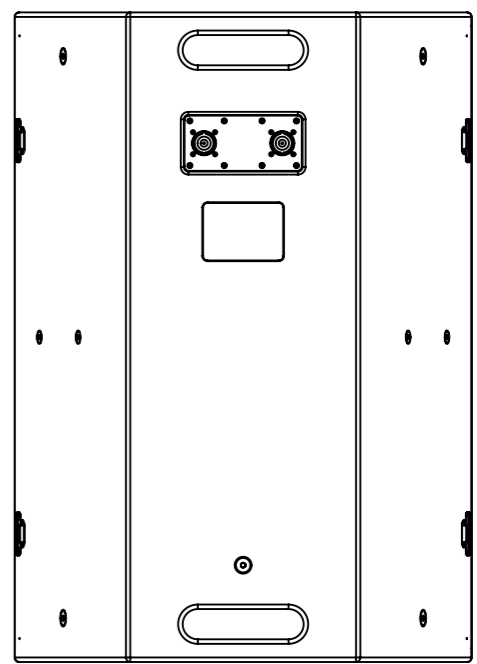
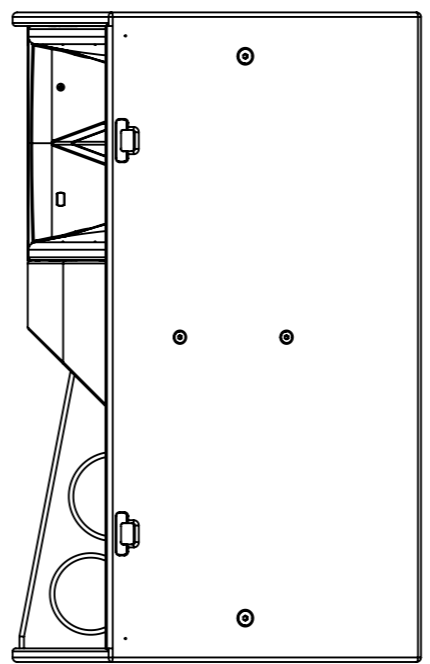
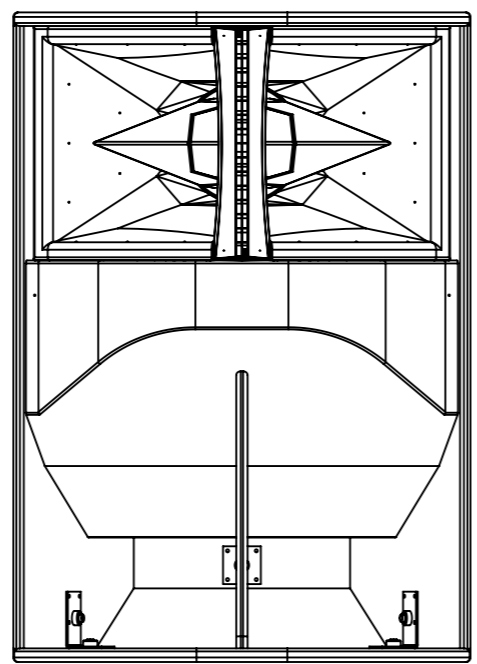
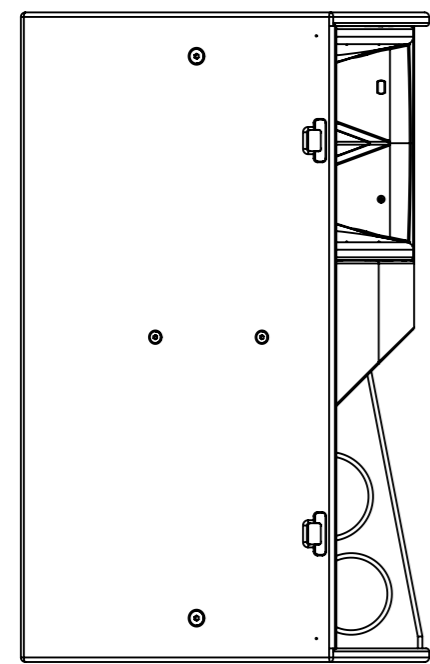
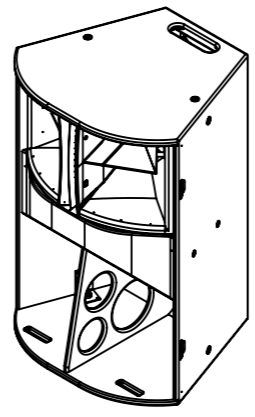
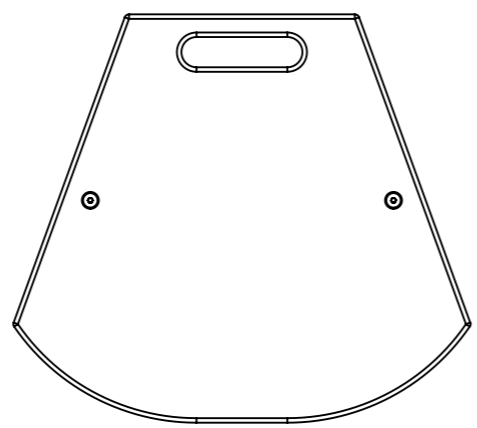
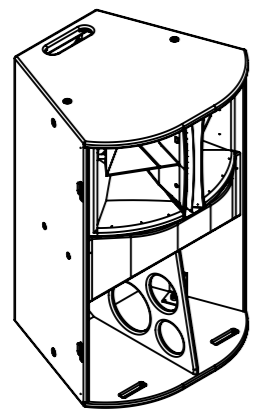


Funktion-One Research LTD
 Hoyle, Beare Green, Dorking, Surrey, RH5 4PS, UK
 mail@funktion-one.com +44 (0)1306 712820

Sheet:Dimensions
 Funktion-One Product Technical Drawing

A3 Sheet Scale: 1:10
 Filename:

Drawn By: Mike Igglesden 22/08/2021
 EvoX-F1-TD=T0001-00

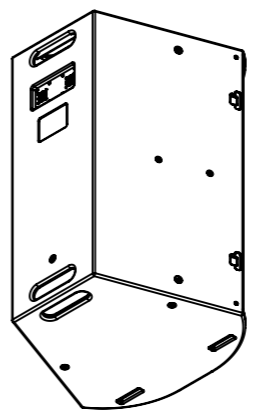
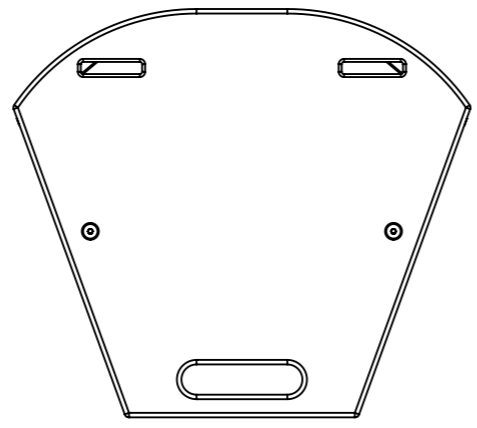
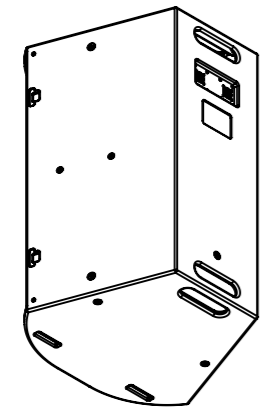
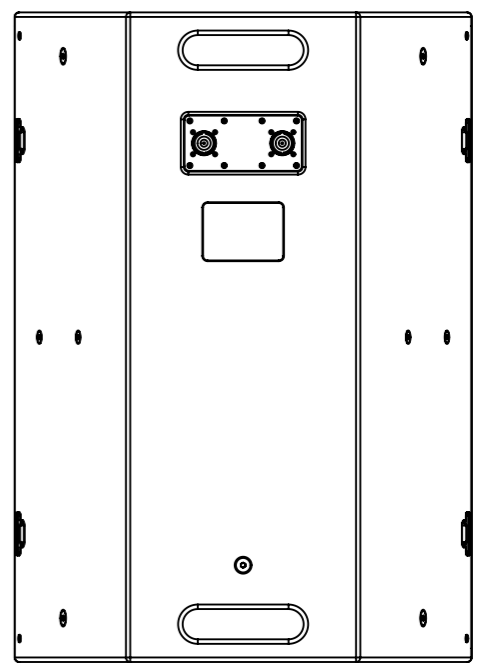
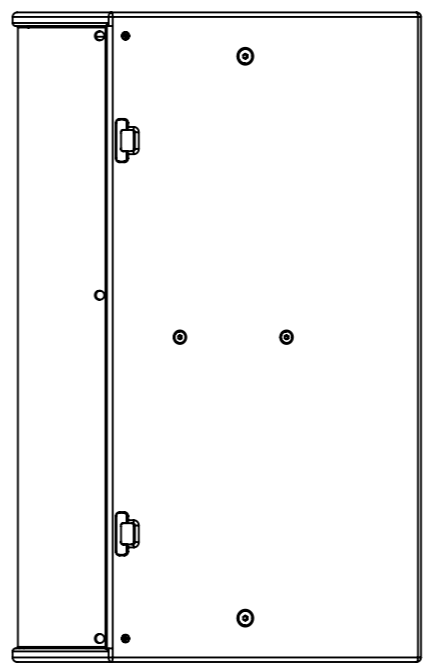
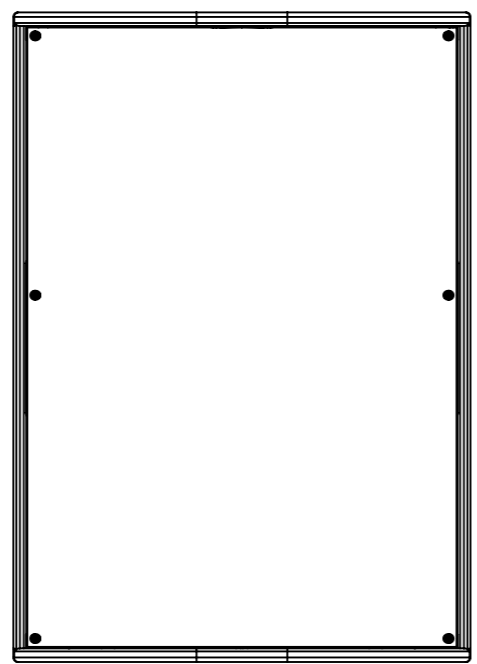
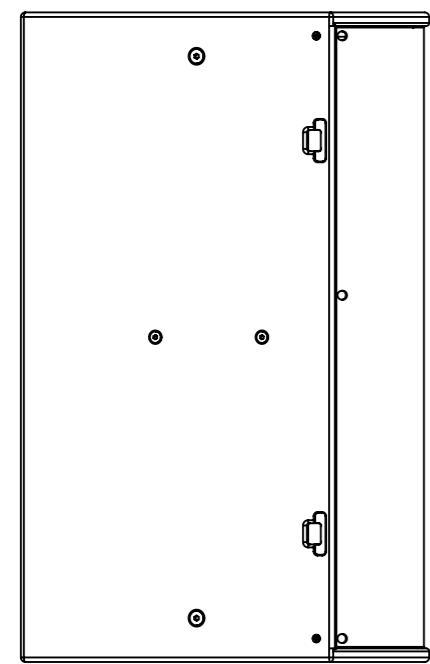
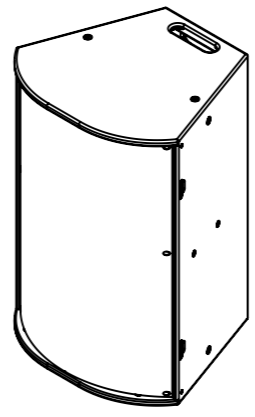
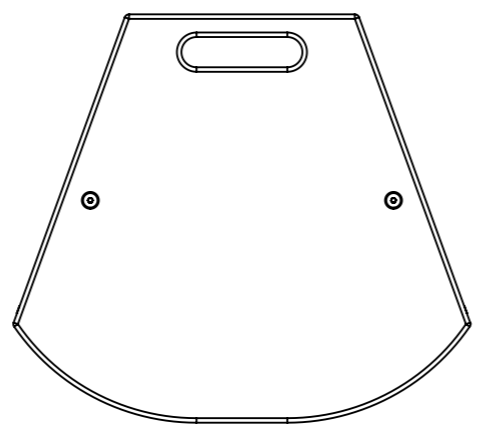
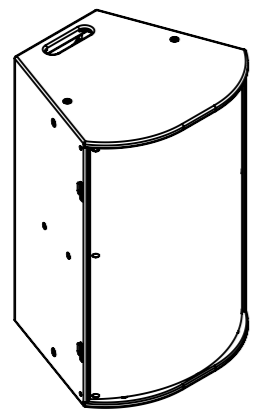


Funktion-One Research LTD
 Hoyle, Beare Green, Dorking, Surrey, RH5 4PS, UK
 mail@funktion-one.com +44 (0)1306 712820

Sheet: Standard
 Funktion-One Product Technical Drawing

A3 Sheet Scale: 1:10
 Filename:

Drawn By: Mike Igglesden 22/08/2021
 EvoX-F1-TD=T0001-00

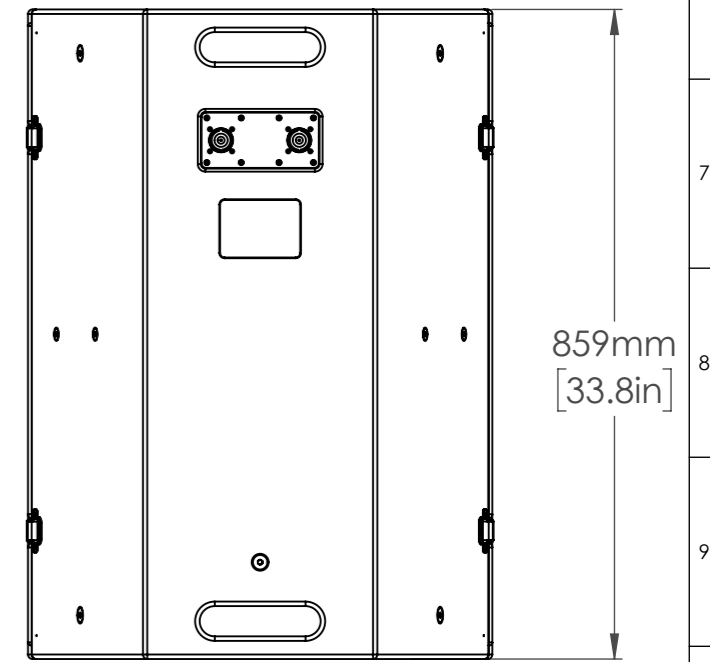
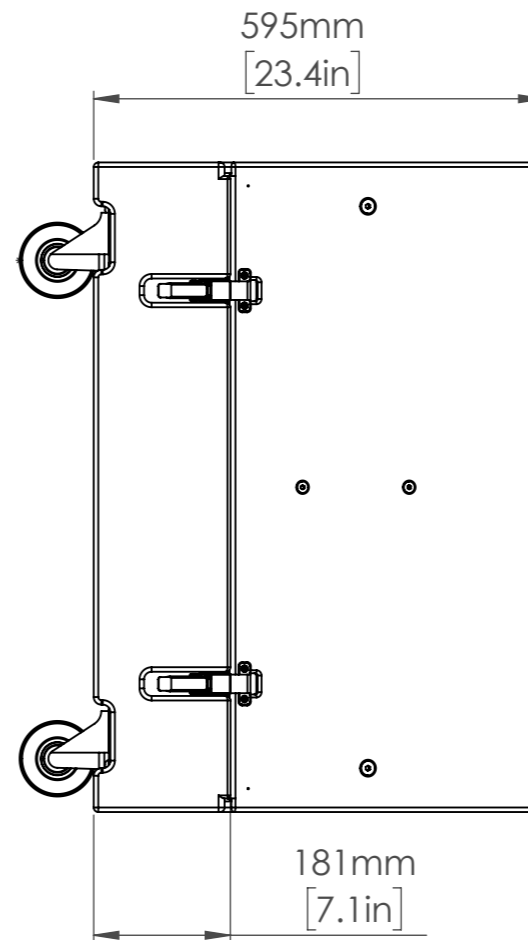
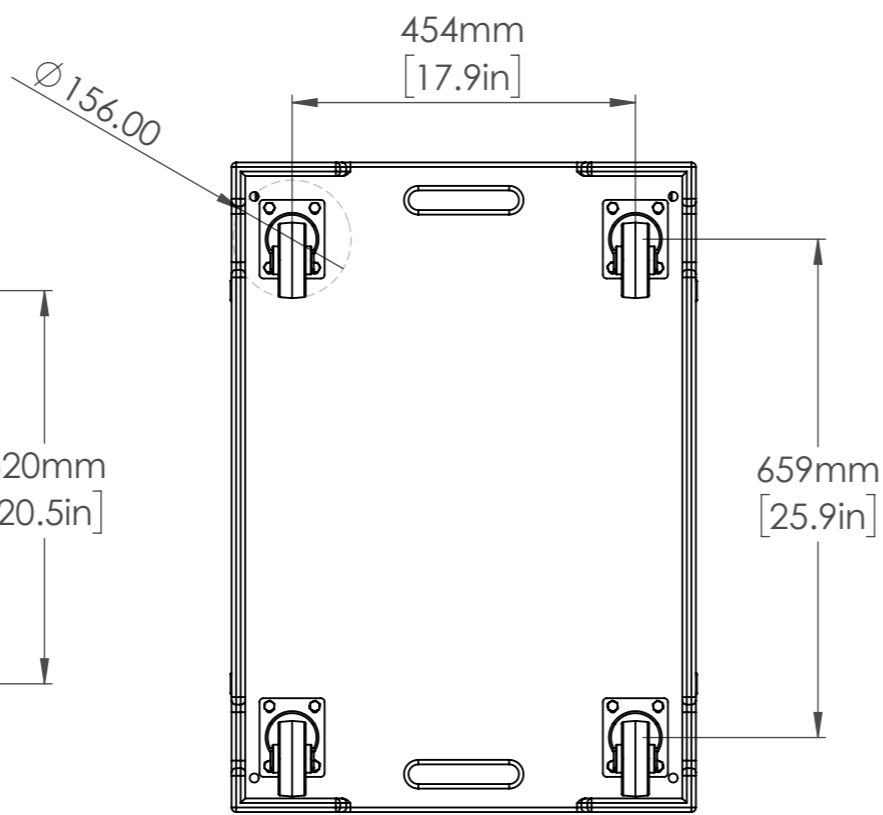
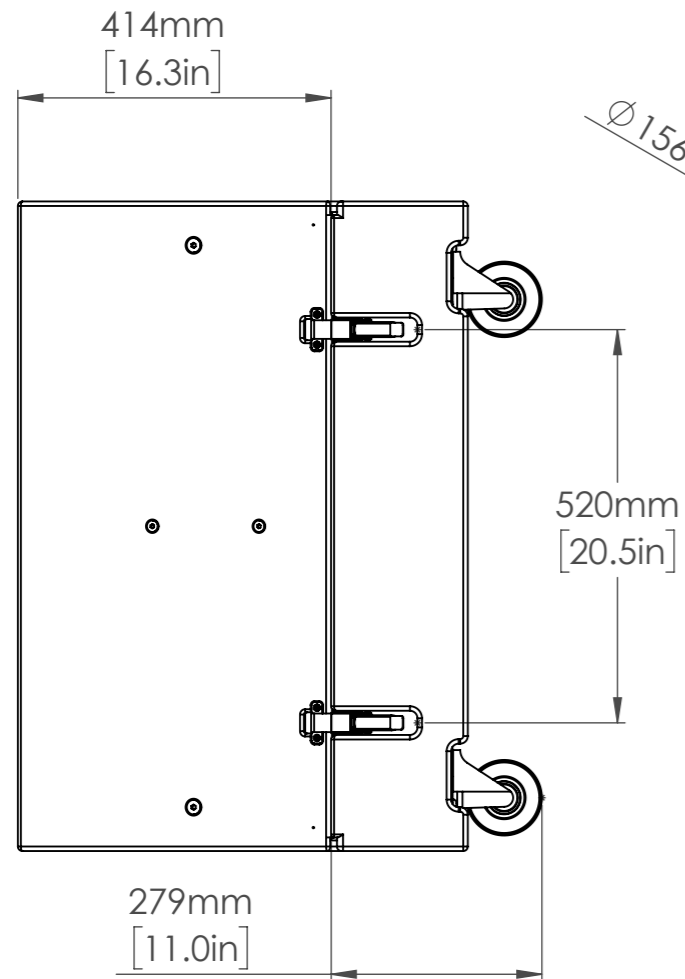
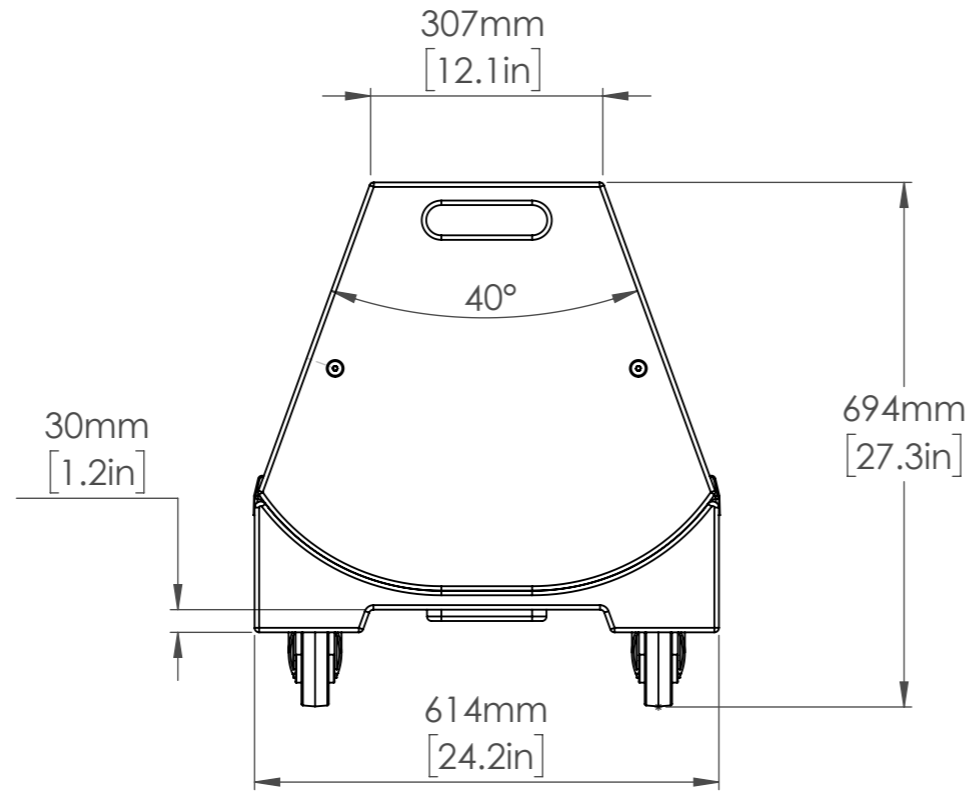
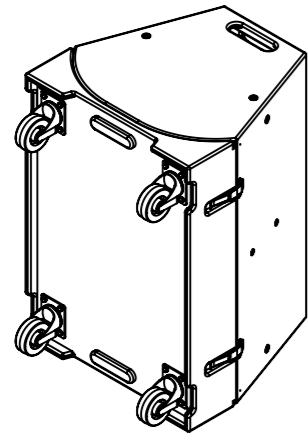


Funktion-One Research LTD
 Hoyle, Beare Green, Dorking, Surrey, RH5 4PS, UK
 mail@funktion-one.com +44 (0)1306 712820

Sheet:Grille
 Funktion-One Product Technical Drawing

A3 Sheet Scale: 1:10
 Filename:

Drawn By: Mike Igglesden 22/08/2021
 EvoX-F1-TD=T0001-00



Funktion-One Research LTD
 Hoyle, Beare Green, Dorking, Surrey, RH5 4PS, UK
 mail@funktion-one.com +44 (0)1306 712820

Sheet: Wheel Board
 Funktion-One Product Technical Drawing

A3 Sheet Scale: 1:10
 Filename:

Drawn By: Mike Igglesden 22/08/2021

EvoX-F1-TD=T0001-00