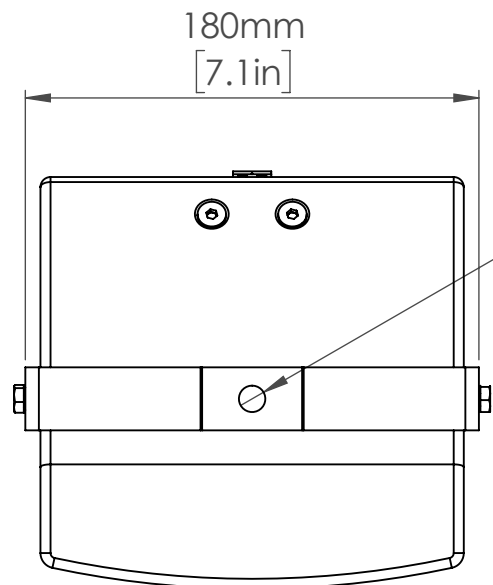
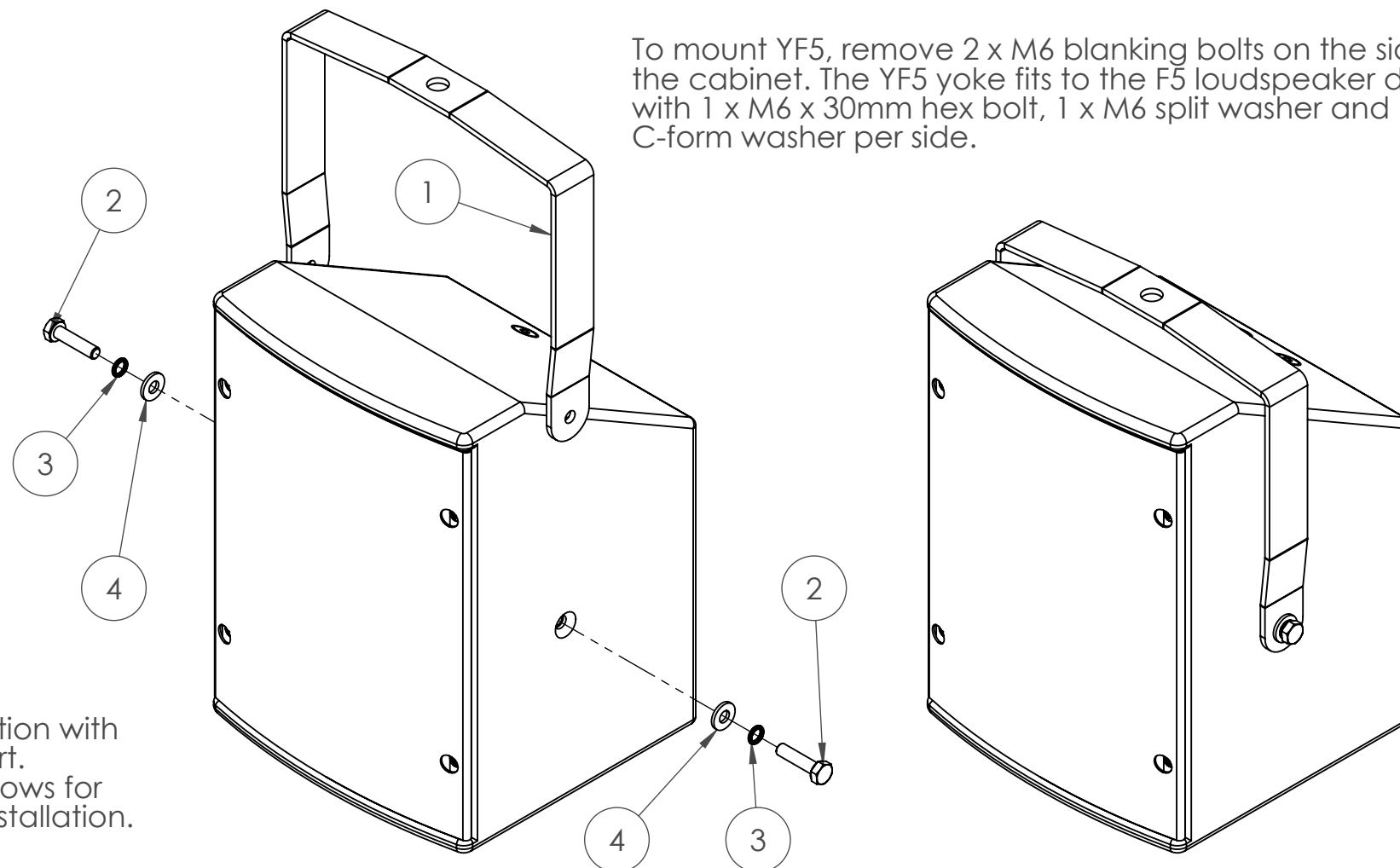


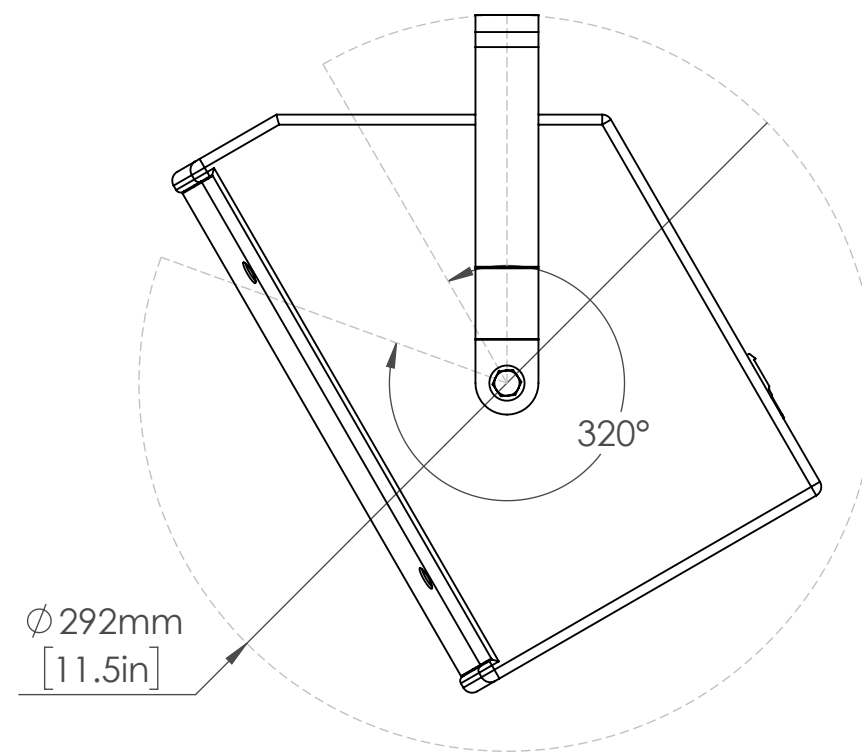
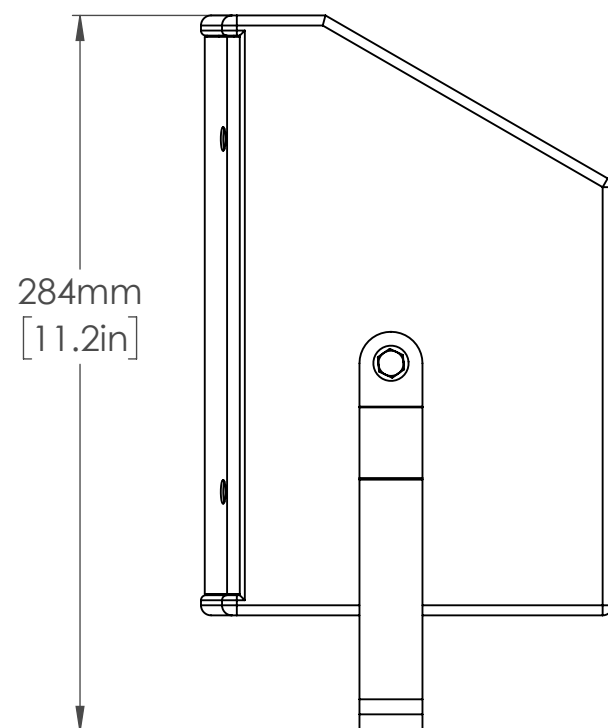
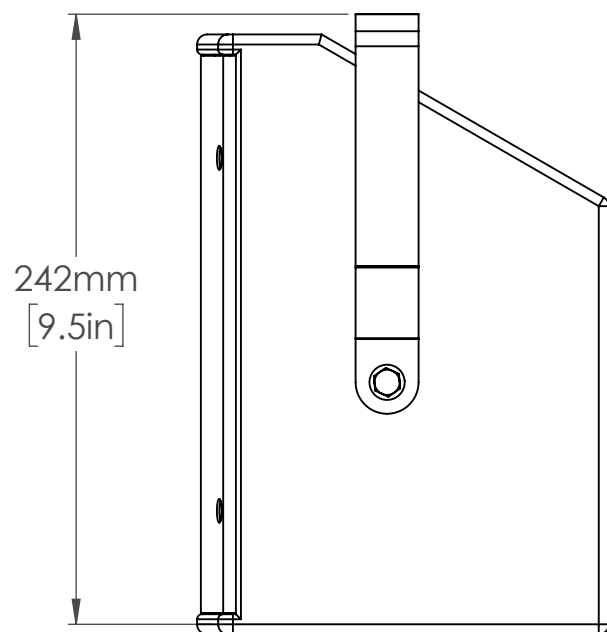
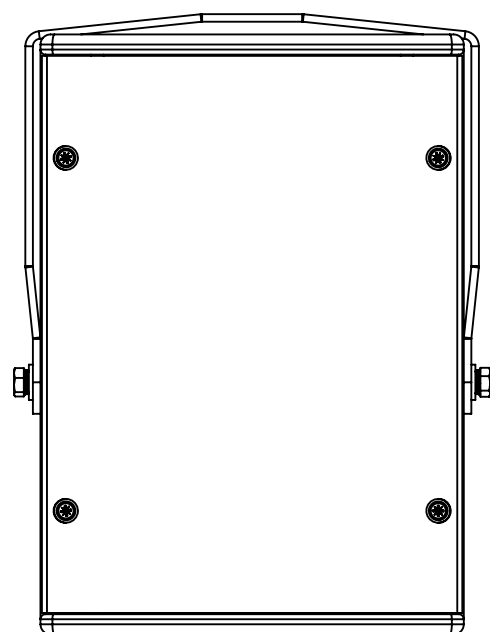
ITEM	DESCRIPTION	QUANTITY
1	YF5 - F5 YOKE	1
2	M6 X 30mm HEX BOLT	2
3	M6 C-FORM WASHER	2
4	M6 SPLIT WASHER	2



The Yoke provides 320° of rotation with top down or bottom up support. The offset centre of rotation allows for close mounting for discreet installation.



To mount YF5, remove 2 x M6 blanking bolts on the side of the cabinet. The YF5 yoke fits to the F5 loudspeaker directly with 1 x M6 x 30mm hex bolt, 1 x M6 split washer and 1 x M6 C-form washer per side.



Funktion-One Research LTD
 Hoyle, Beare Green, Dorking, Surrey, RH5 4PS, UK
 mail@funktion-one.com +44 (0)1306 712820

Sheet: Overview
 Funktion-One Product Detail Drawing

A3 Sheet Scale: 1:3
 Filename:

Drawn By: Mike Igglesden 14/12/2021

F5+YF5-F1-DD=T0056-00